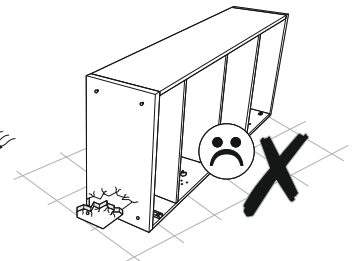
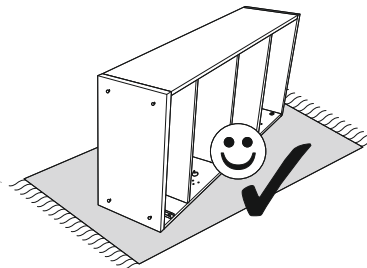
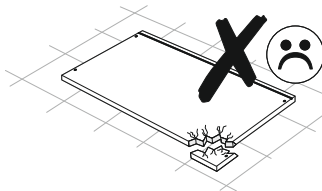
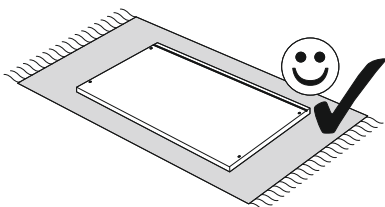
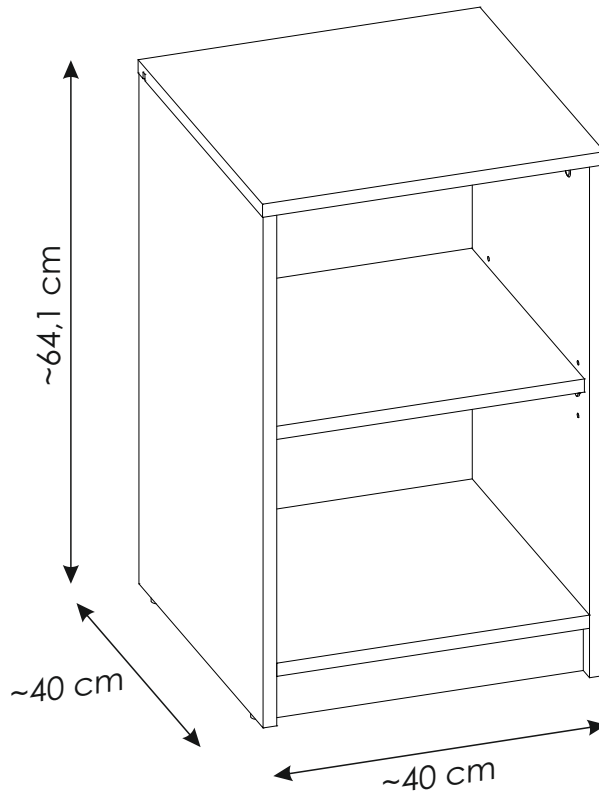
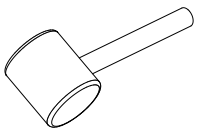
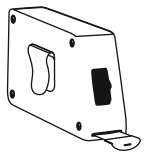
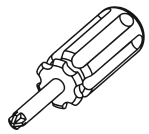
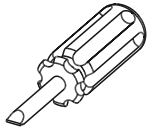
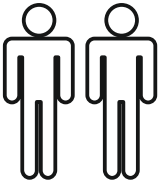
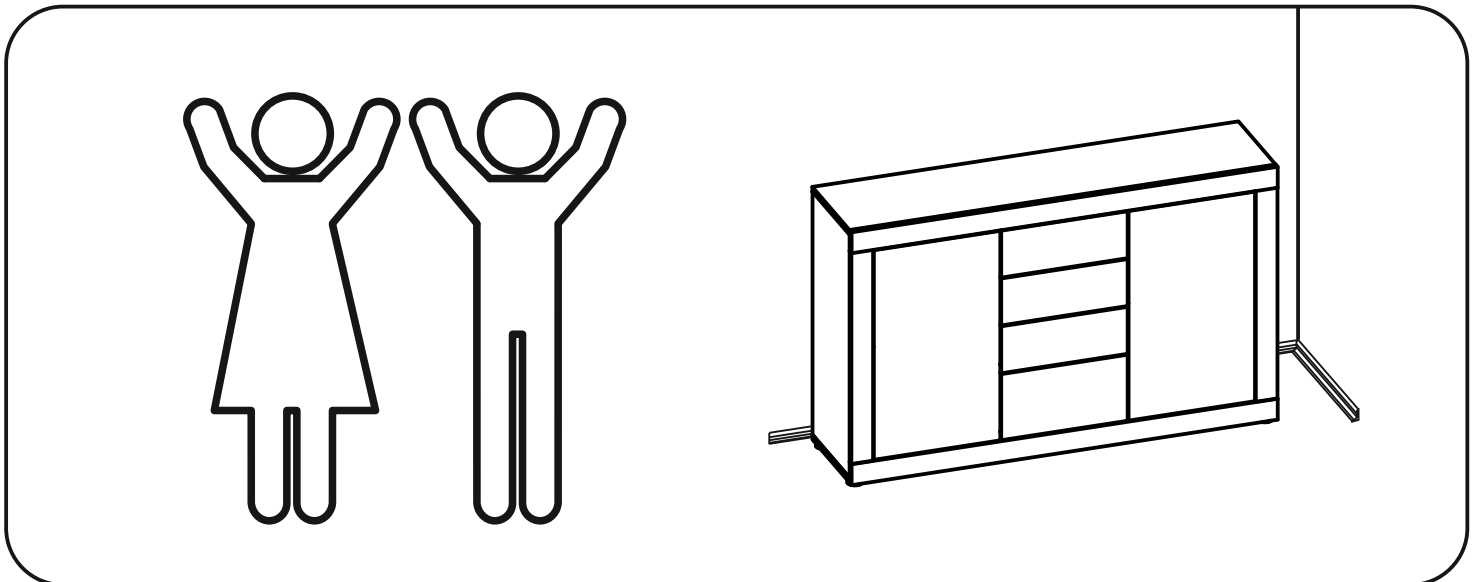
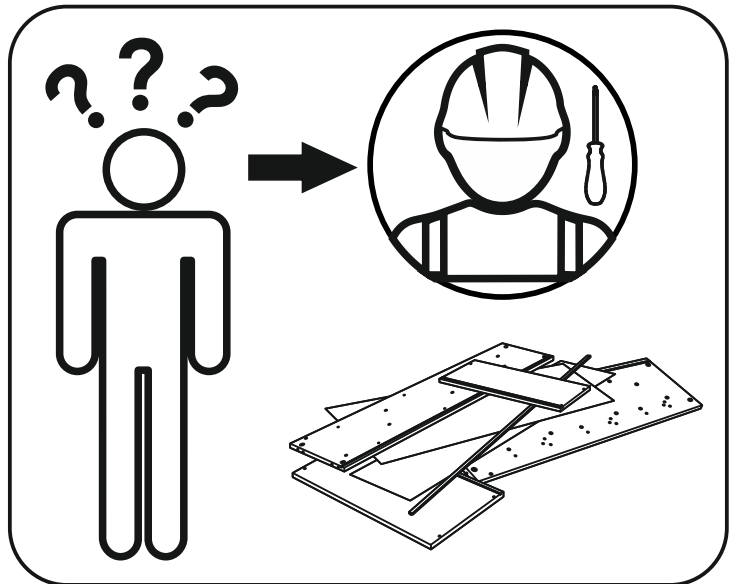
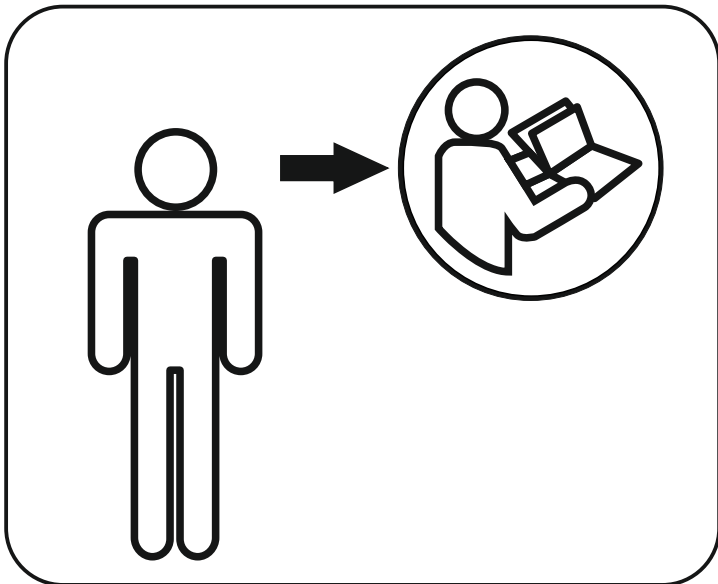
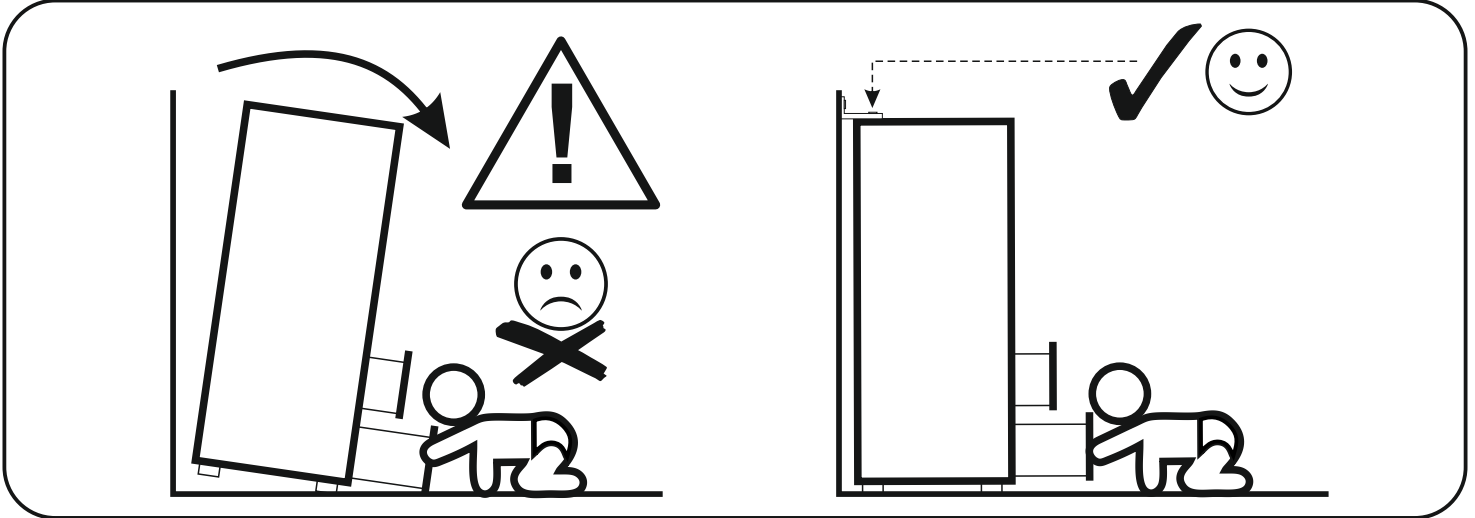
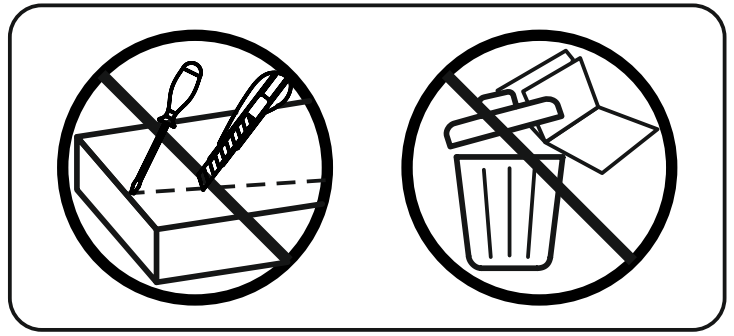
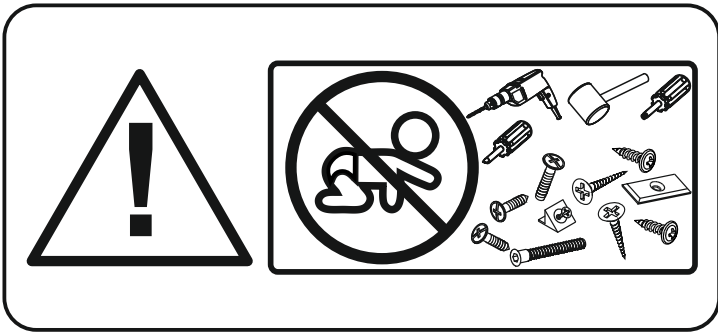


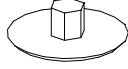

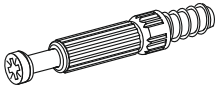
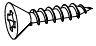
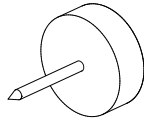
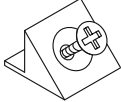
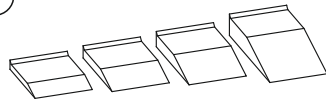


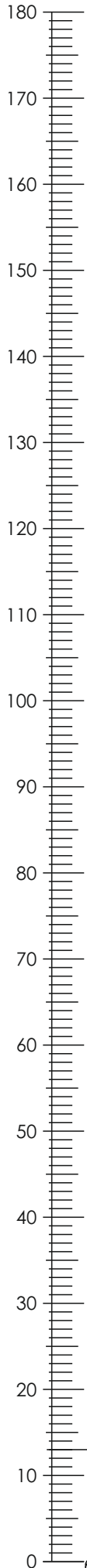
FANR02



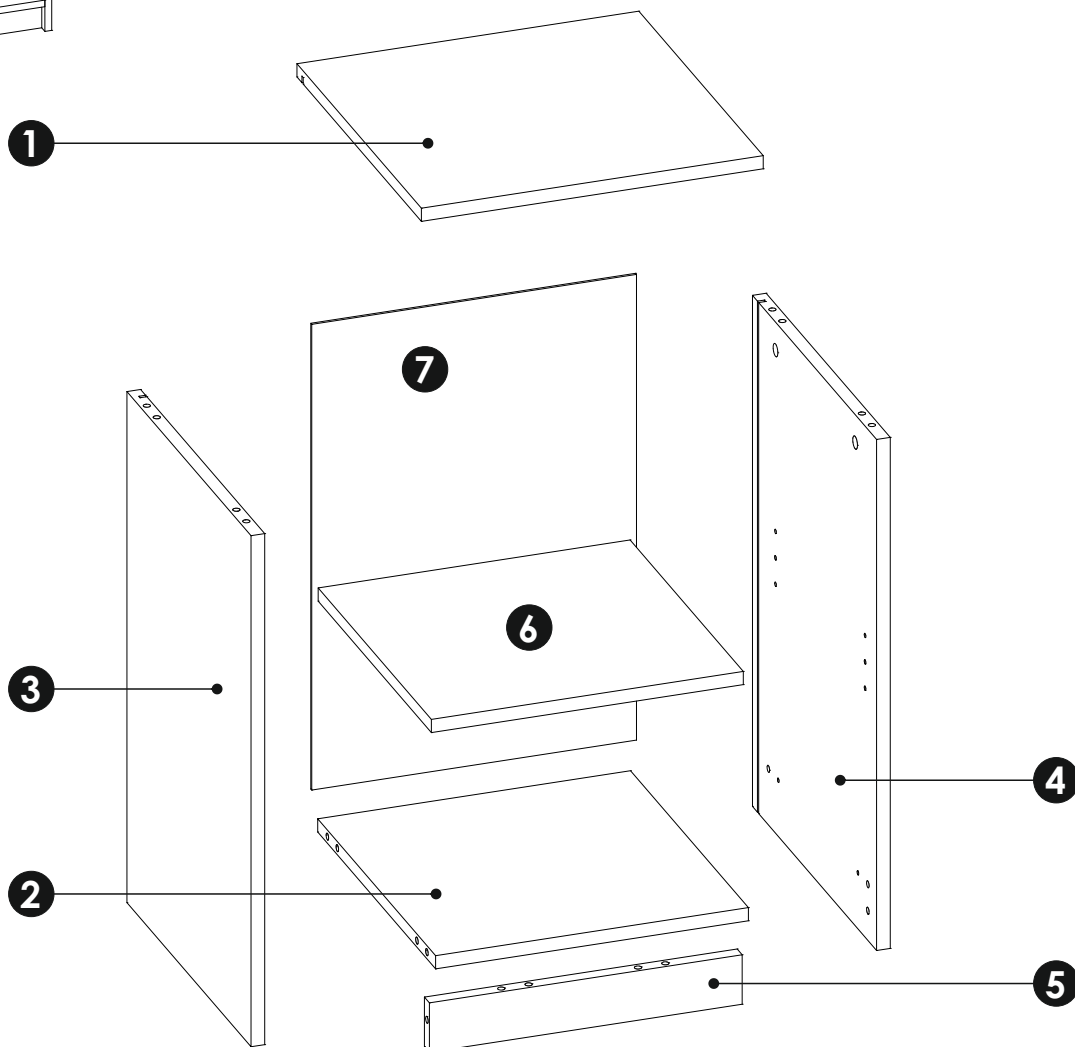
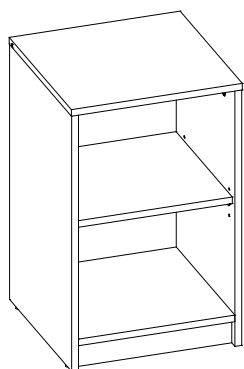


FANR02

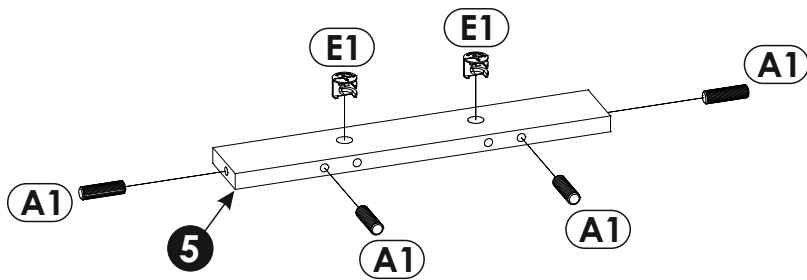
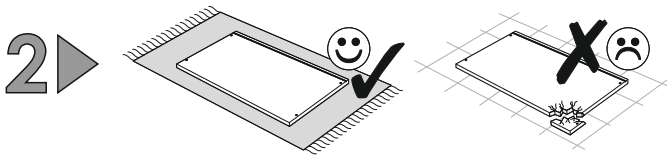
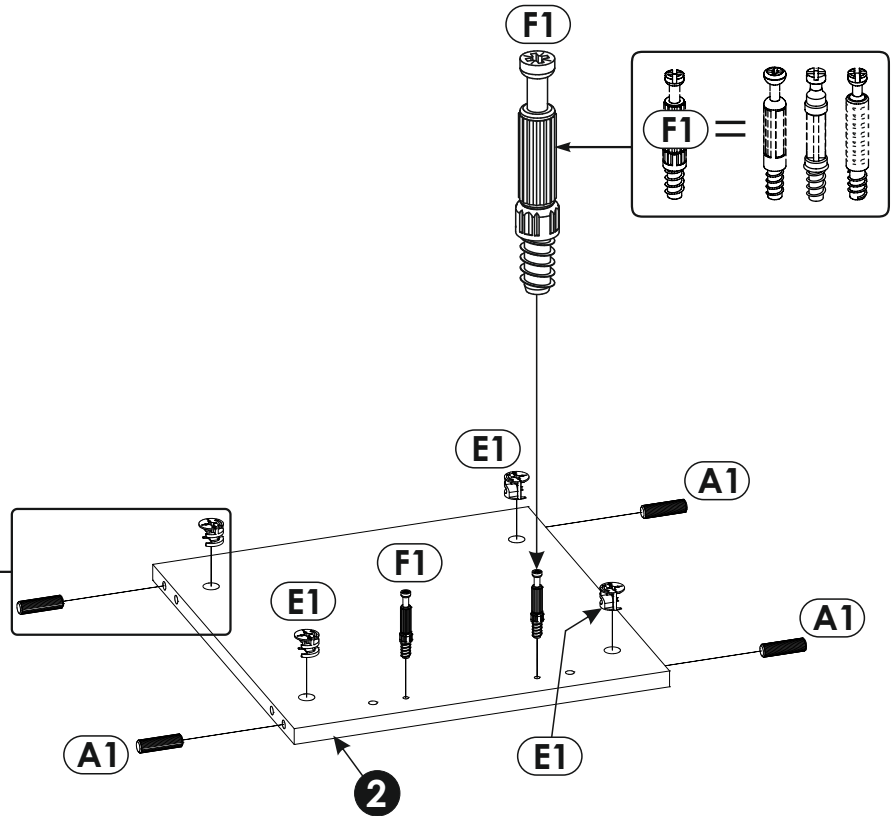
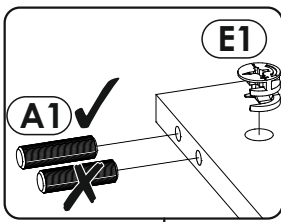
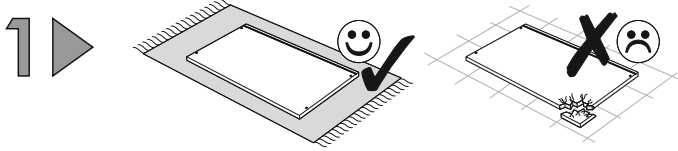
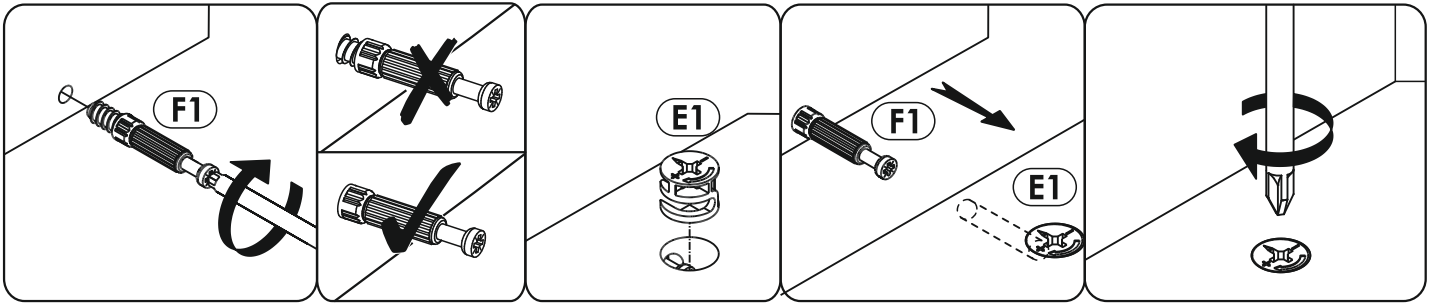
A1 8 x 35 mm x12 	D6 x4 	E0 Ø16 x4 
E1 15 x 12 mm x10 	F1 6 x 34 mm x10 	N1 3 x 16 mm x5 
O2 x4 	R4 x5 	Z x1 

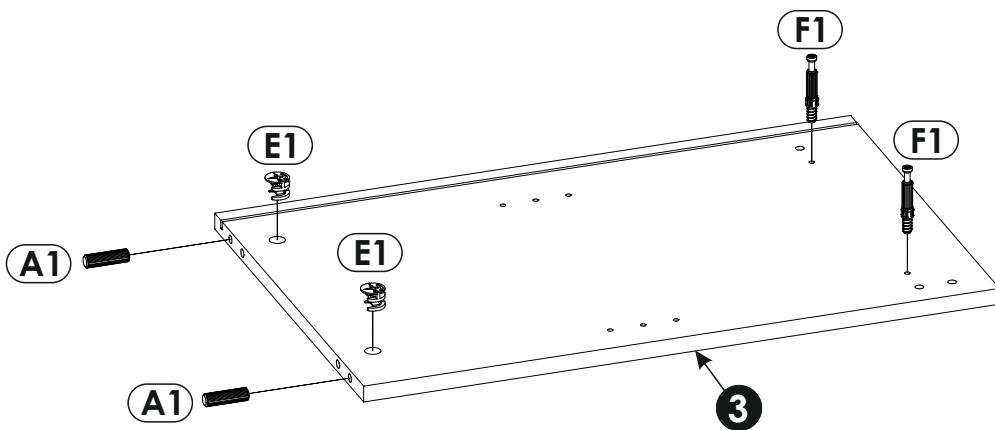
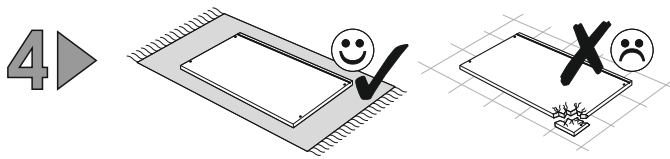
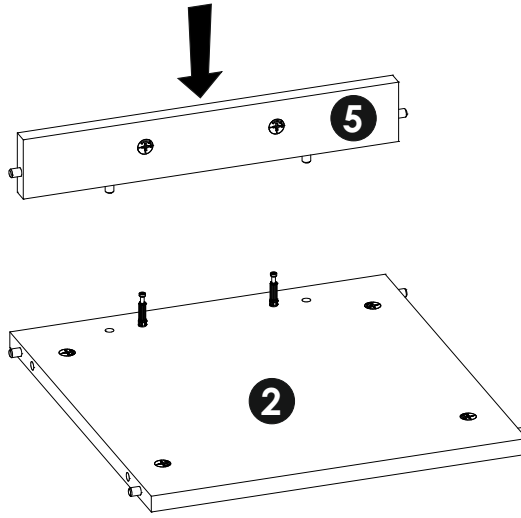
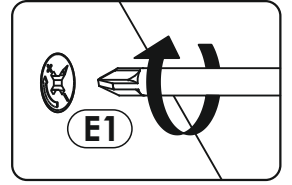
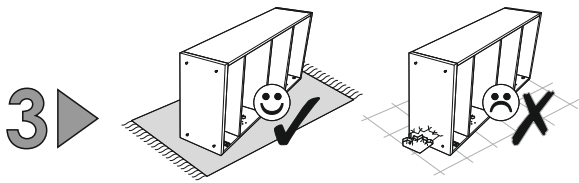


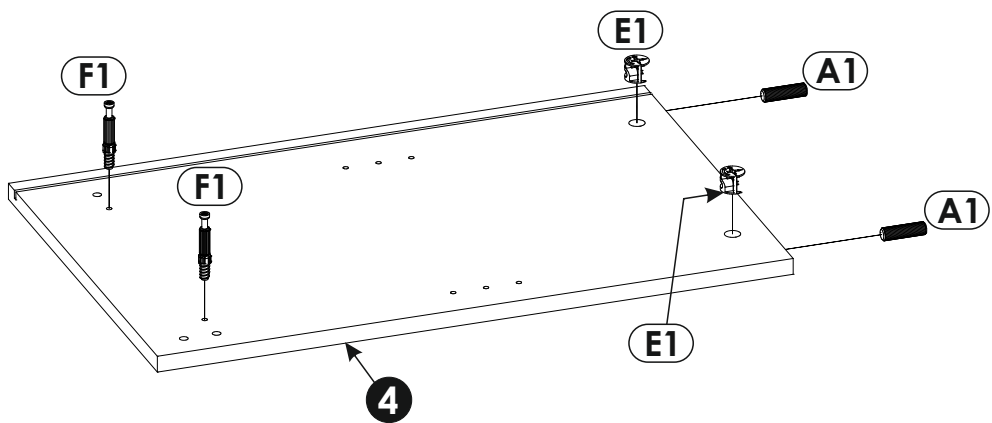
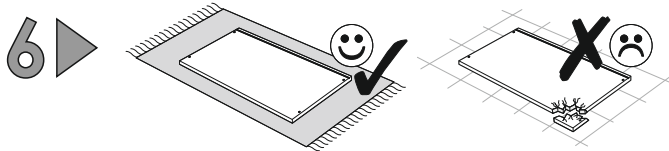
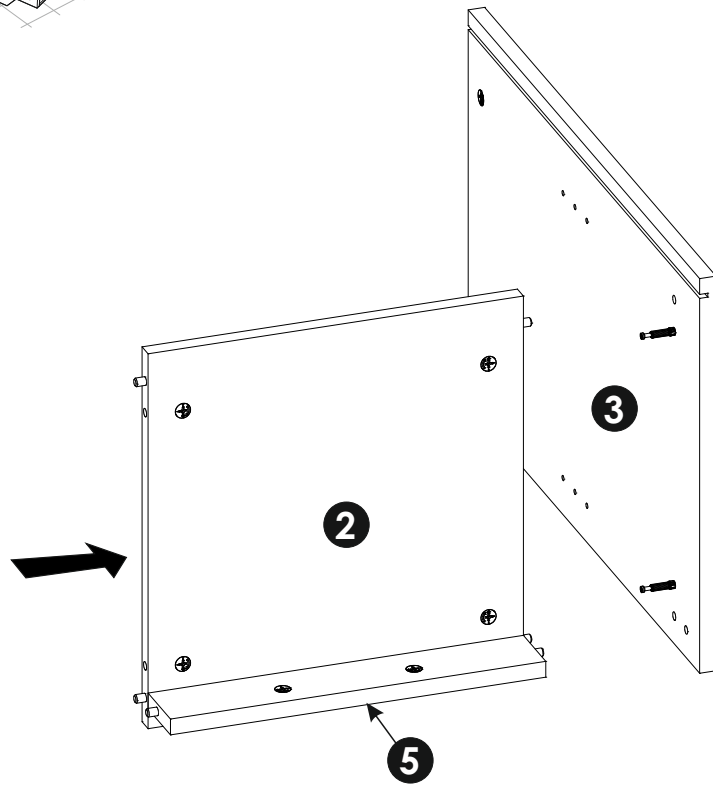
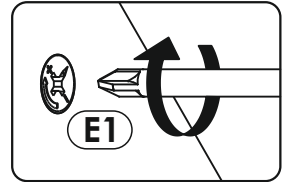
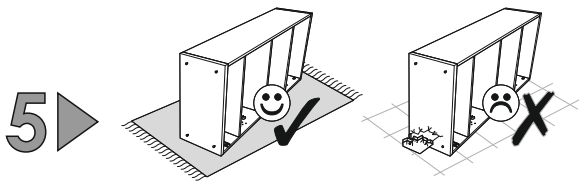
FANR02

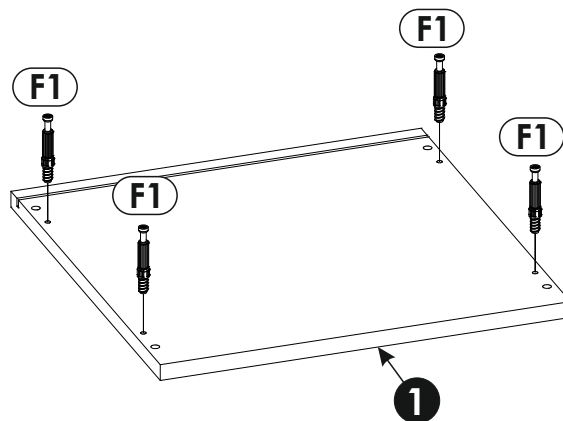
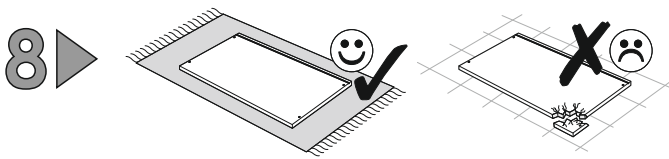
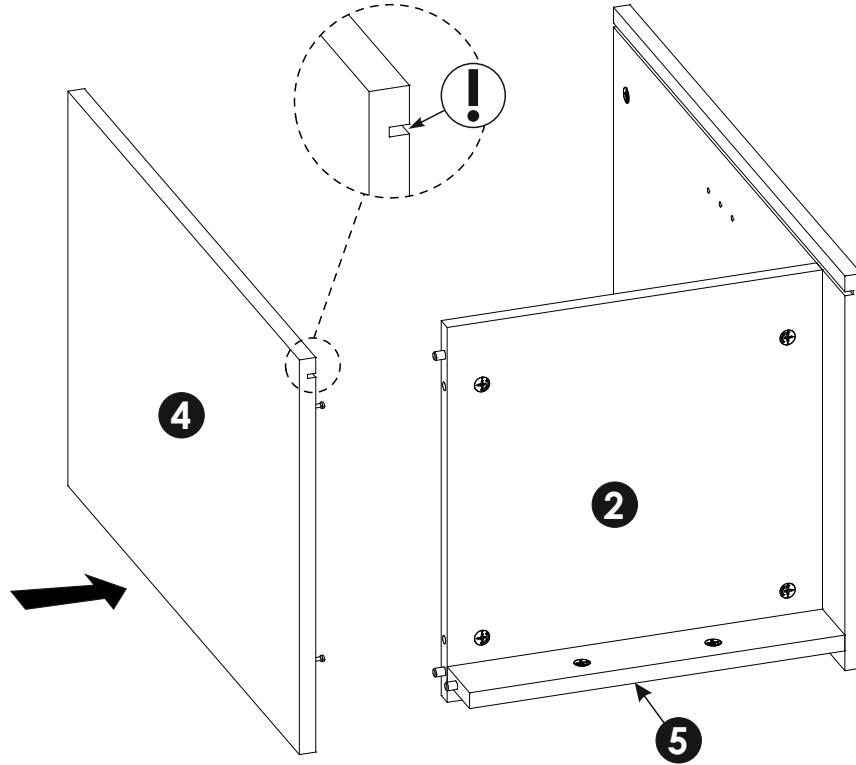
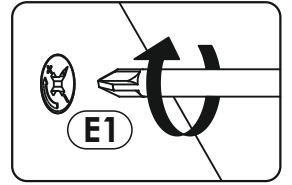
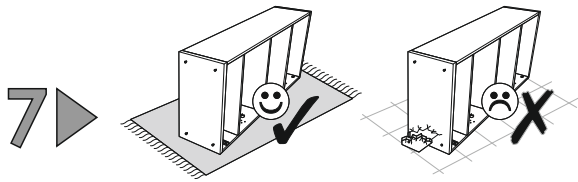


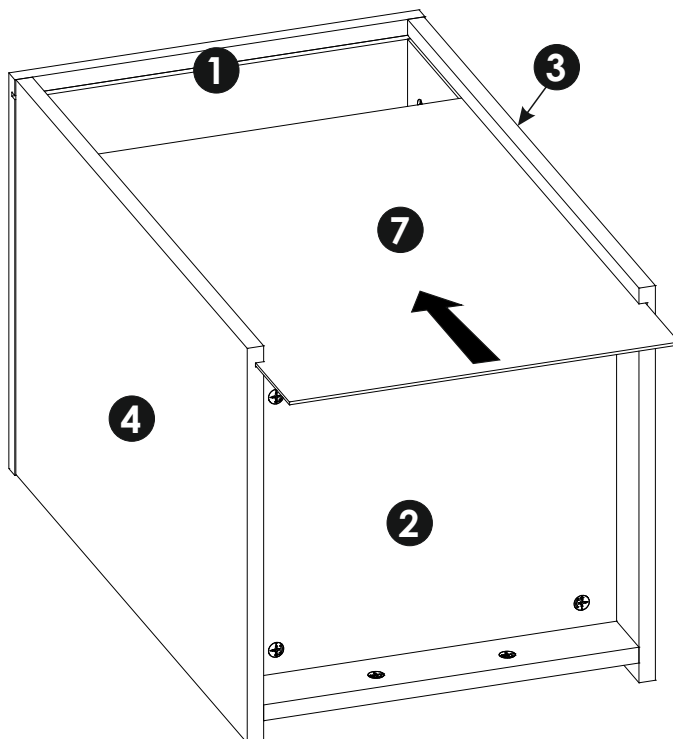
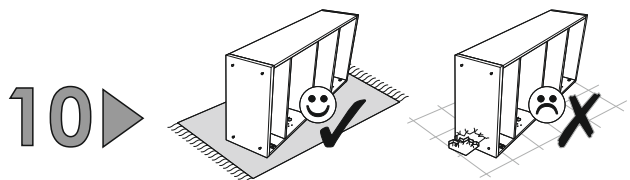
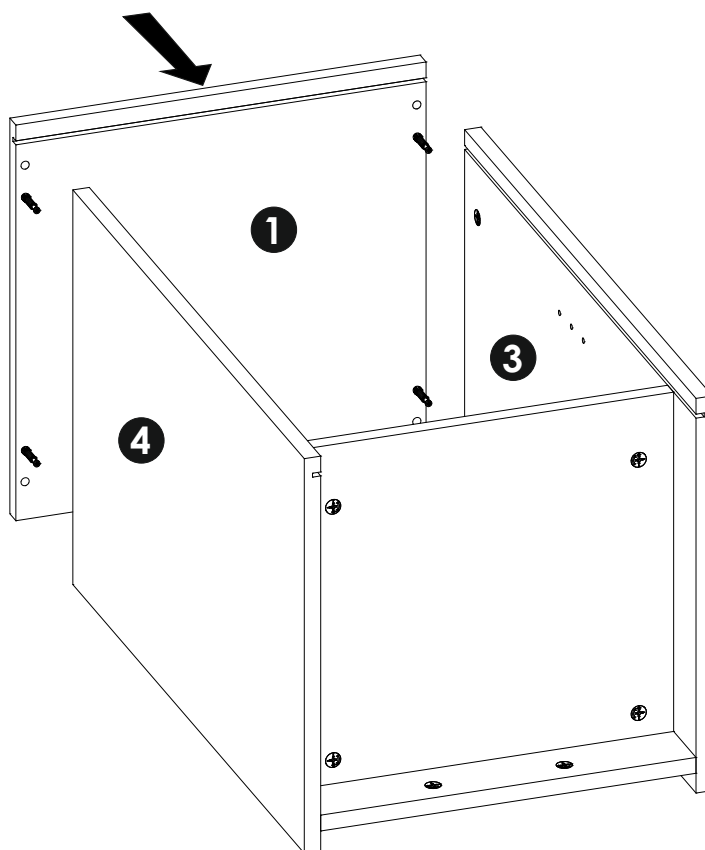
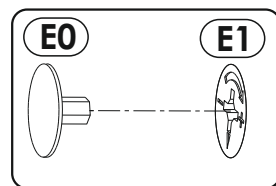
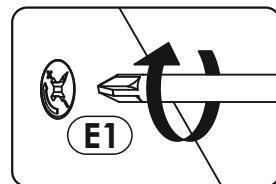
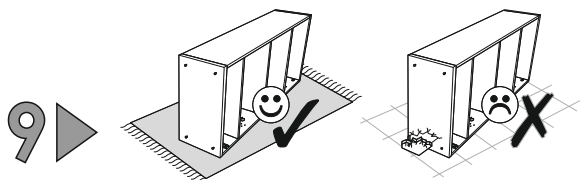
1	400	400	16	x1	1/1
2	366	379	16	x1	1/1
3	620	399	16	x1	1/1
4	620	399	16	x1	1/1
5	366	60	16	x1	1/1
6	365	364	16	x1	1/1
7	565	380	3	x1	1/1

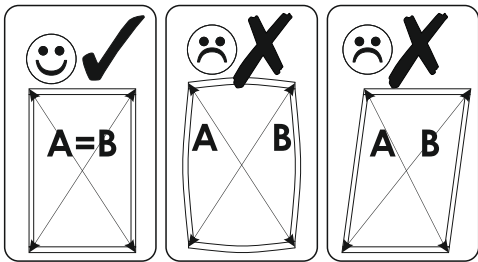
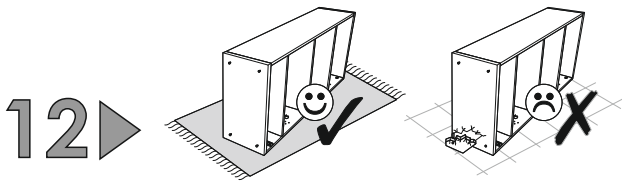
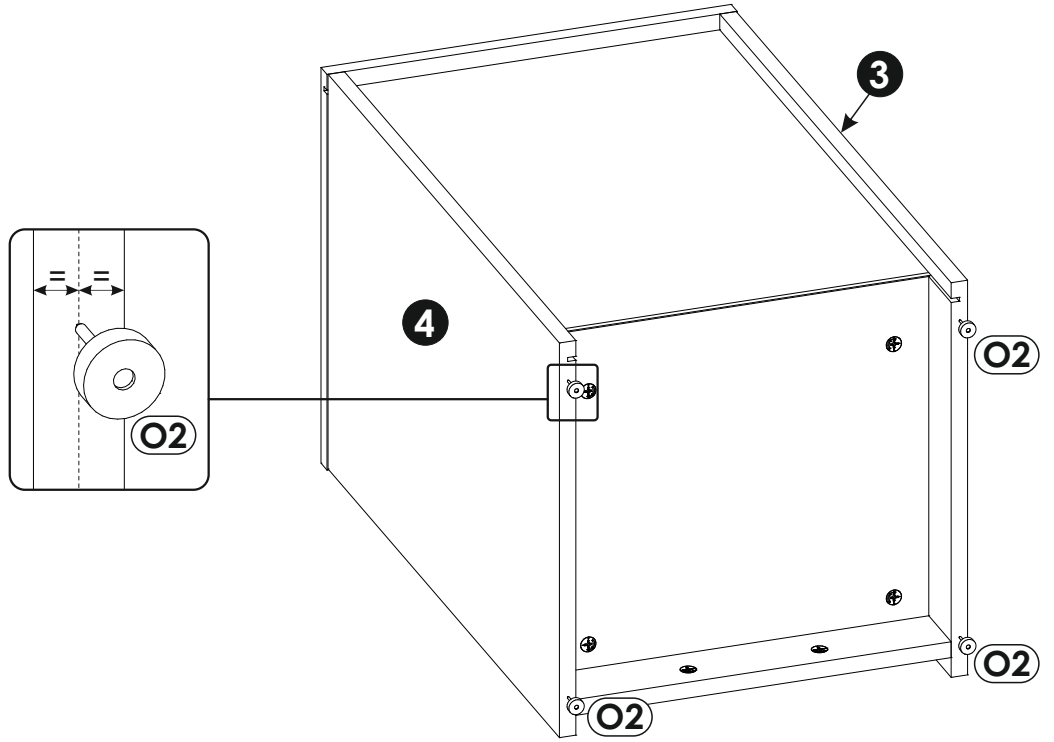
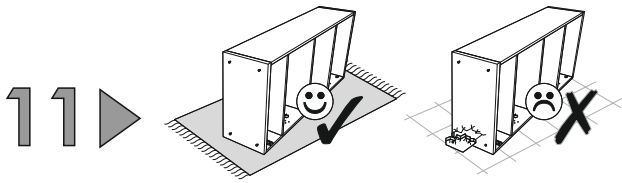




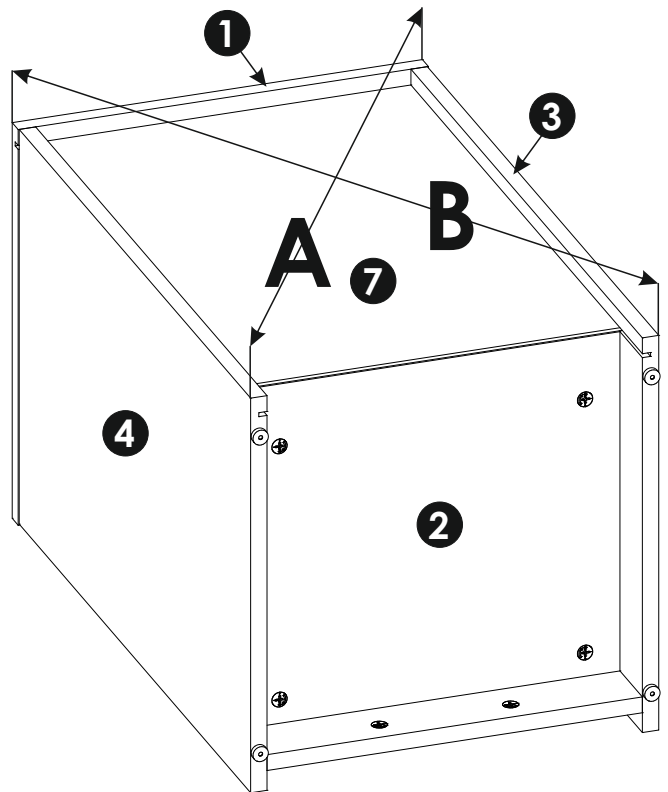




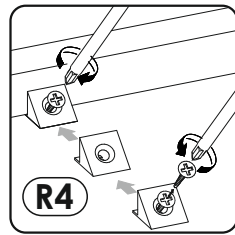
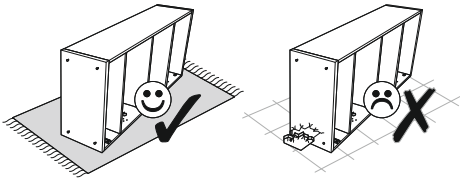




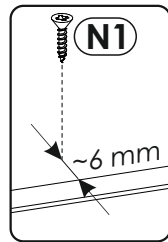
A=B



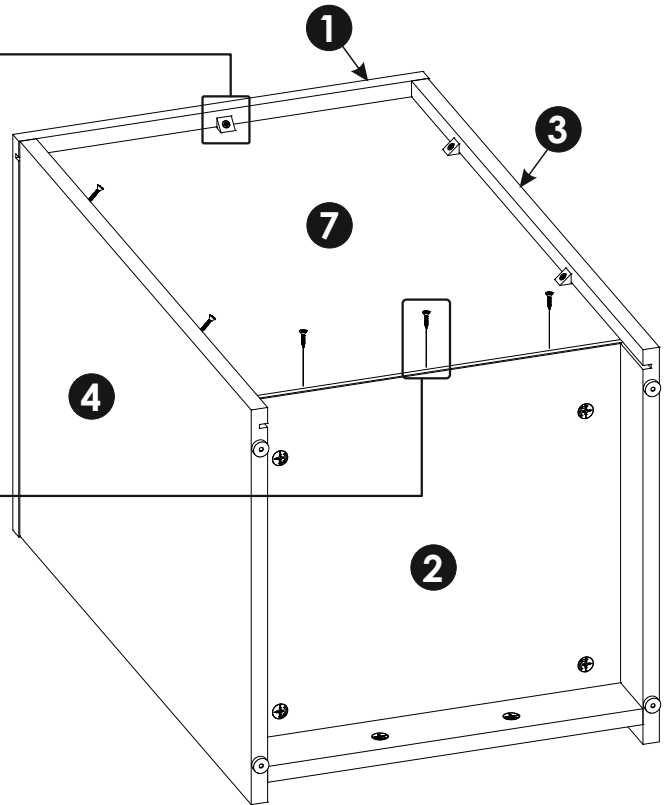
13 ▶



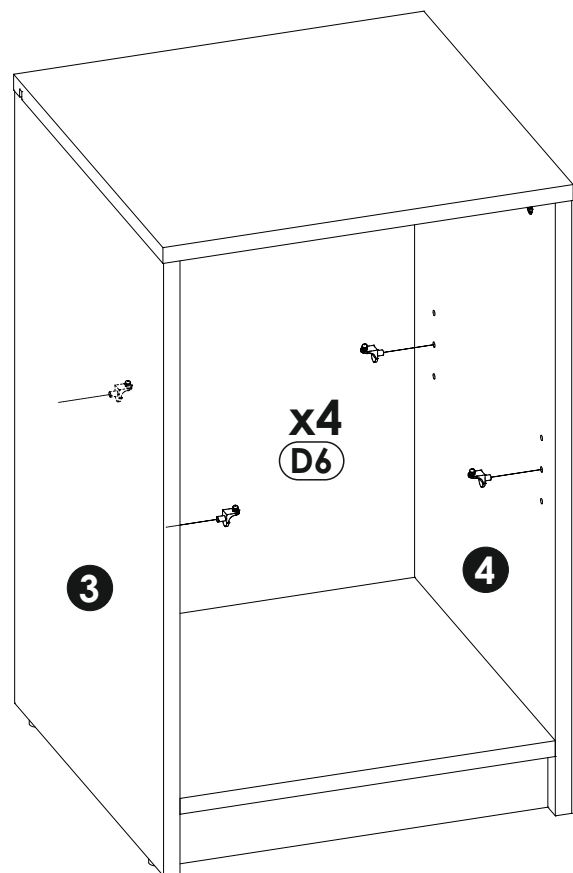
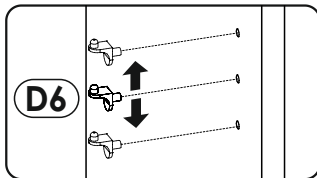
x5



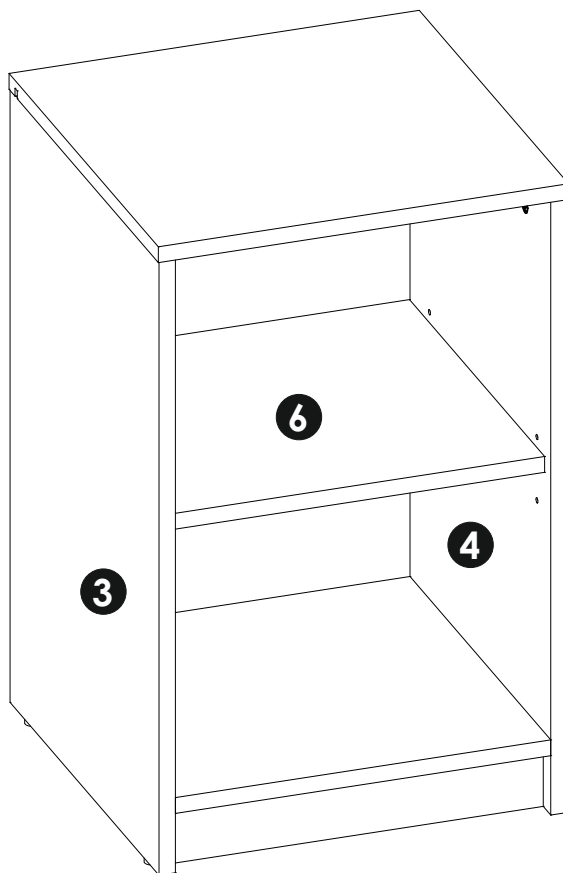
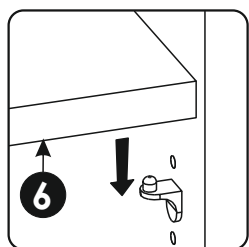
x3



14 ▶



15 ▶



16 ▶

