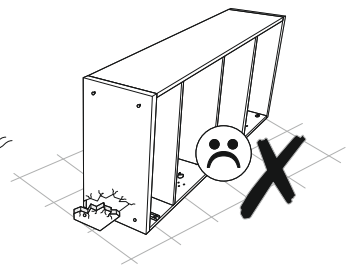
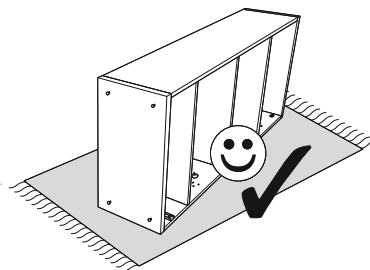
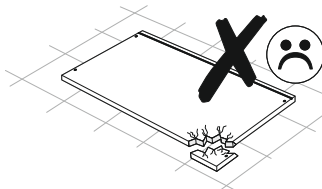
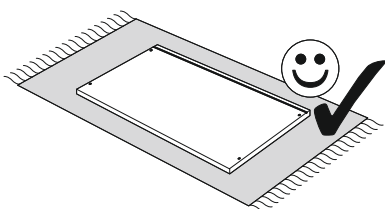
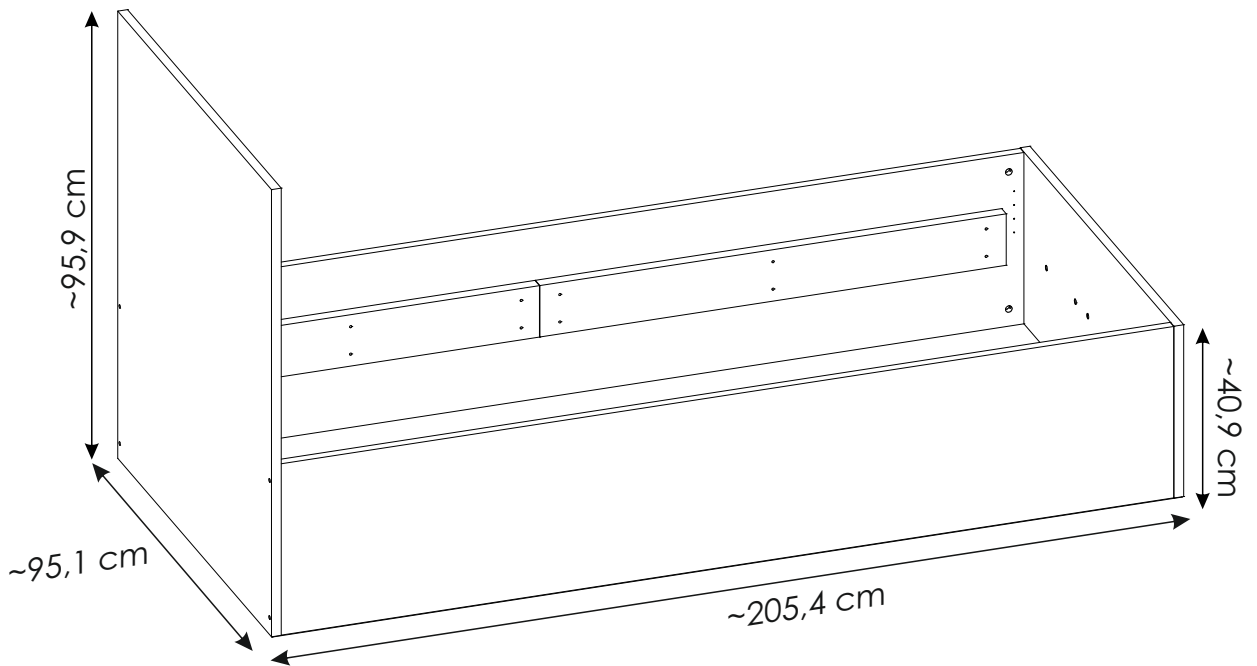
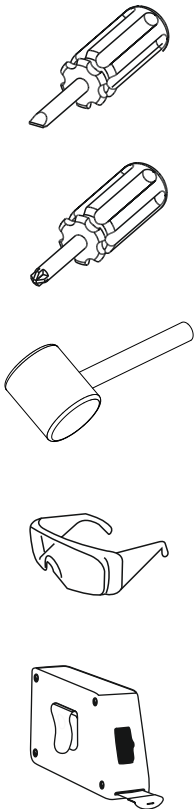
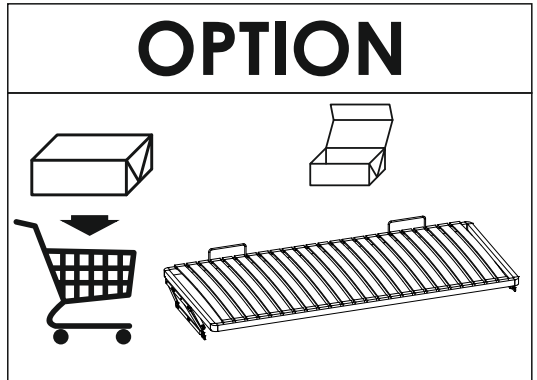
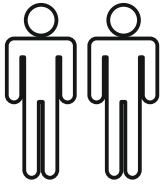
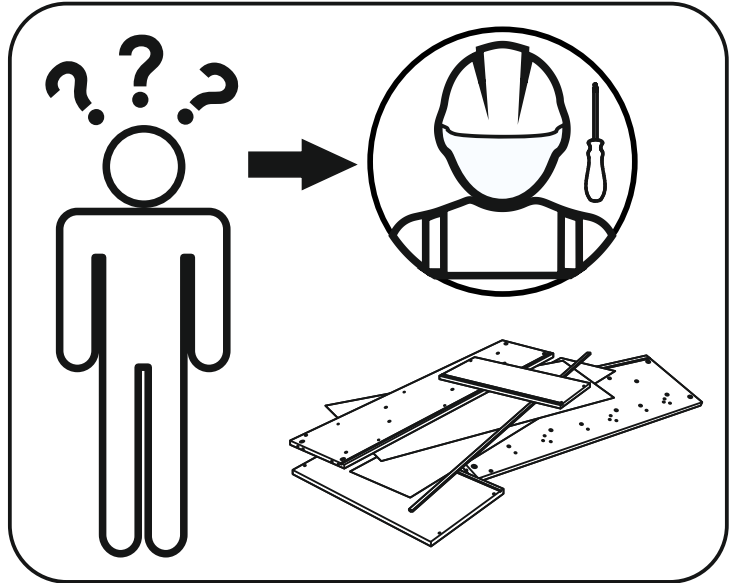
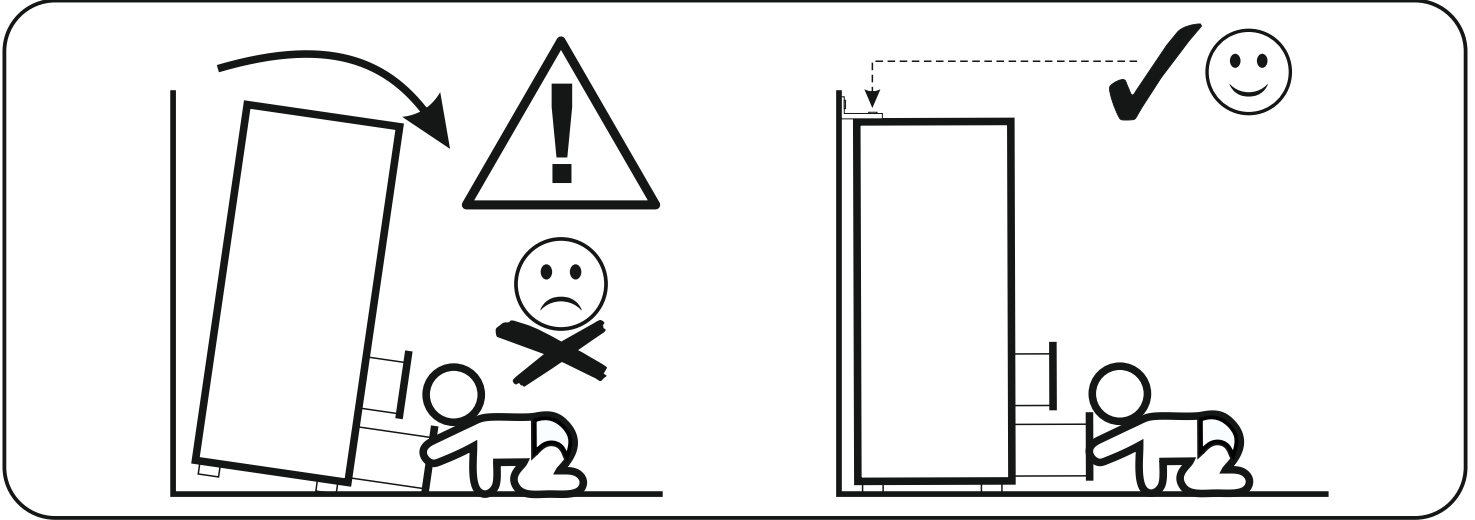
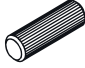


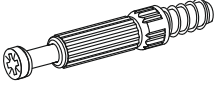
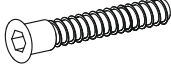
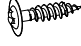

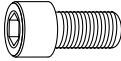
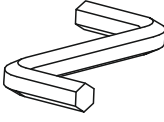
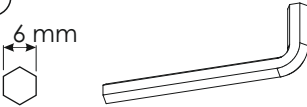
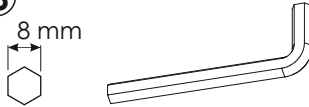



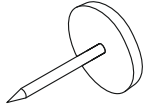
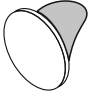
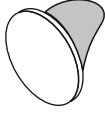
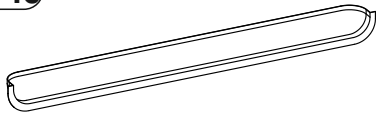


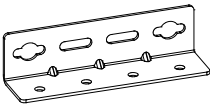


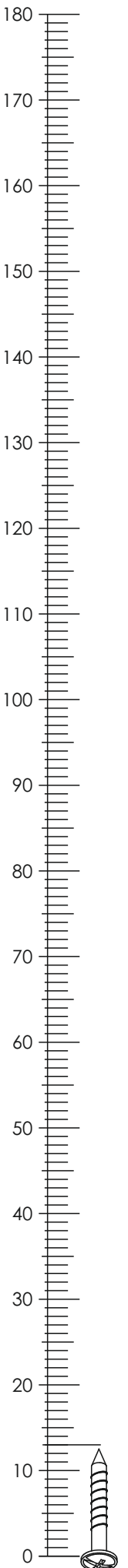
FANZ01



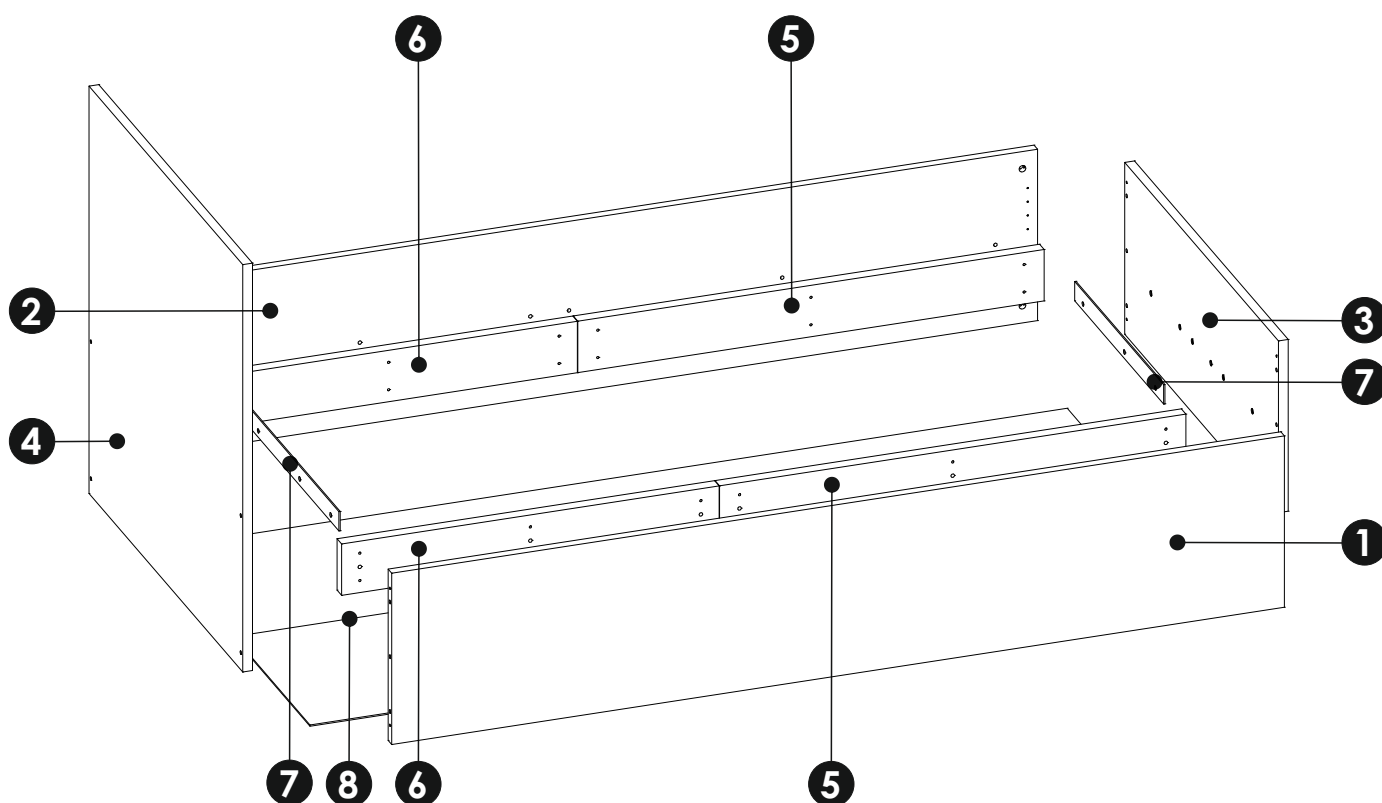
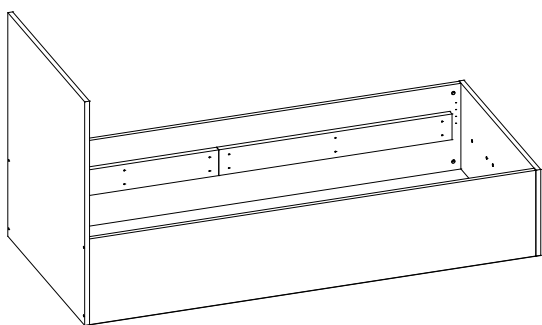


FANZ01

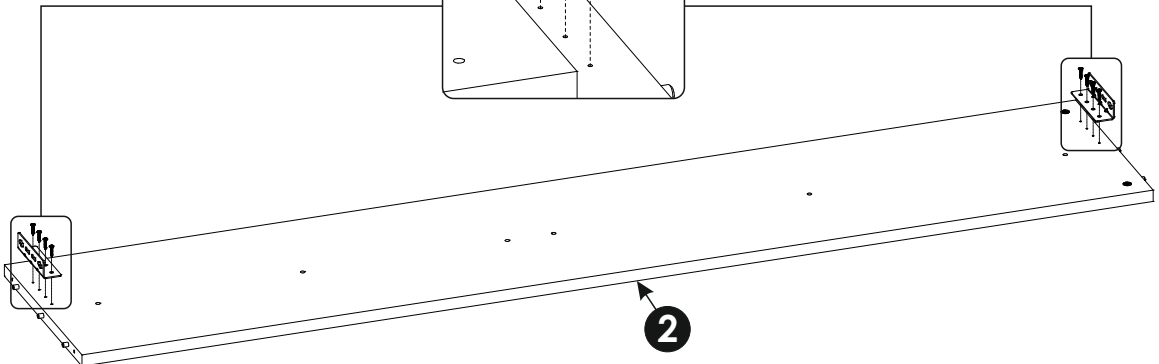
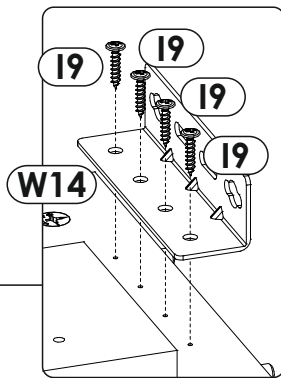
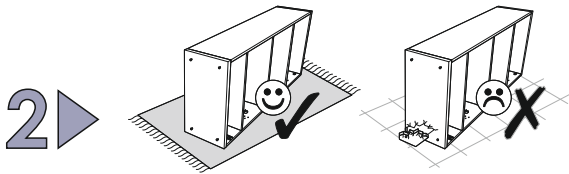
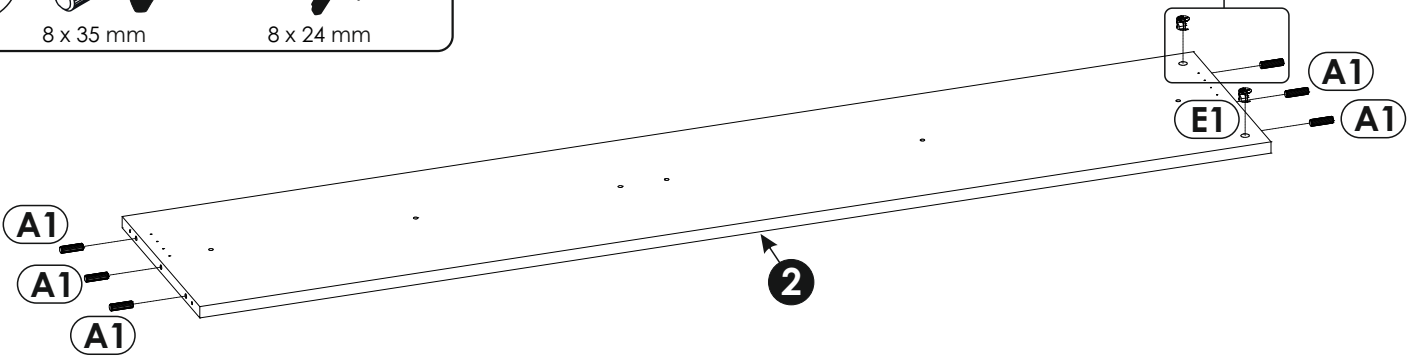
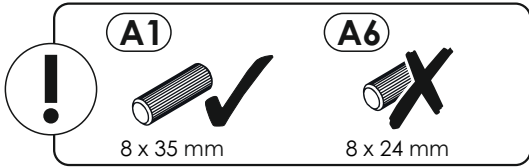
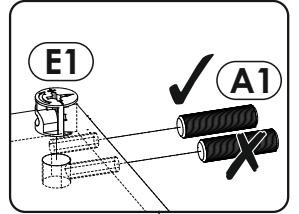
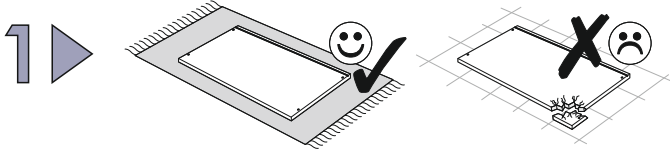
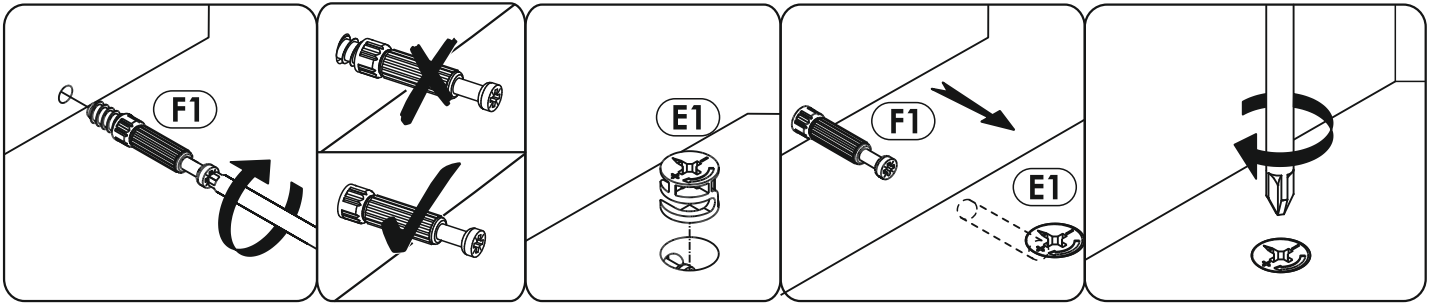
A1 8 x 35 mm x12 	A6 8 x 24 mm x12 	E1 15 x 12 mm x4 
F1 6 x 34 mm x4 	G2 7 x 60 mm x4 	I0 3 x 13 mm x10 
I9 4 x 20 mm x32 	K50 8 x 25 mm x6 	M x1 
M7 6 mm x1 	M8 8 mm x1 	N1 3 x 16 mm x50 
N17 4 x 45 mm x24 	O2A ø20 x8 	O2 x14 
P16 x24 ø14 	P17 x14 ø20 	P40 x2 
S10 x6 	S18 x6 	W14 x4 



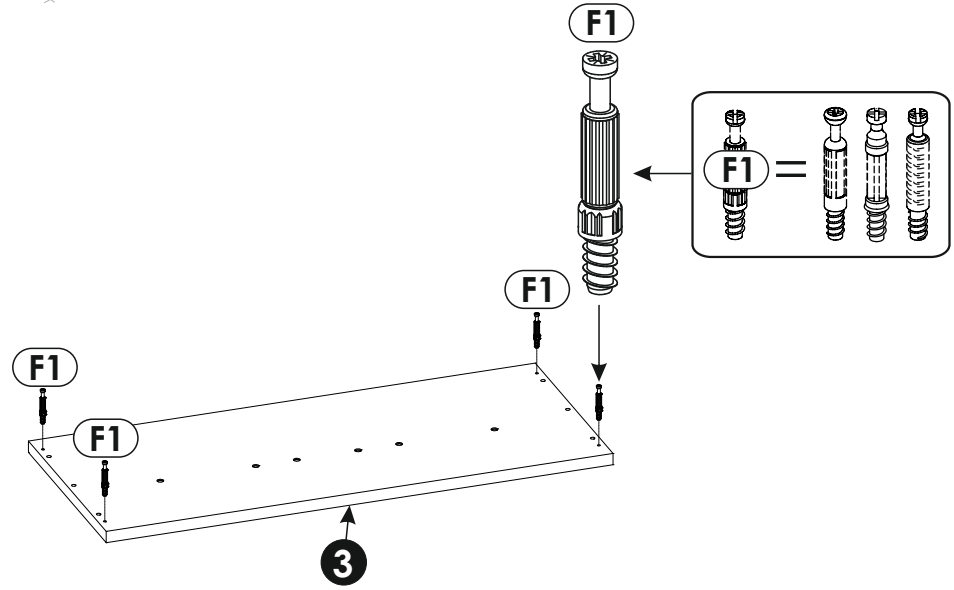
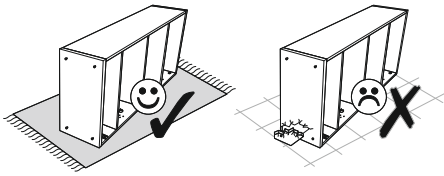
FANZ01



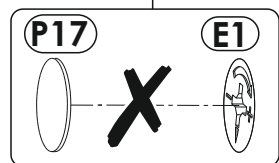
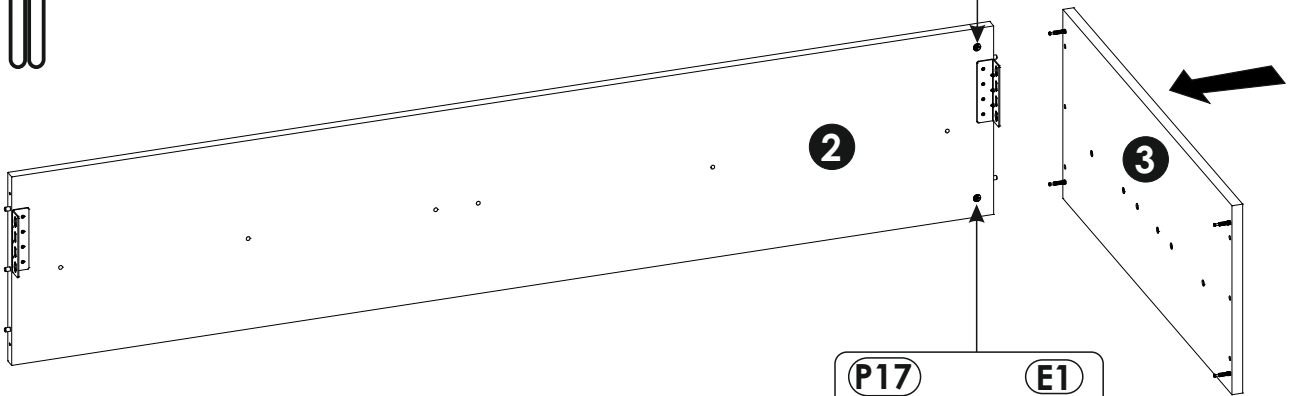
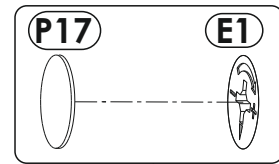
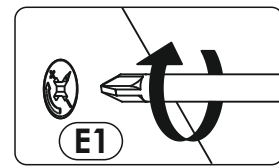
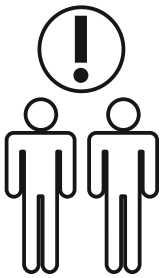
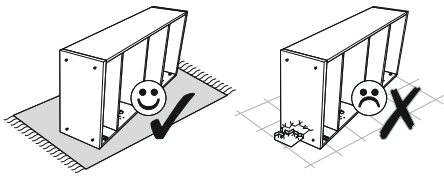
1	2010	400	22 x1	2/2
2	2010	400	22 x1	2/2
3	951	401	22 x1	1/2
4	951	951	22 x1	1/2
5	1050	120	28 x2	1/2
6	850	120	28 x2	1/2
7	550	45	3 x2	1/2
8	2048	942	3 x1	2/2

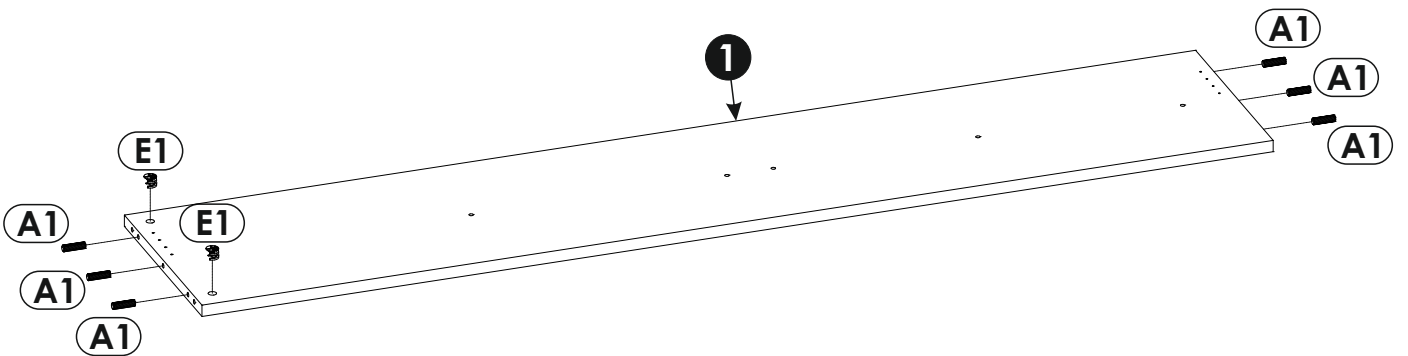
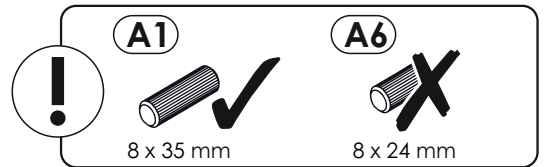
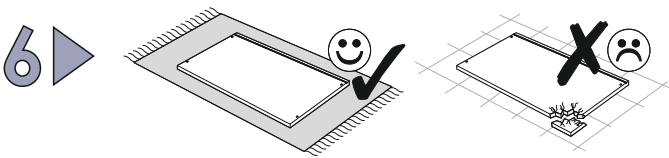
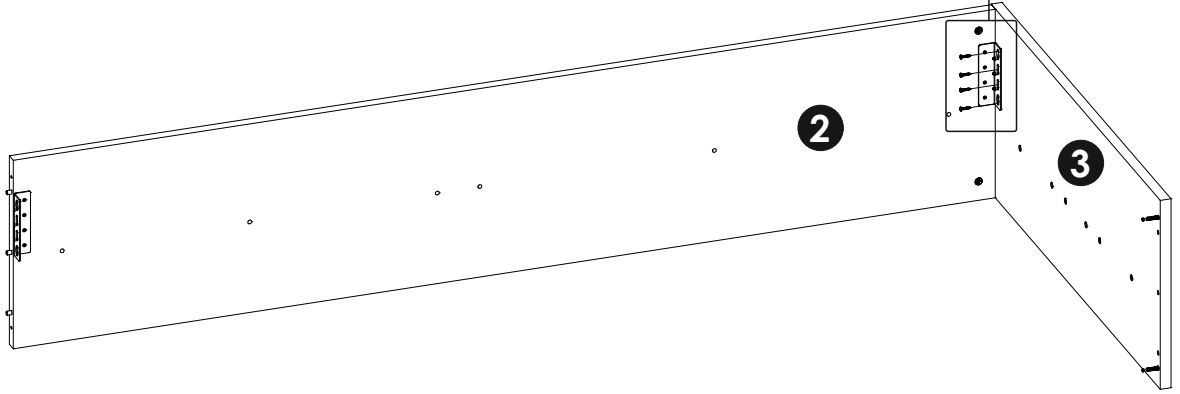
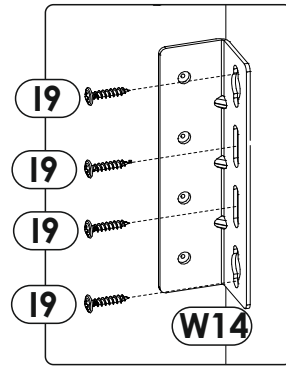
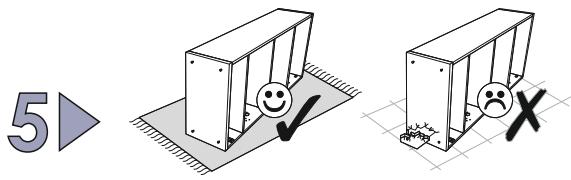


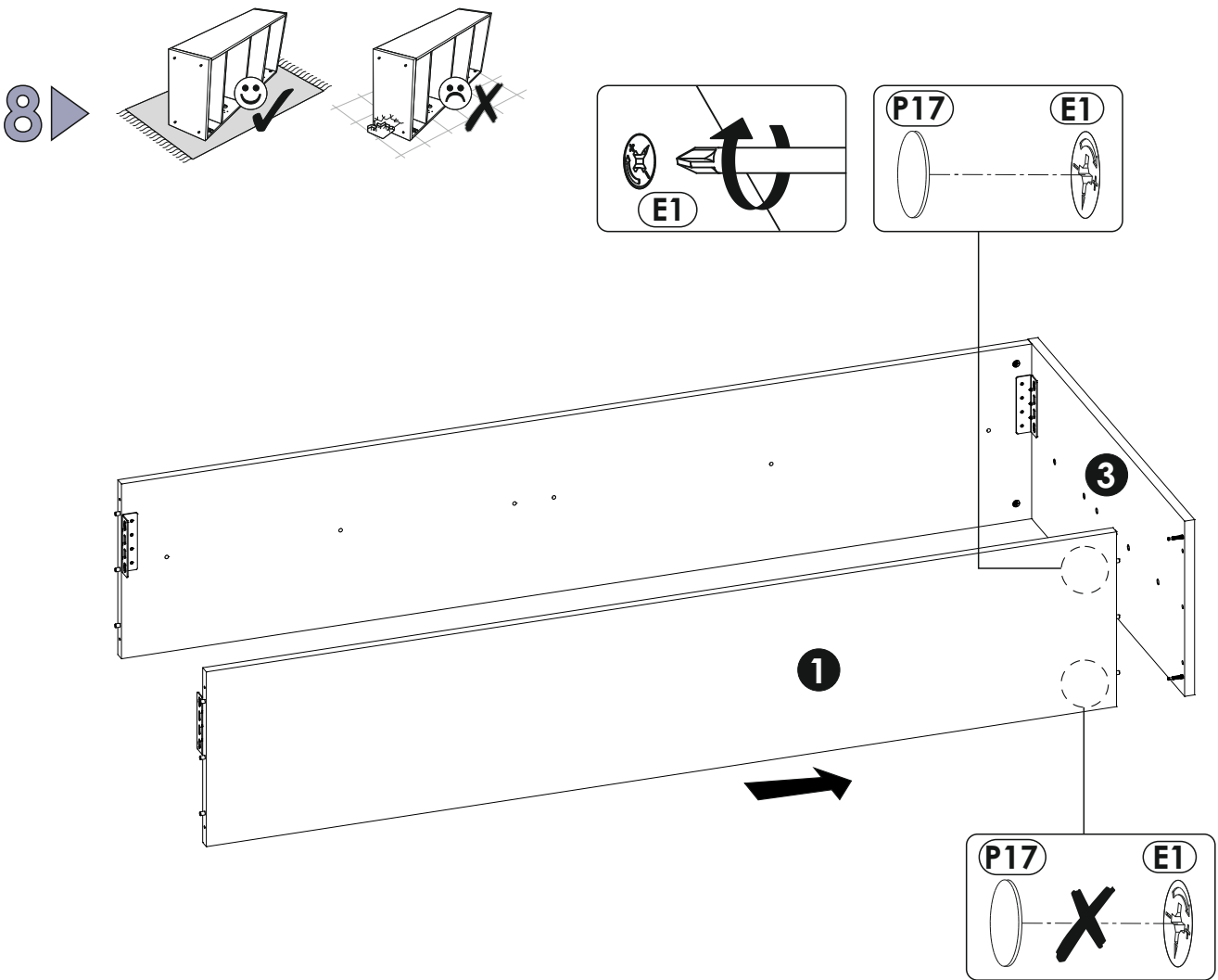
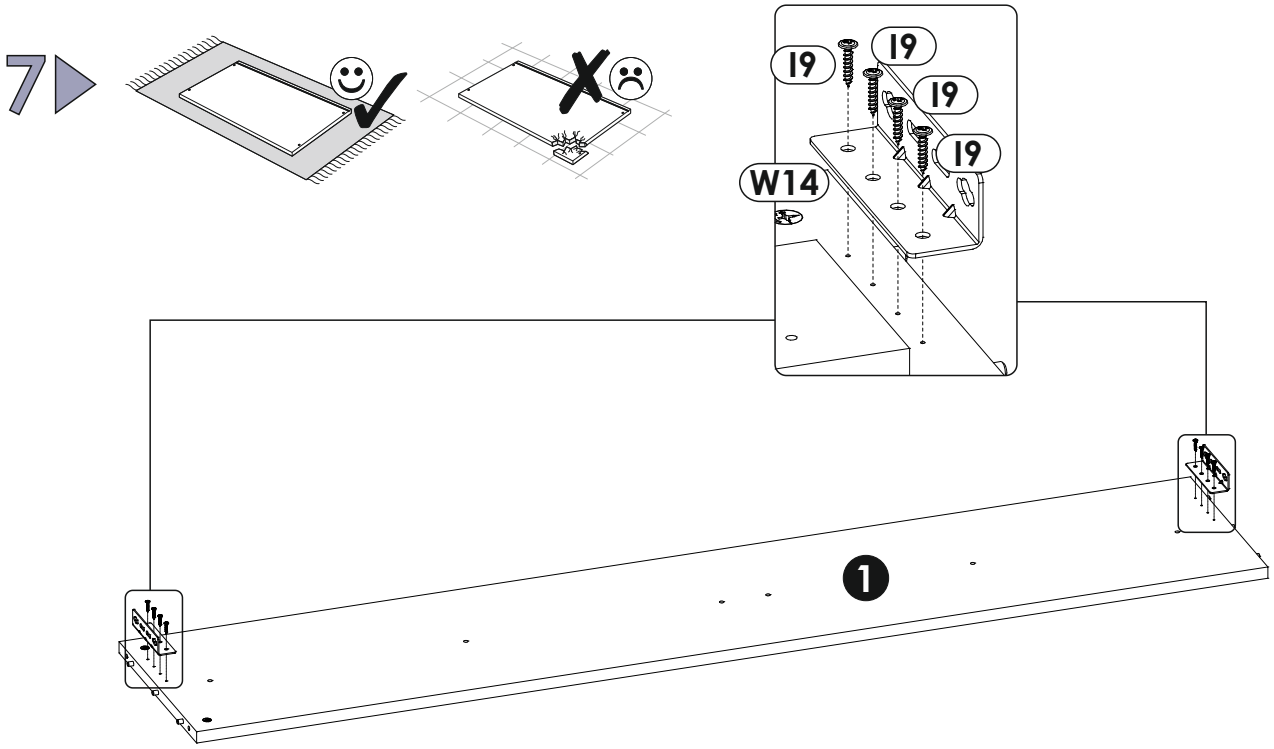
3 ▶

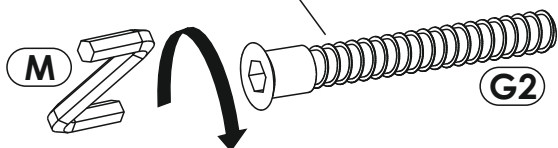
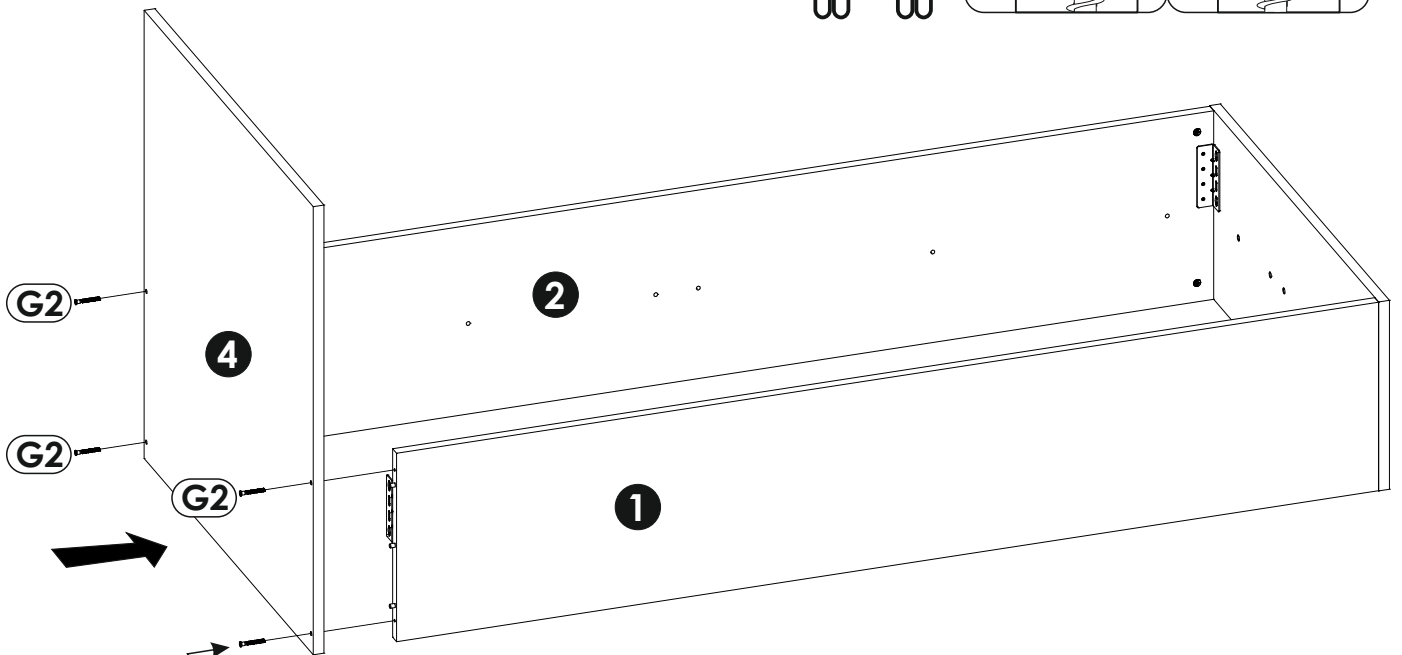
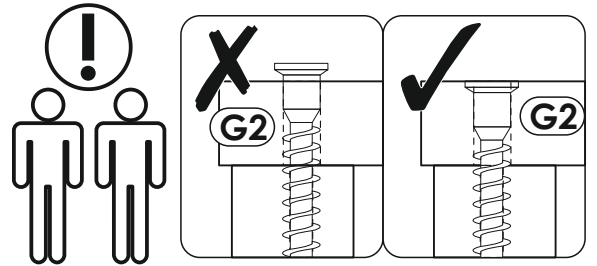
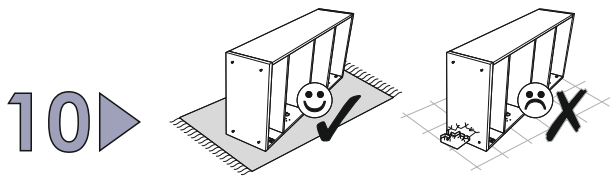
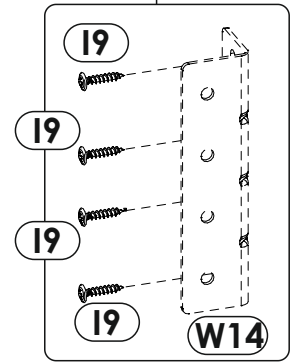
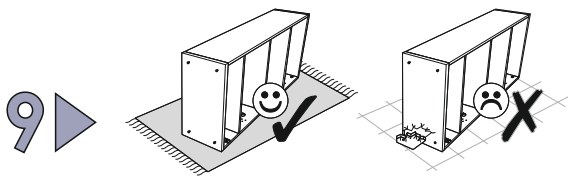


4 ▶

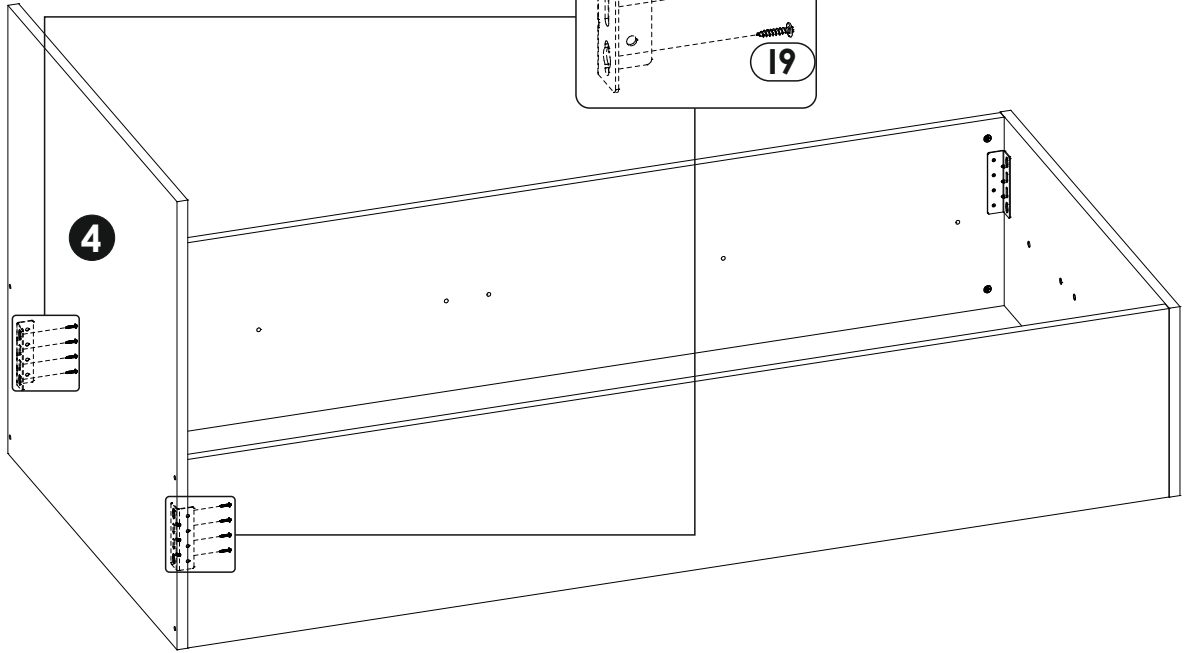
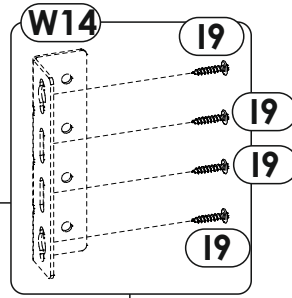
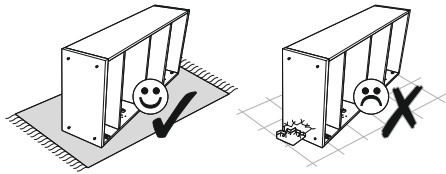




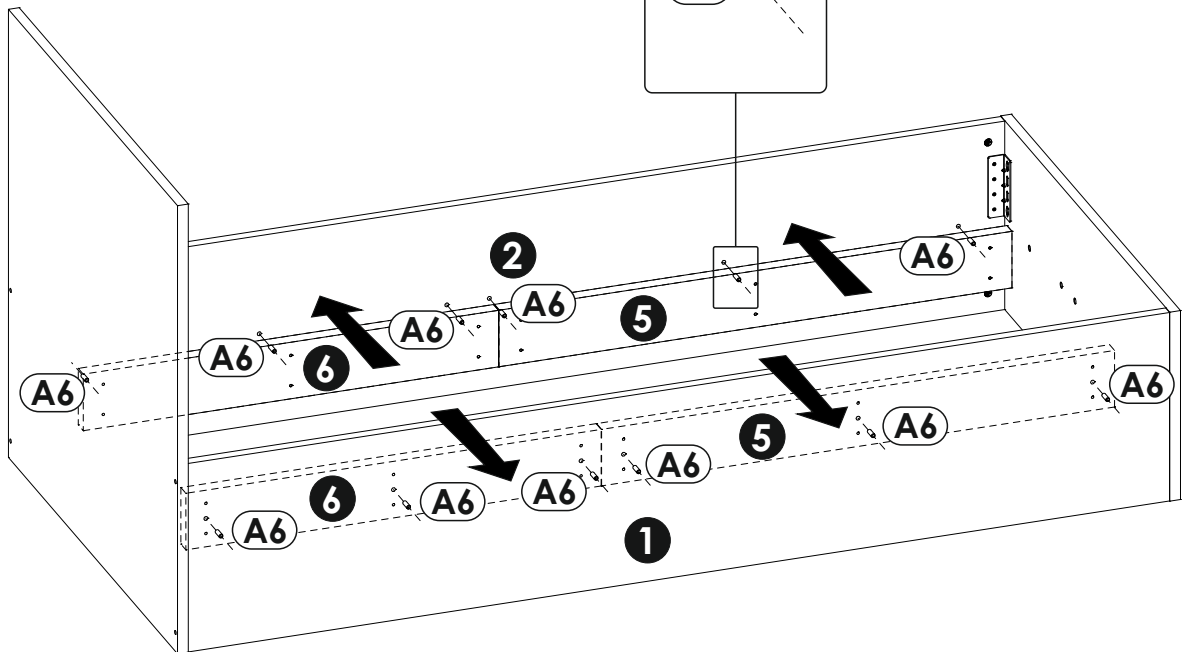
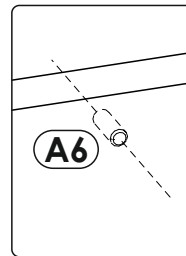
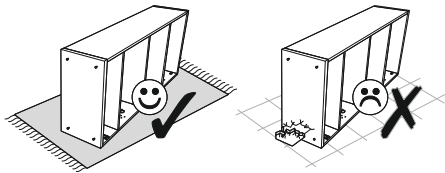




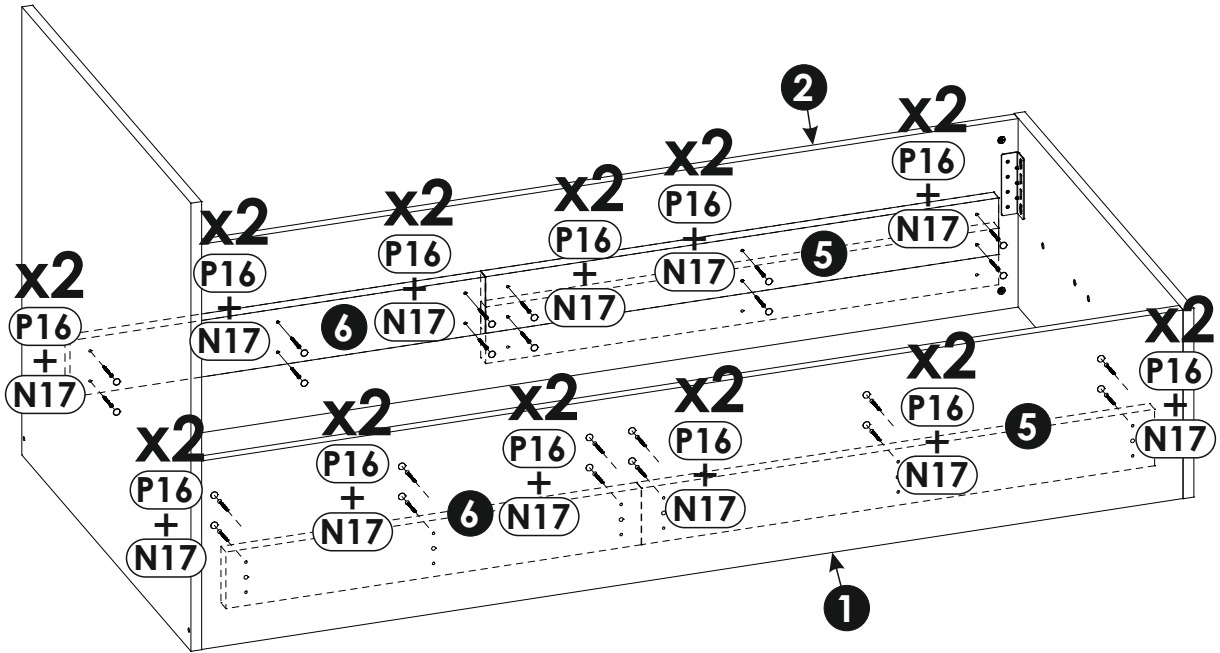
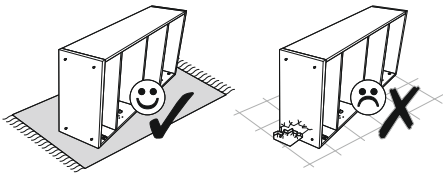
11 ▶



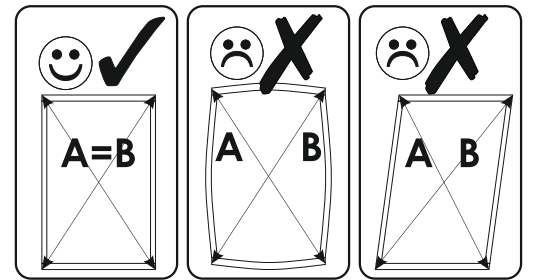
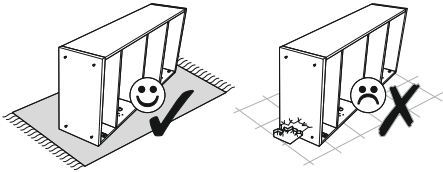
12 ▶



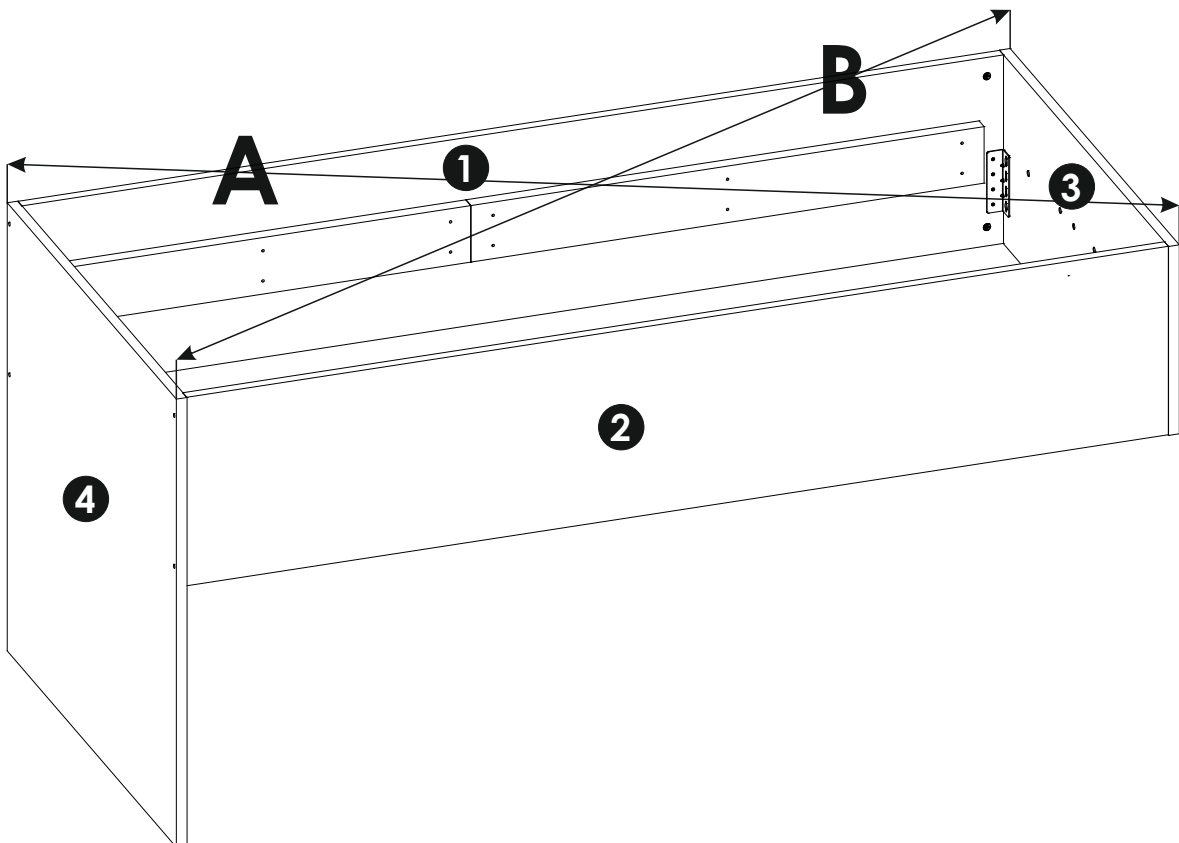
13 ▶



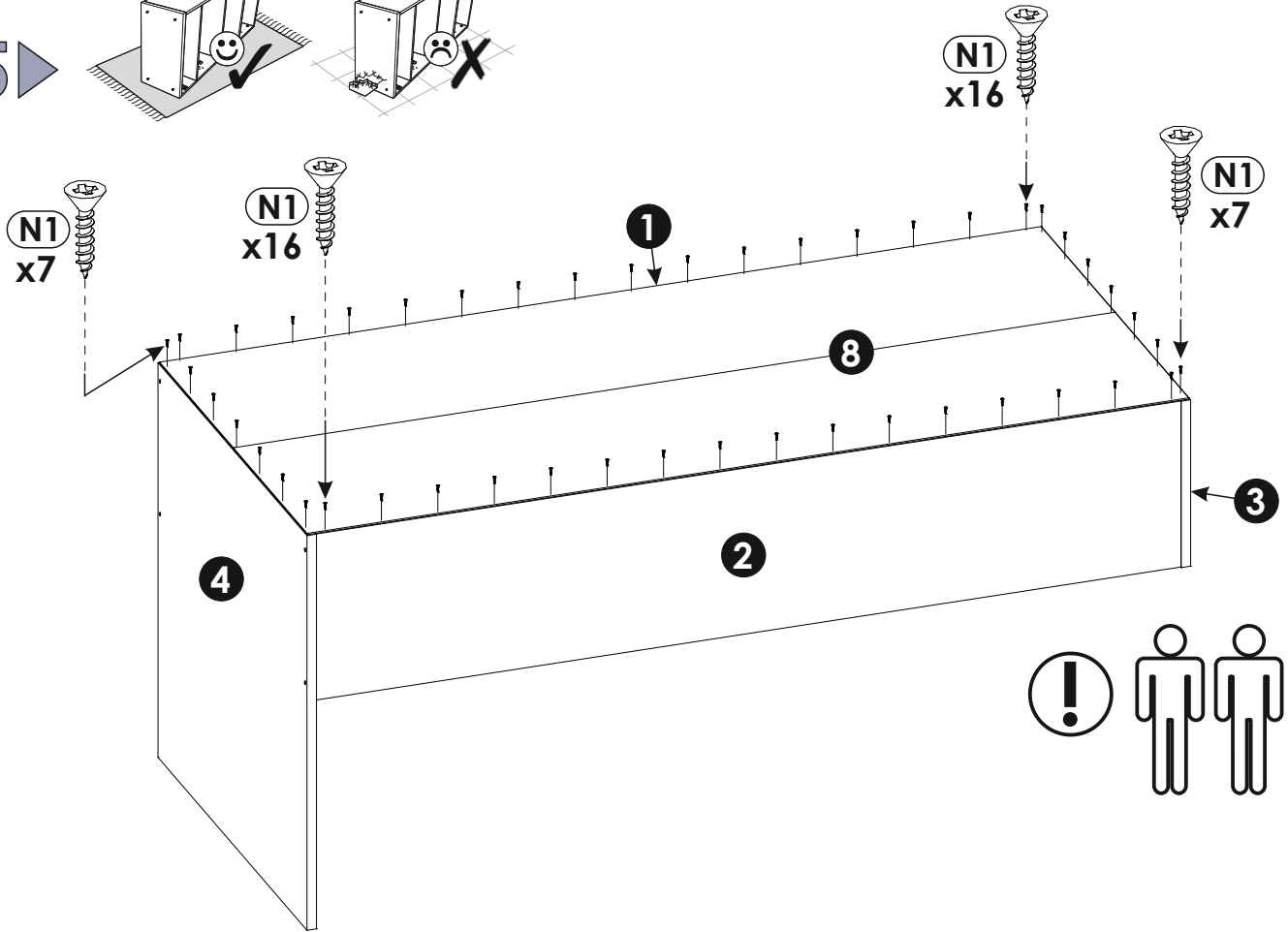
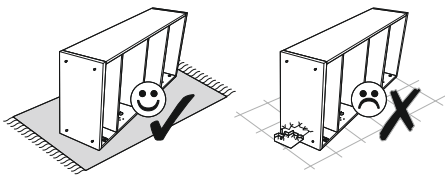
14 ▶



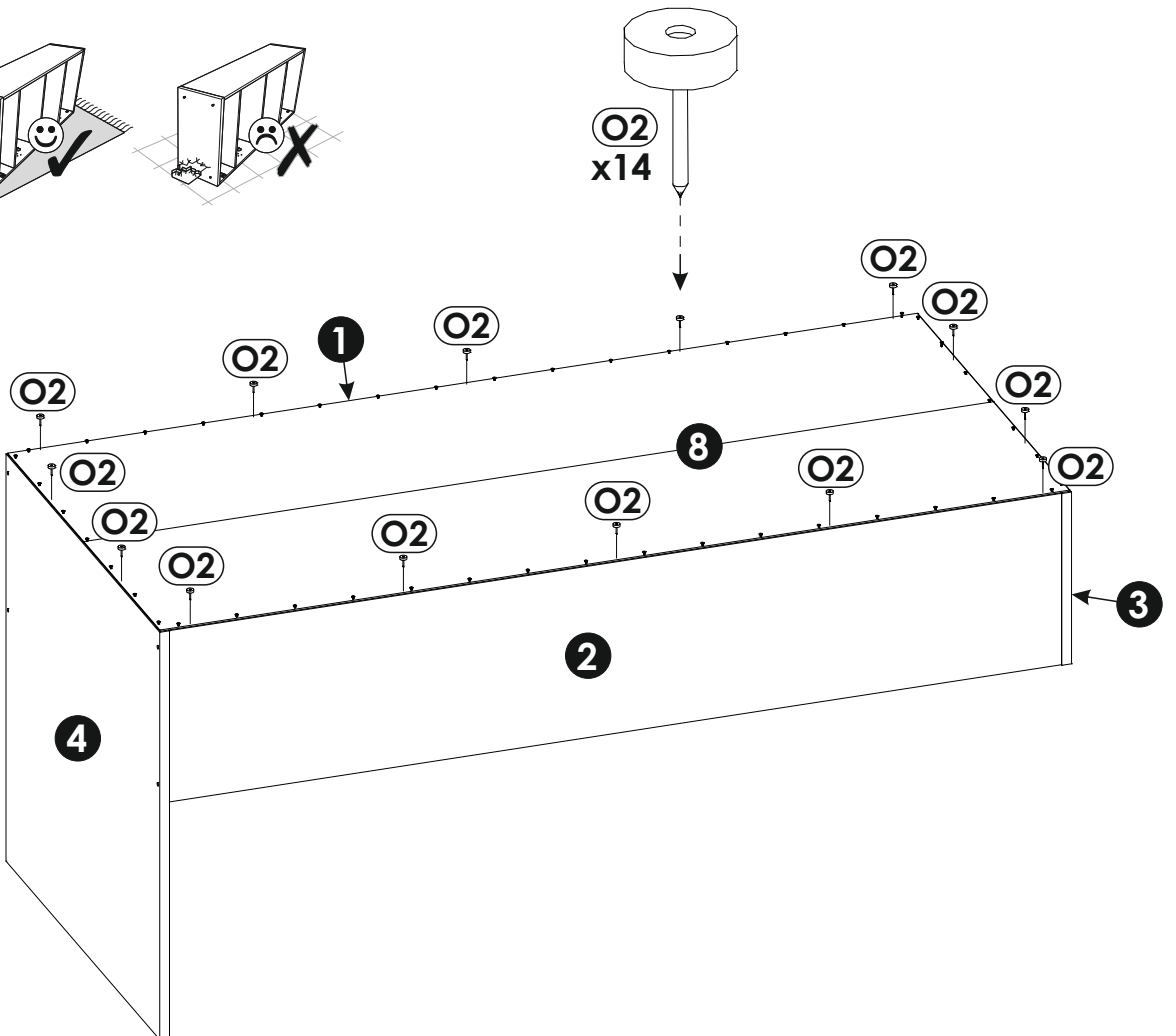
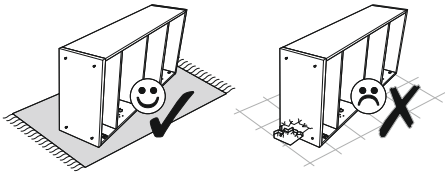
A=B



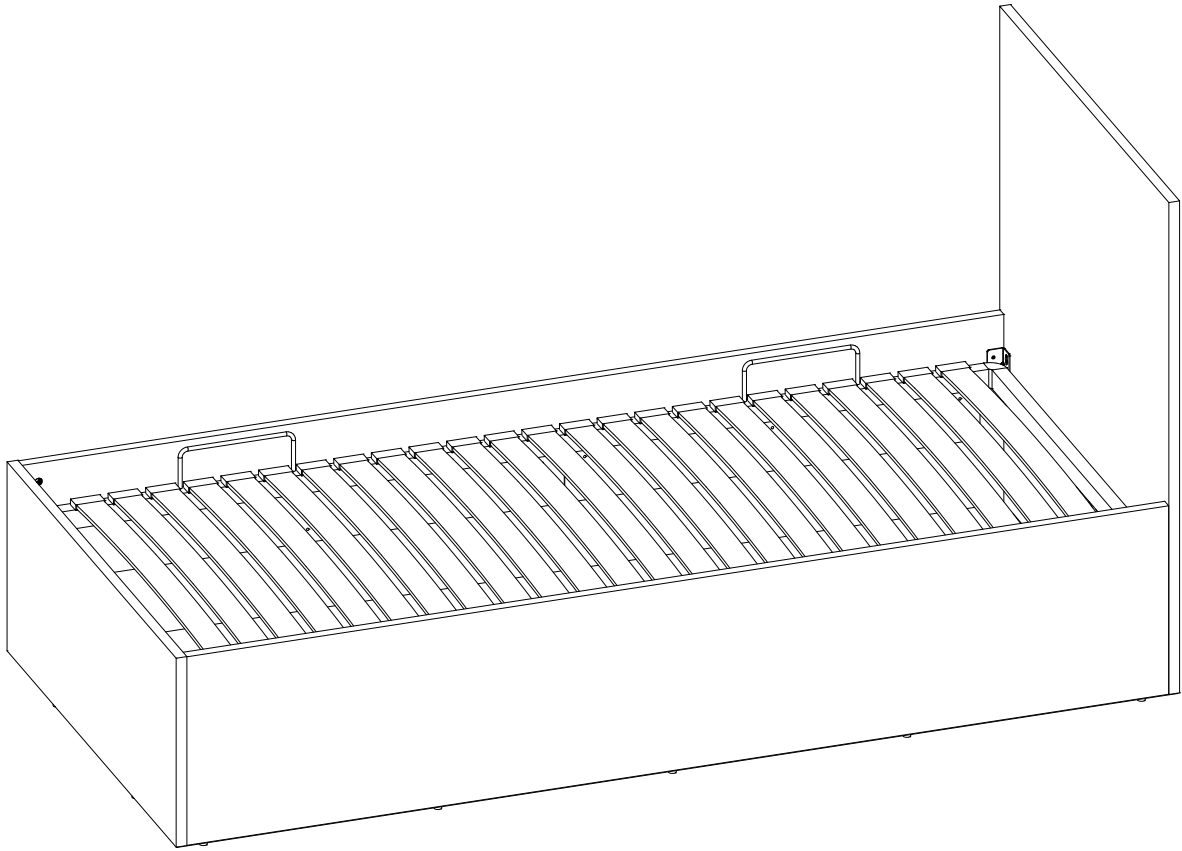
15 ▶



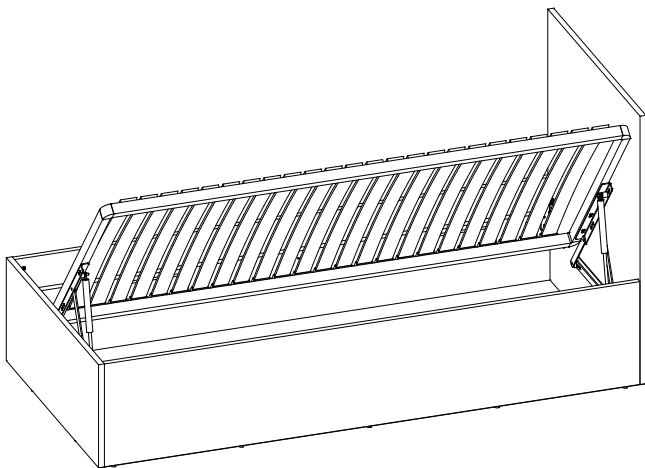
16 ▶



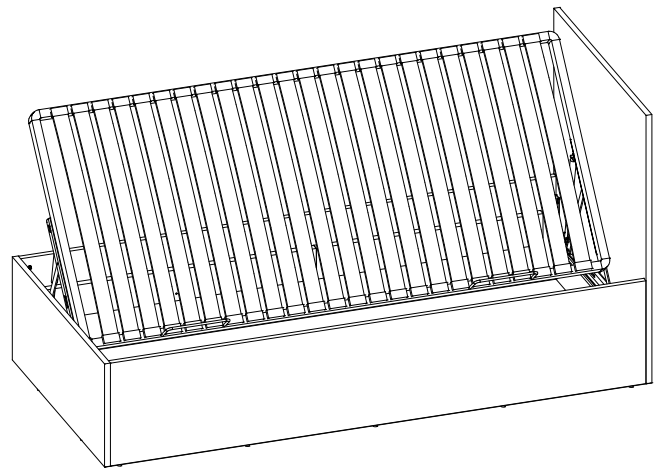
OPTION



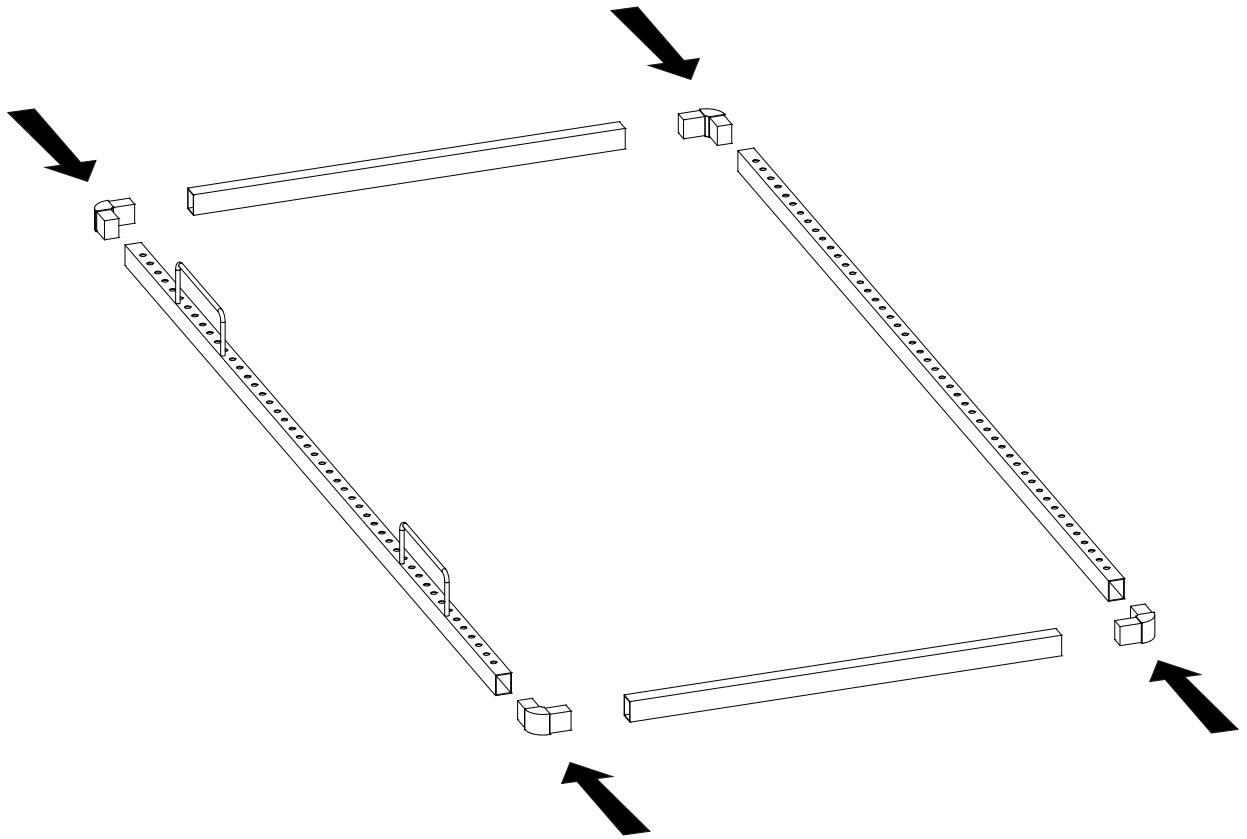
OPTION A



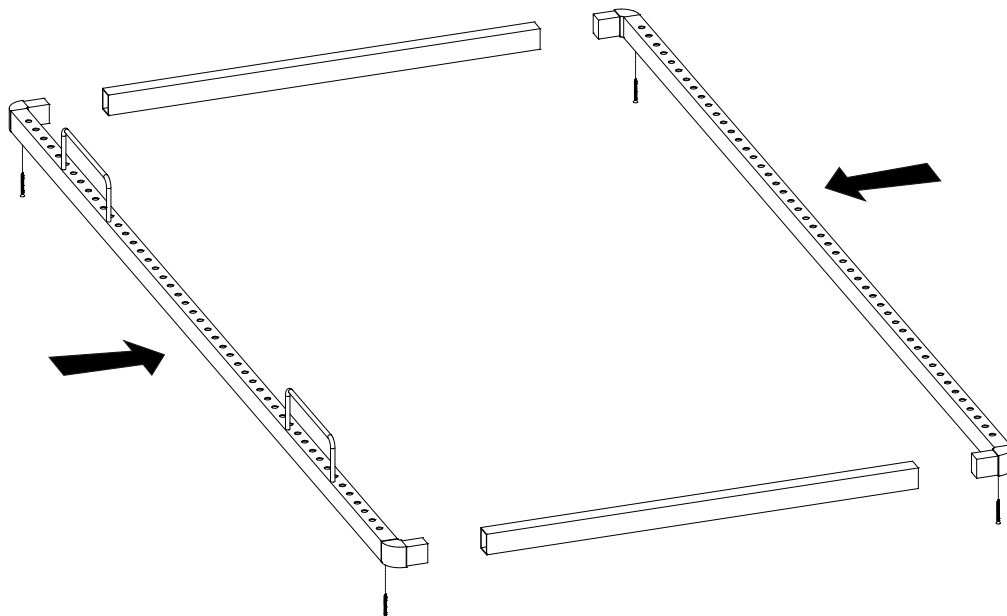
OPTION B



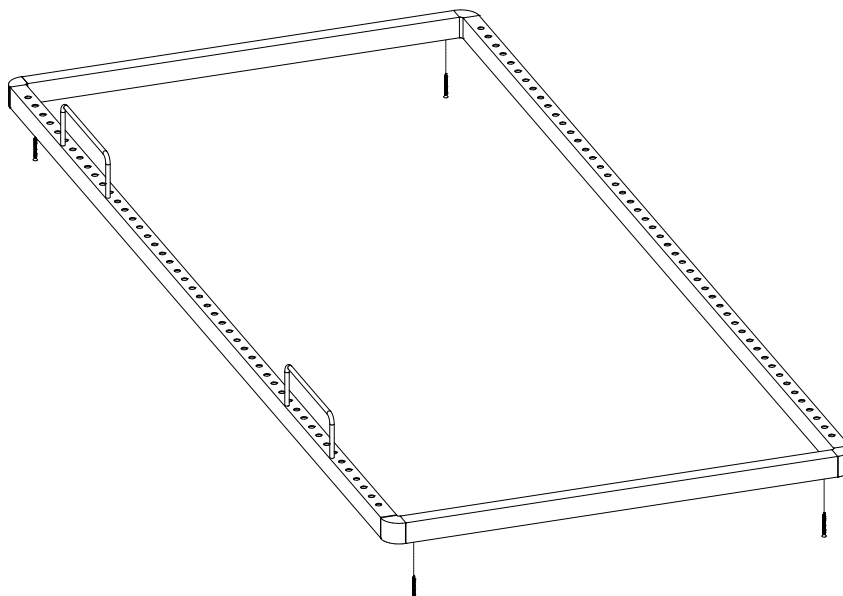
17▶



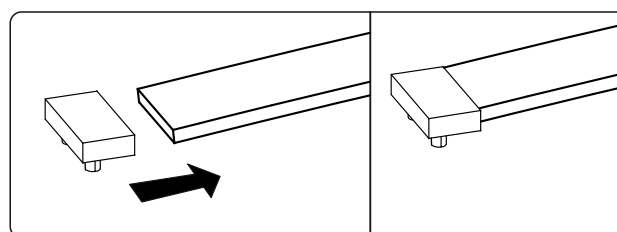
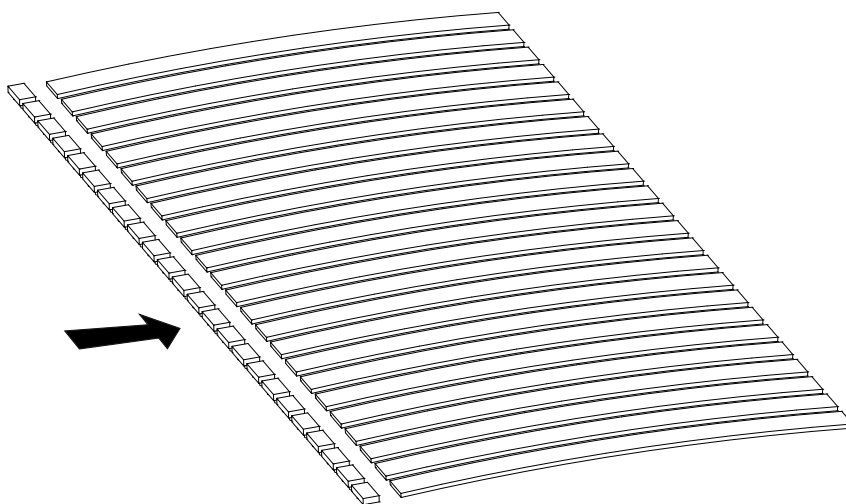
18▶

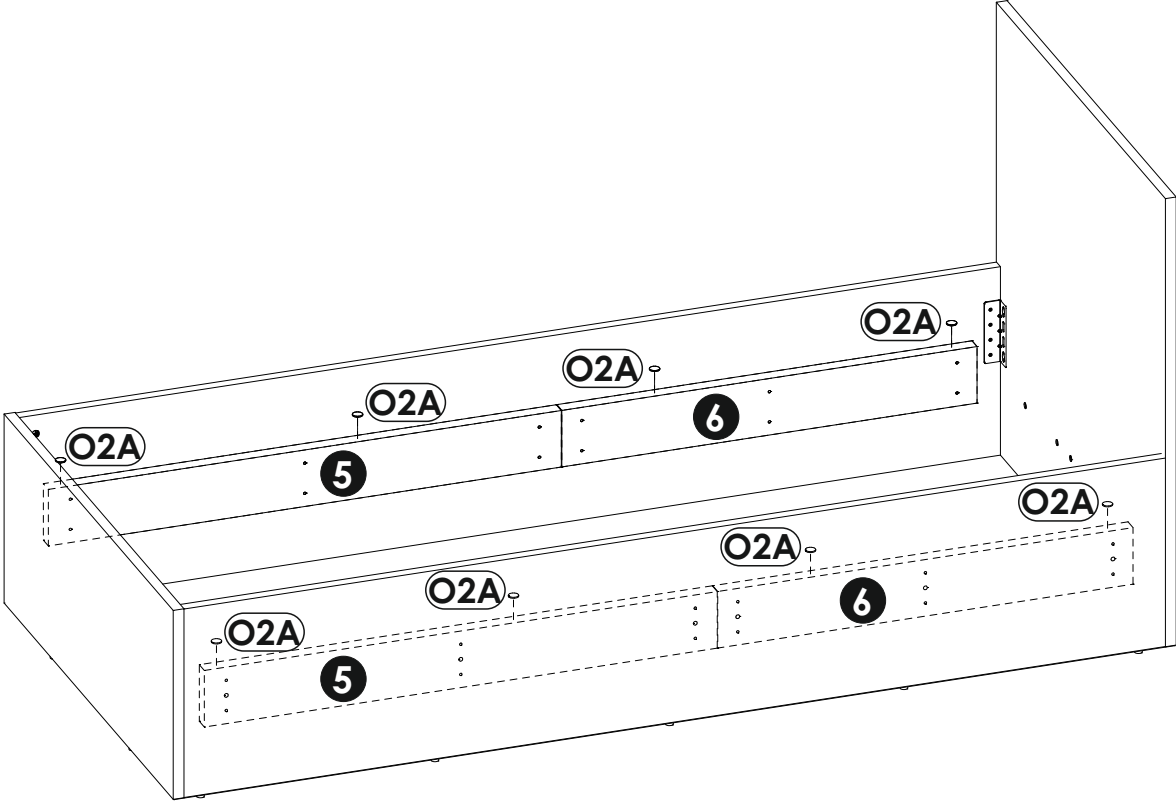


19▶



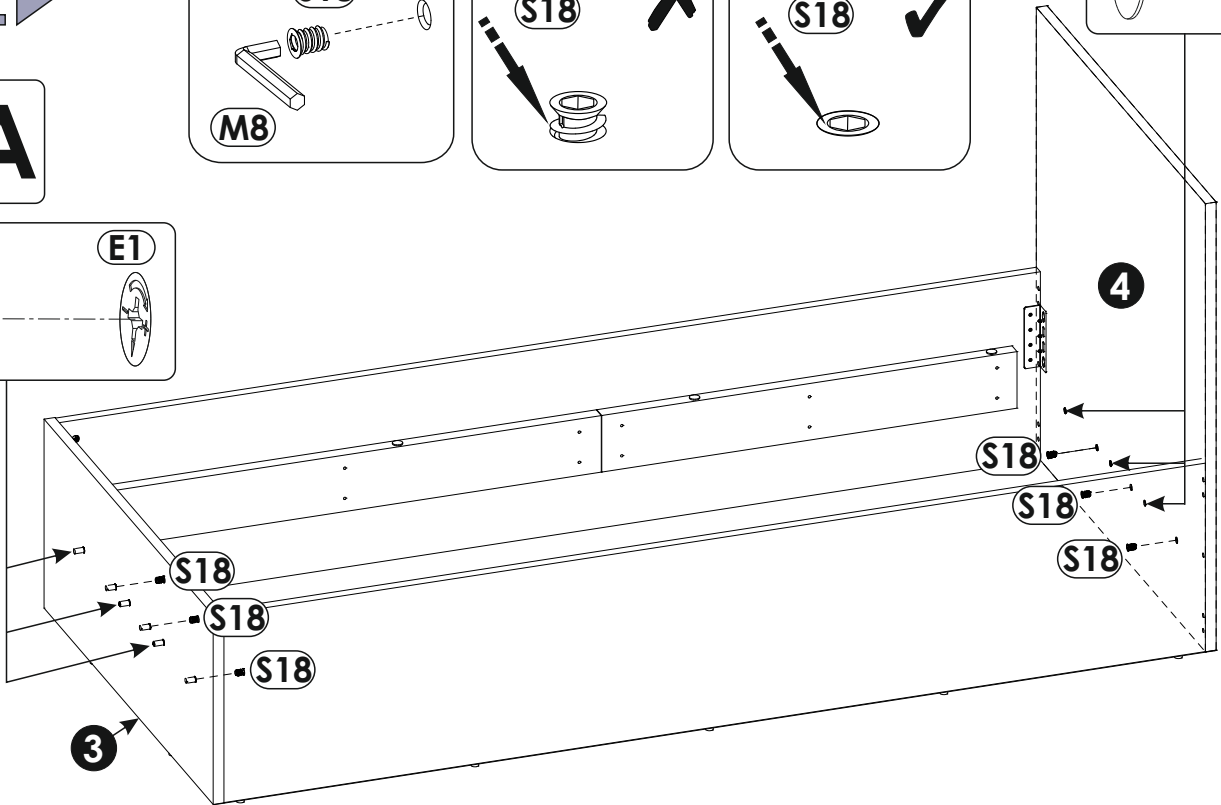
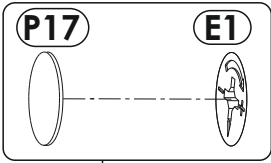
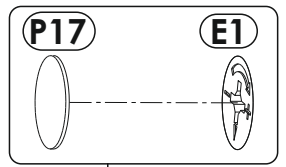
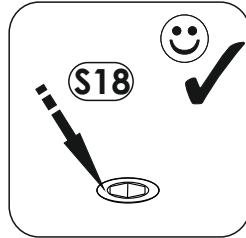
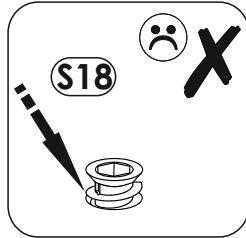
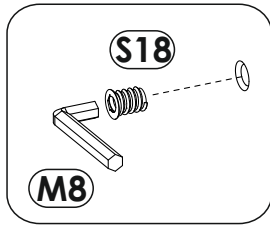
20▶



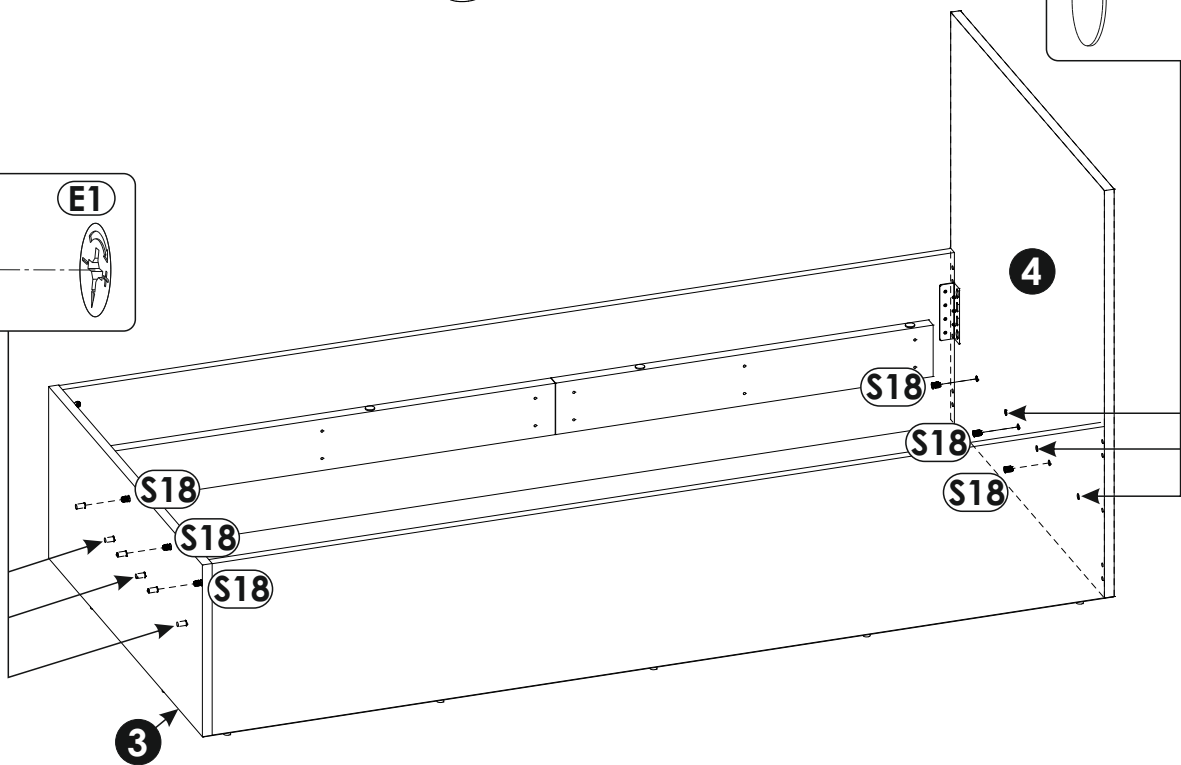
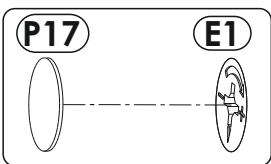
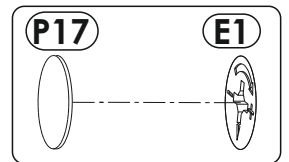
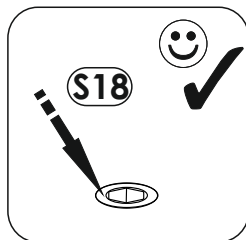
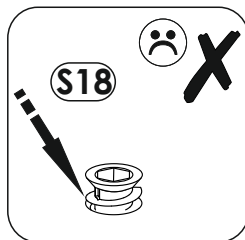
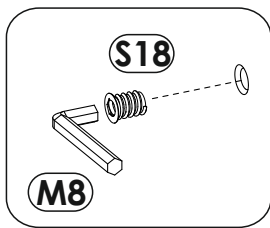


22 ▶

A

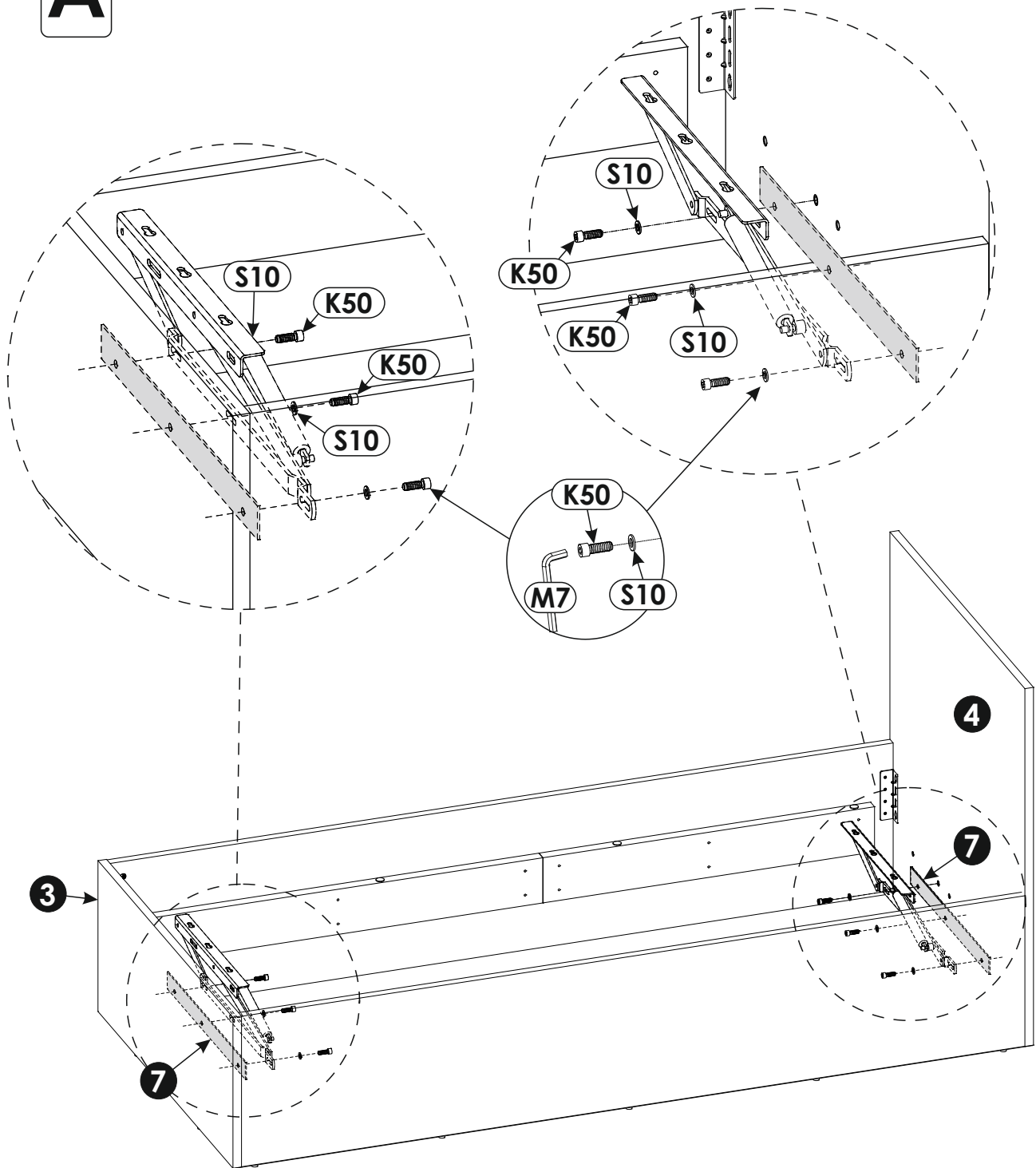


B



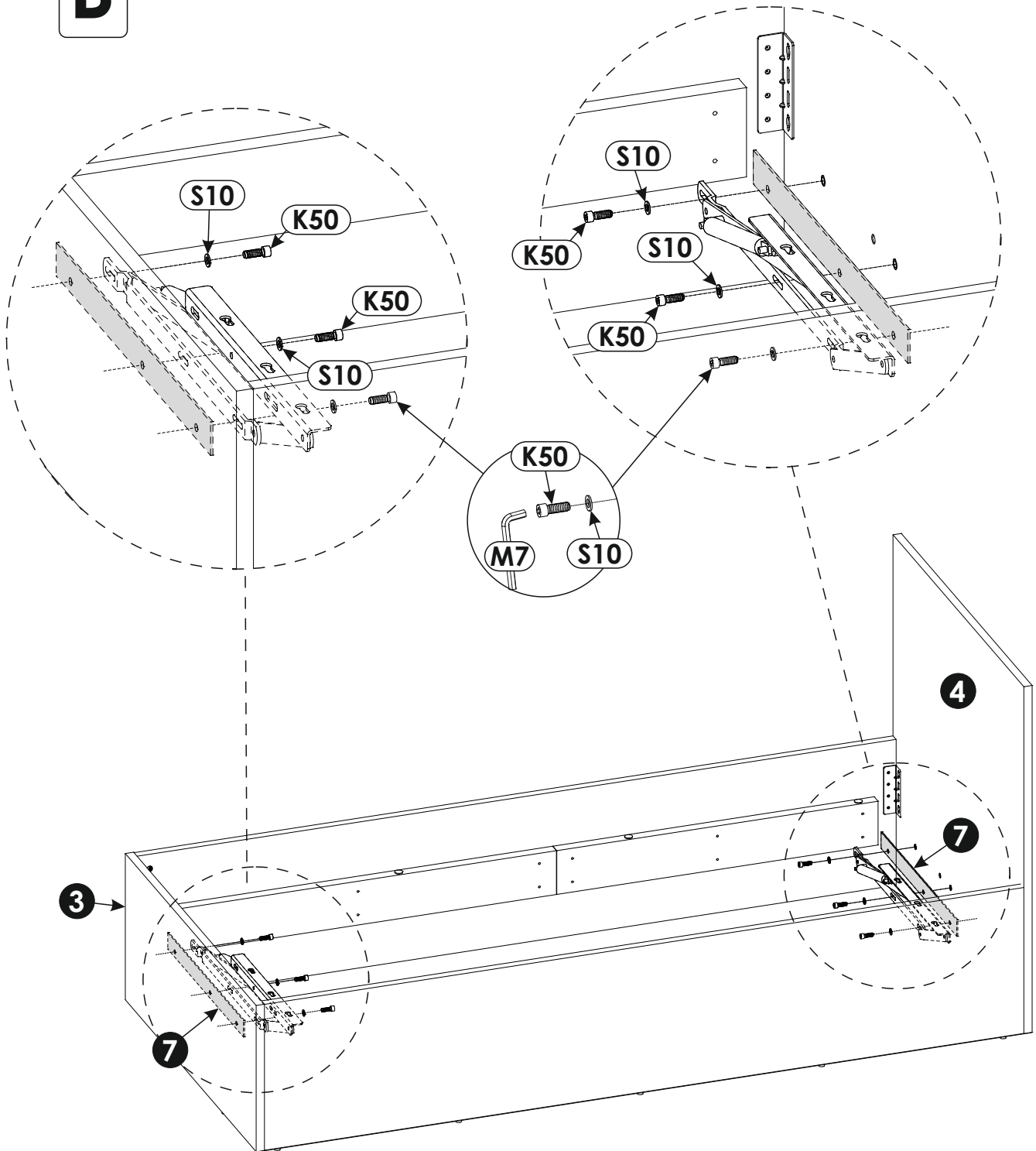
23 ▶

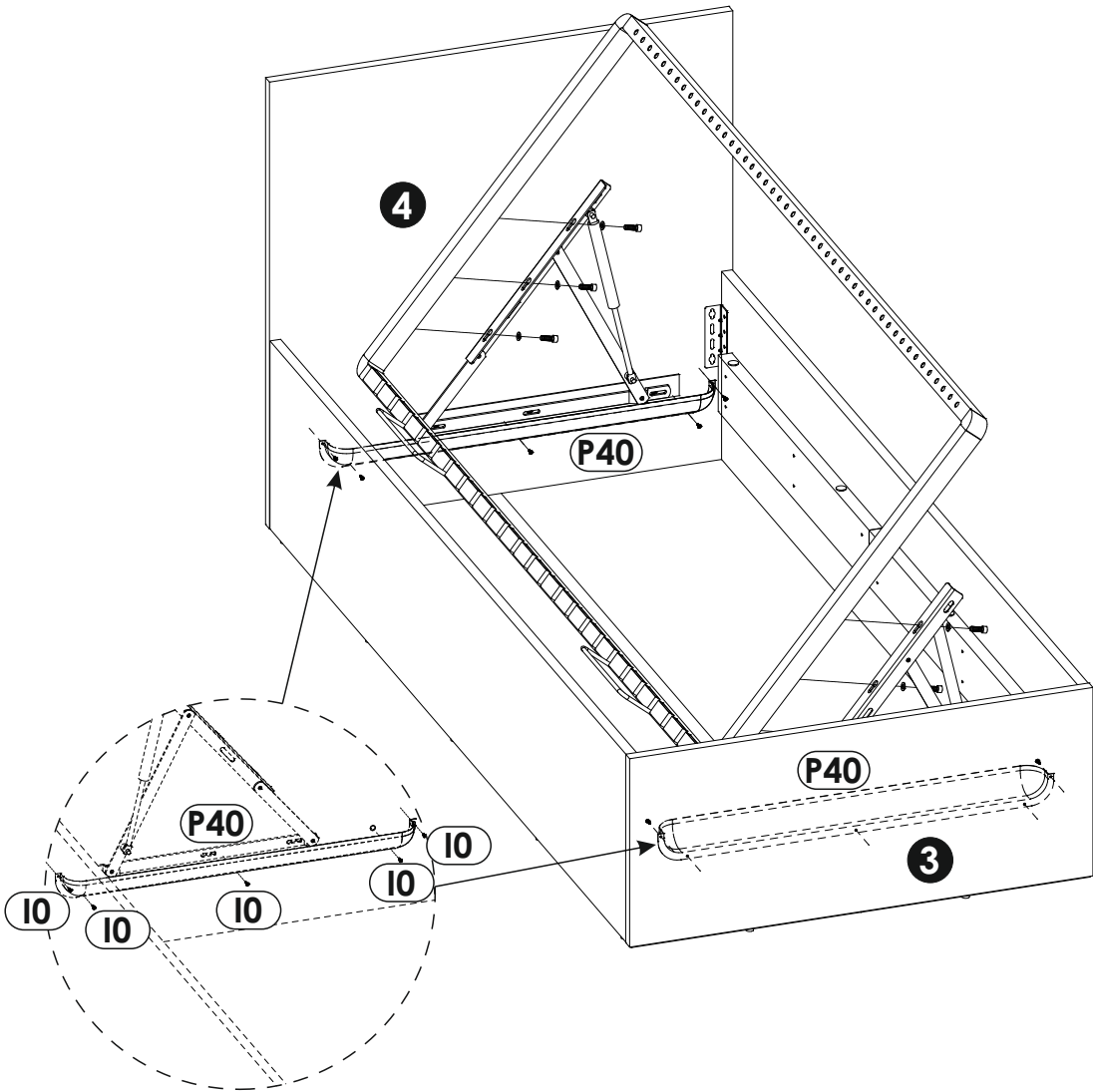
A



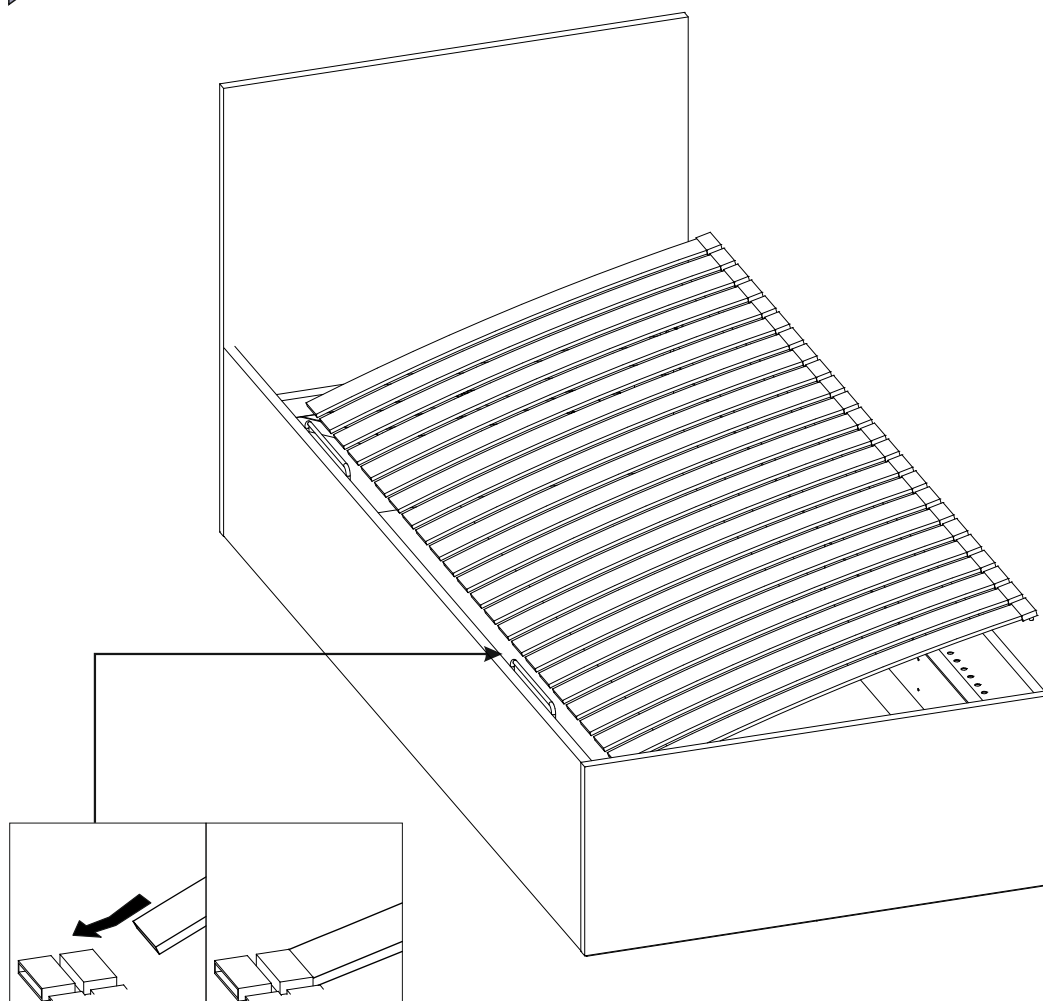
24▶

B





26 ▶



27 ▶

