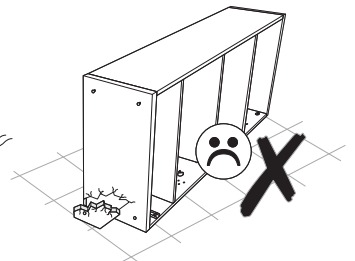
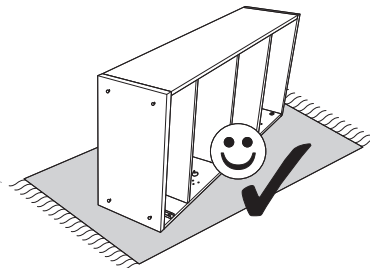
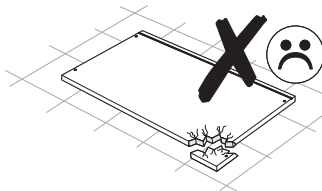
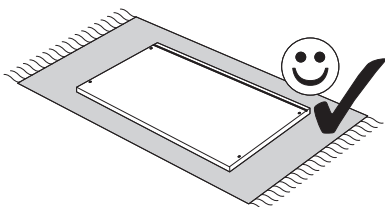
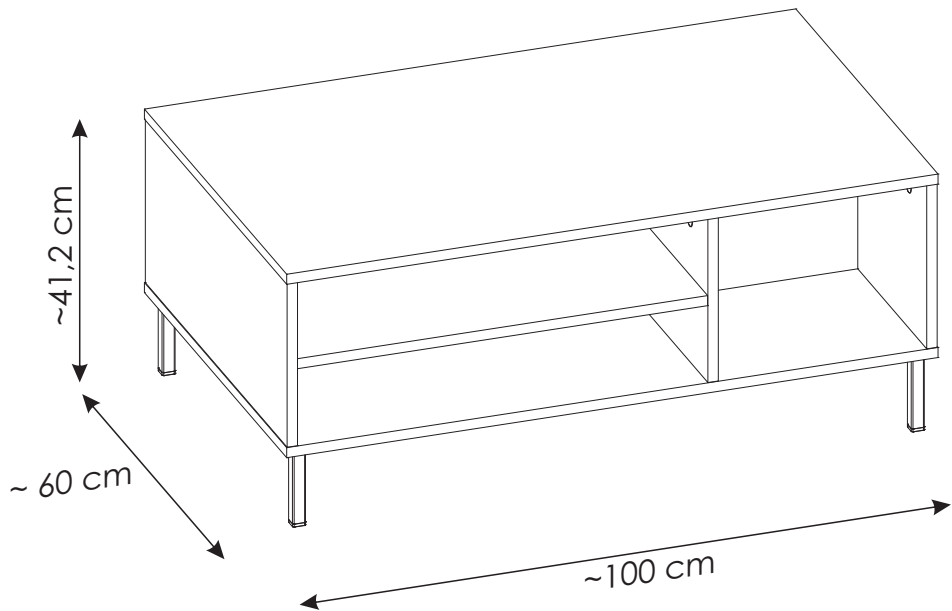
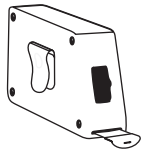
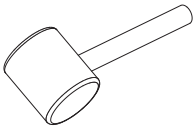
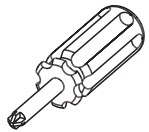
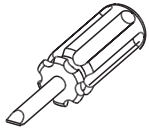
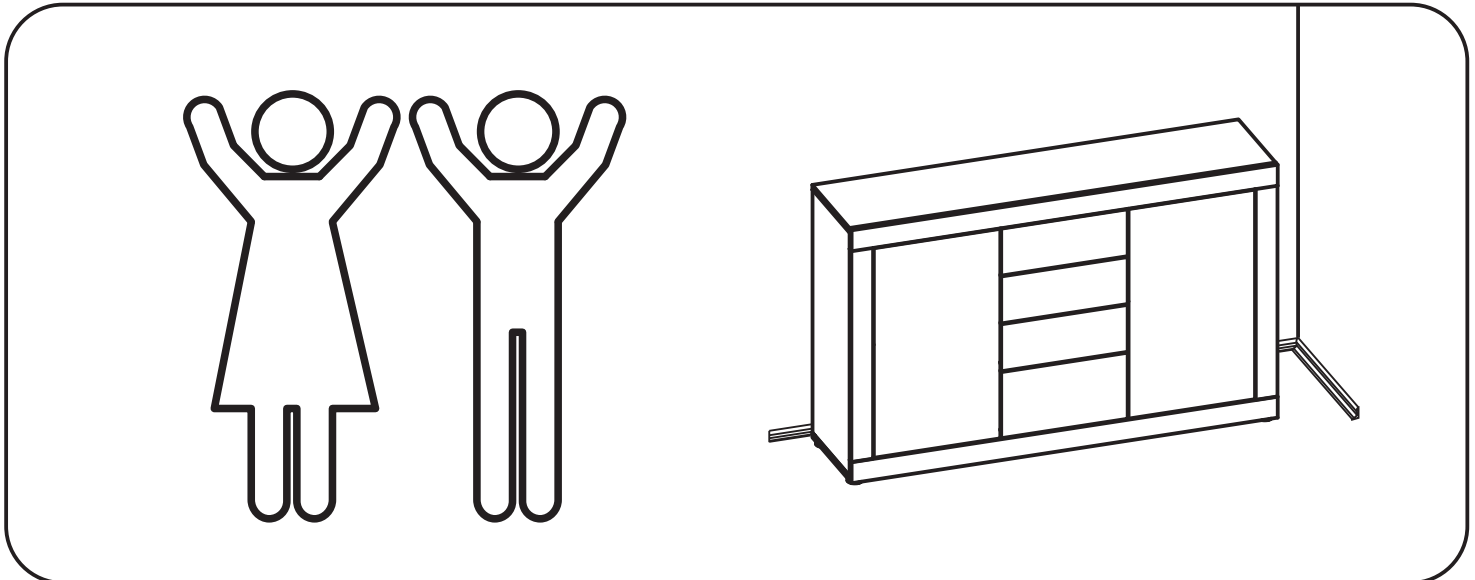
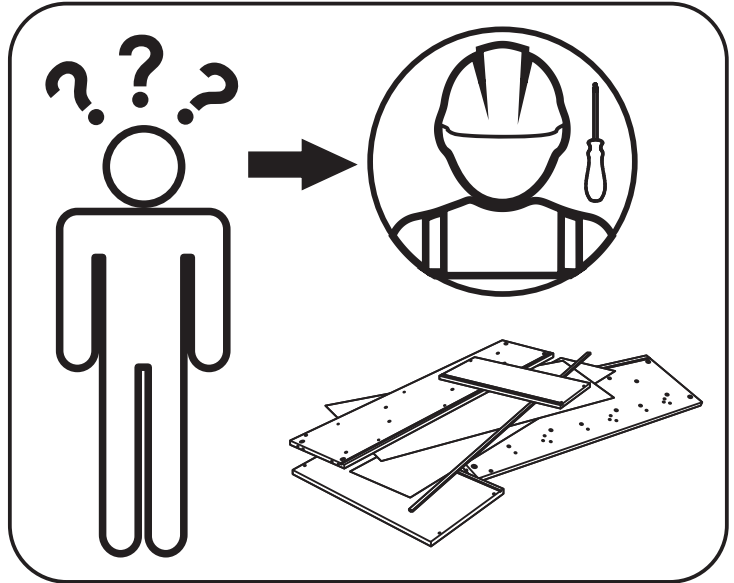
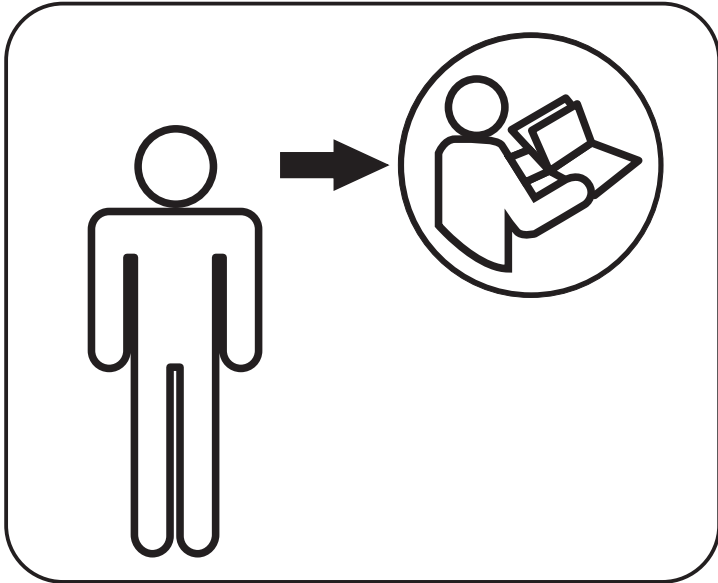
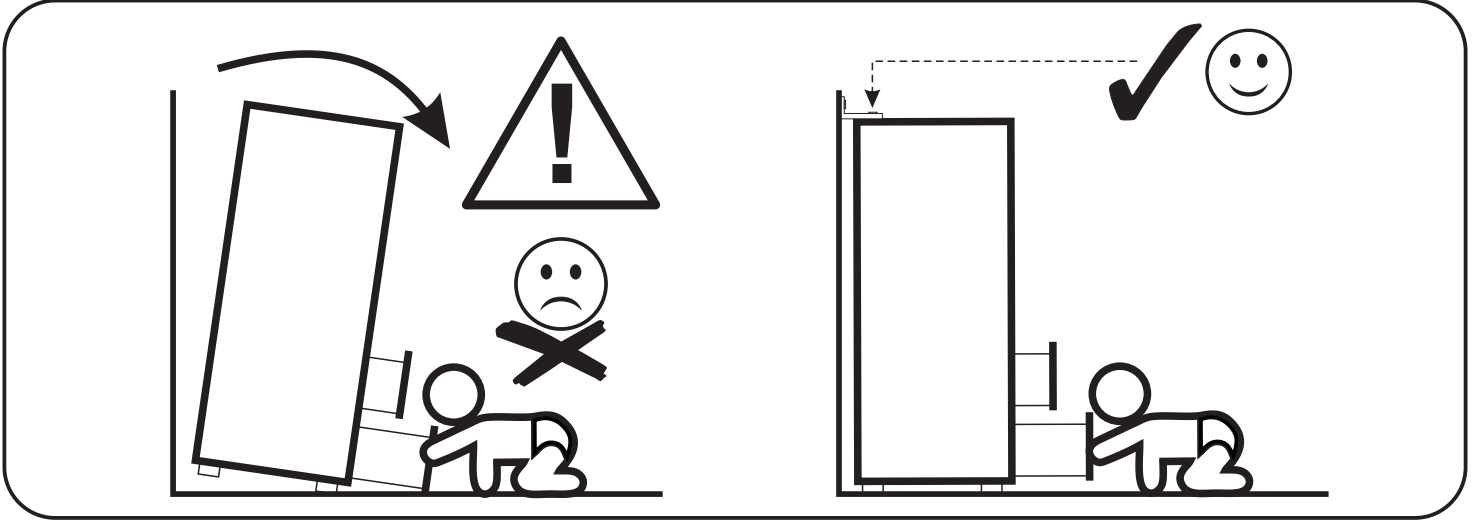



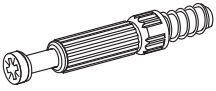

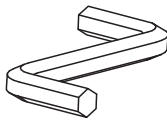
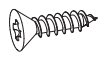
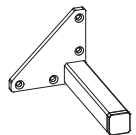
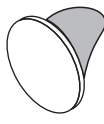


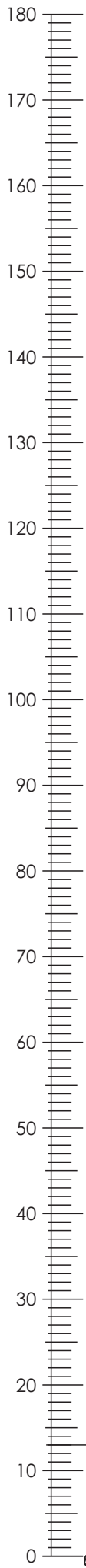
# POZT01



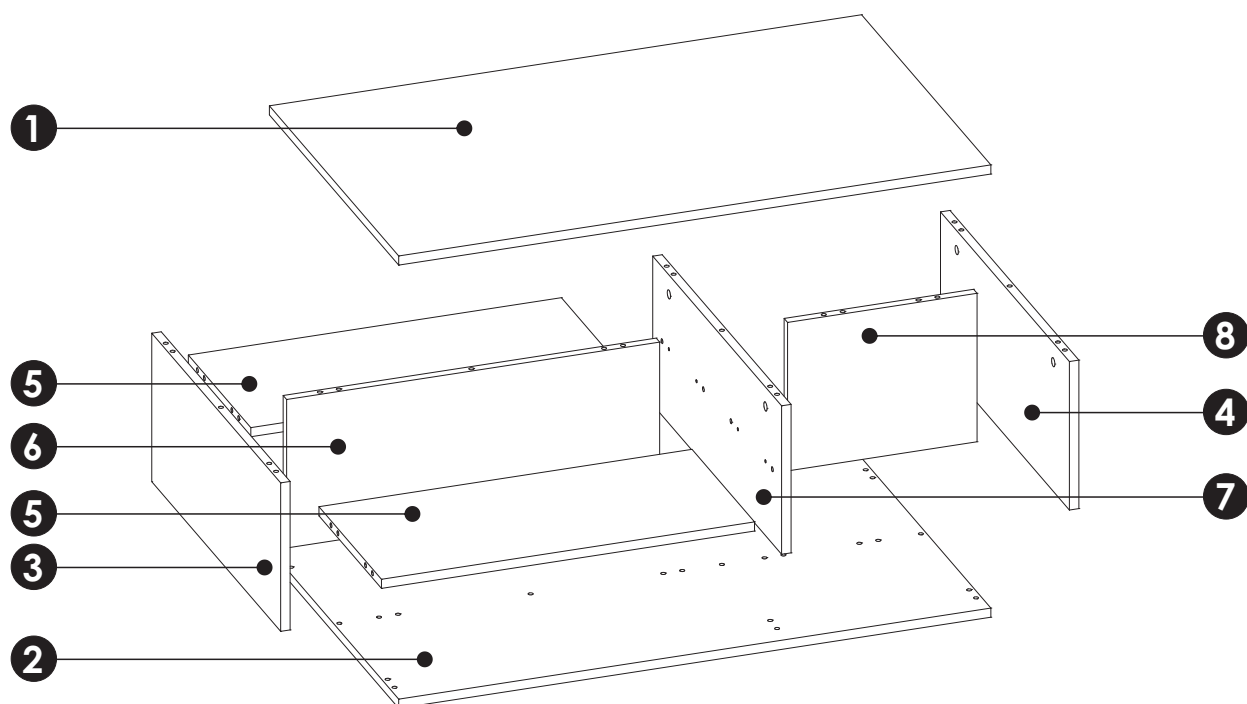
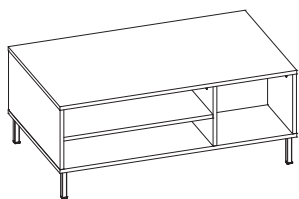


# POZT01

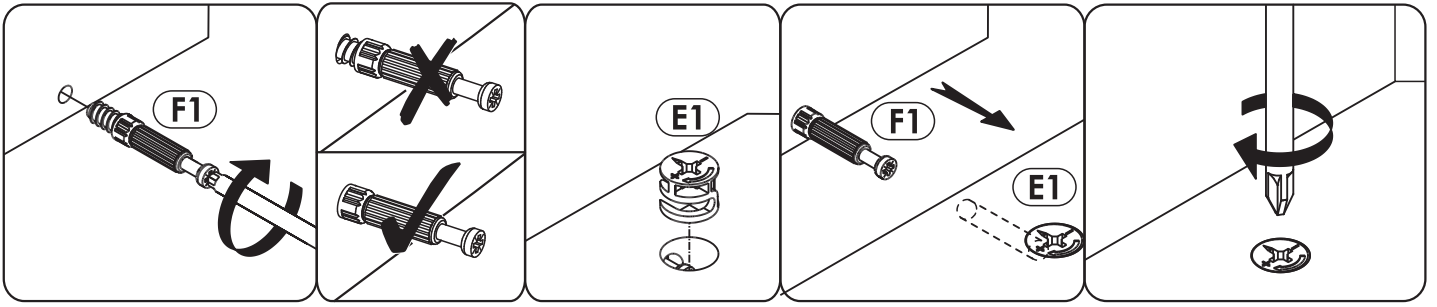
<b>A1</b> 8 x 35 mm x36 	<b>E0</b> Ø16 x4 	<b>E1</b> 15 x 12 mm x18 
<b>F1</b> 6 x 34 mm x18 	<b>G1</b> 7 x 50 mm x10 	<b>M</b> x1 
<b>N27</b> 4 x 16 mm x16 	<b>O17</b> x4 	<b>P17</b> x14  ø20



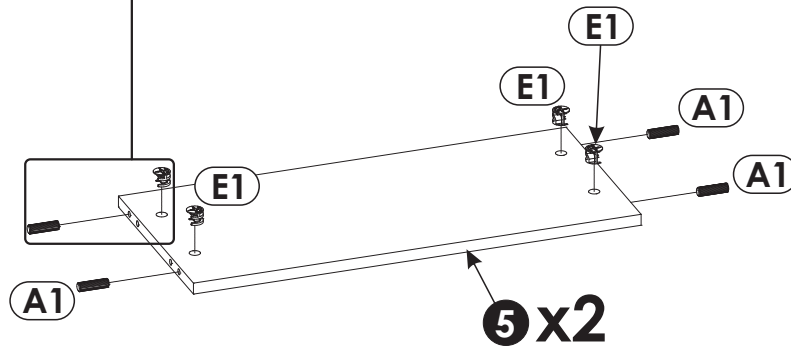
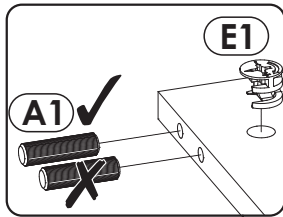
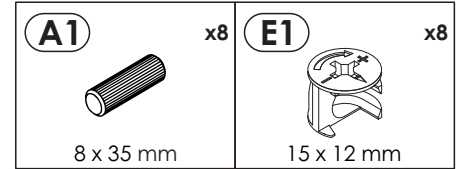
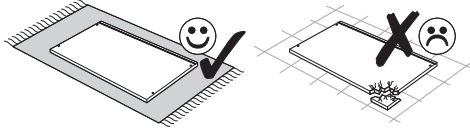
# POZT01



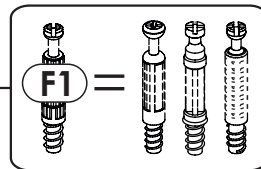
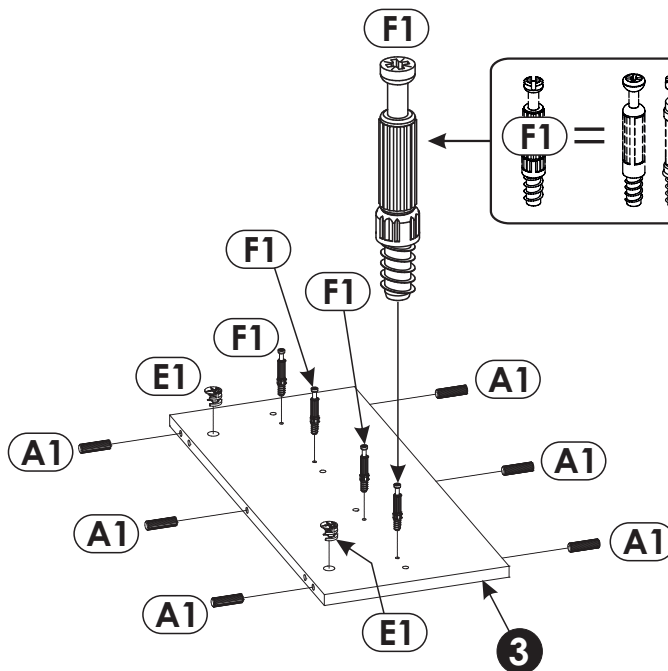
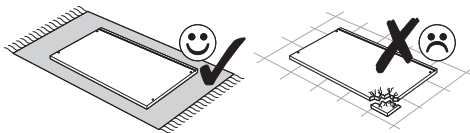
<b>1</b>	1000	600	16	x1	1/1
<b>2</b>	1000	600	16	x1	1/1
<b>3</b>	260	598	16	x1	1/1
<b>4</b>	260	598	16	x1	1/1
<b>5</b>	630	290	16	x2	1/1
<b>6</b>	260	630	16	x1	1/1
<b>7</b>	260	598	16	x1	1/1
<b>8</b>	260	320	16	x1	1/1

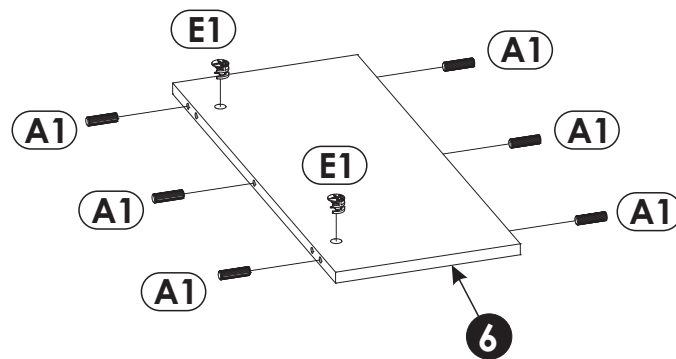
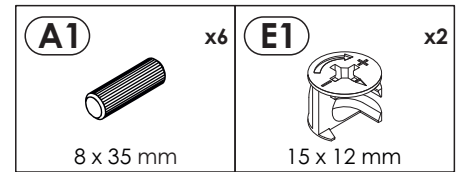
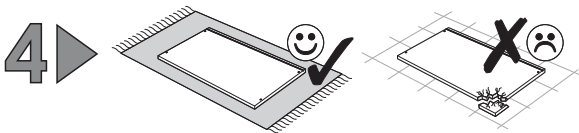
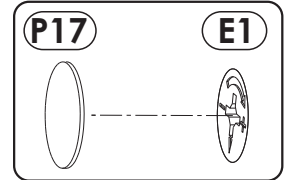
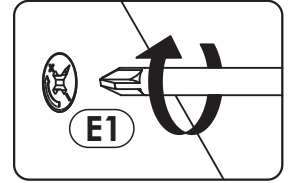
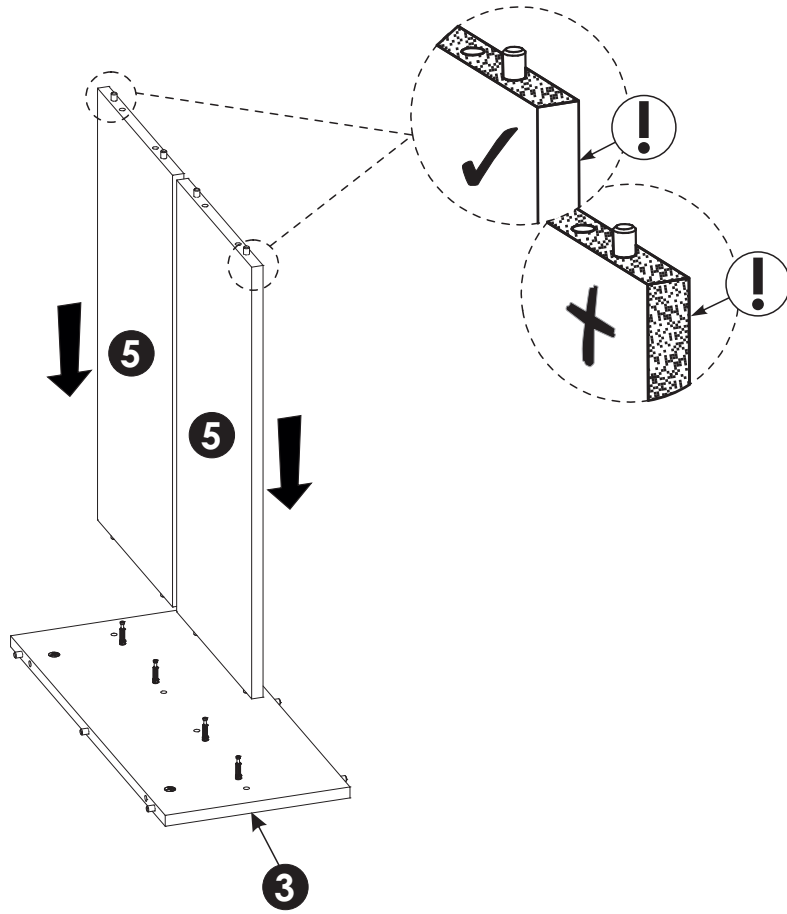
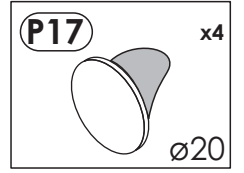
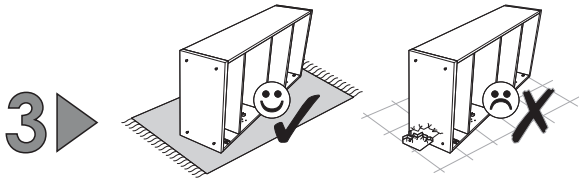


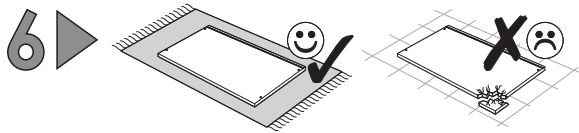
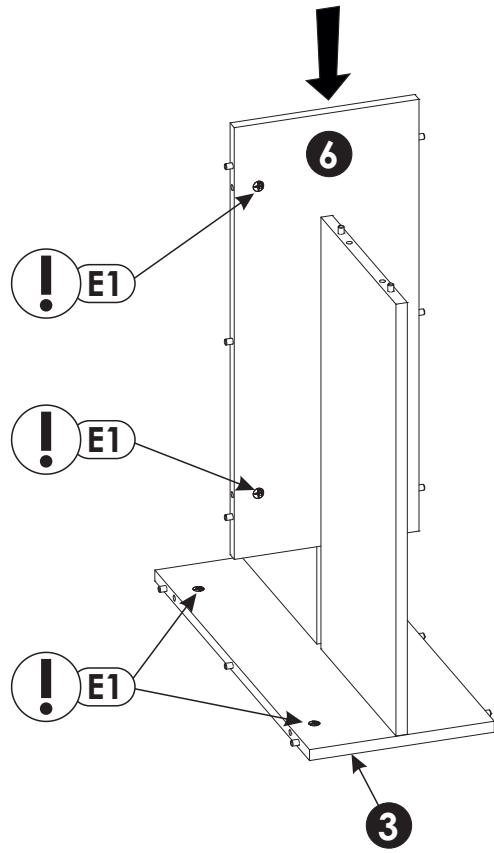
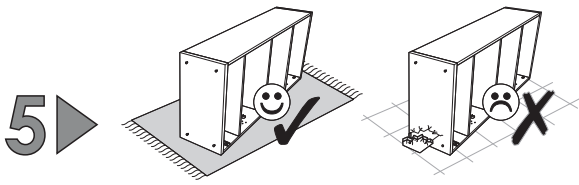
1 ▶

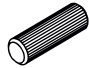

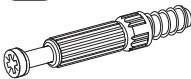


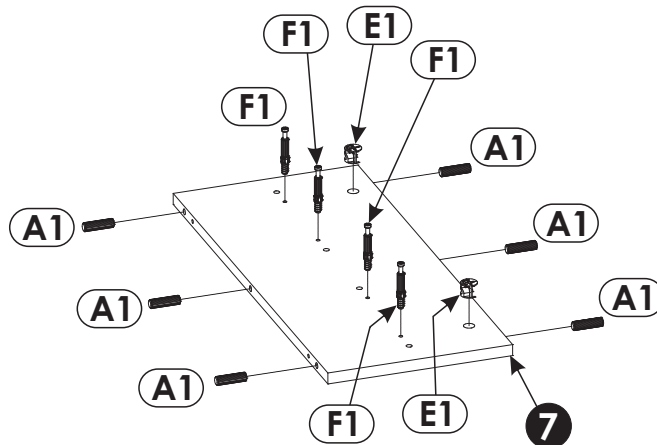
2 ▶

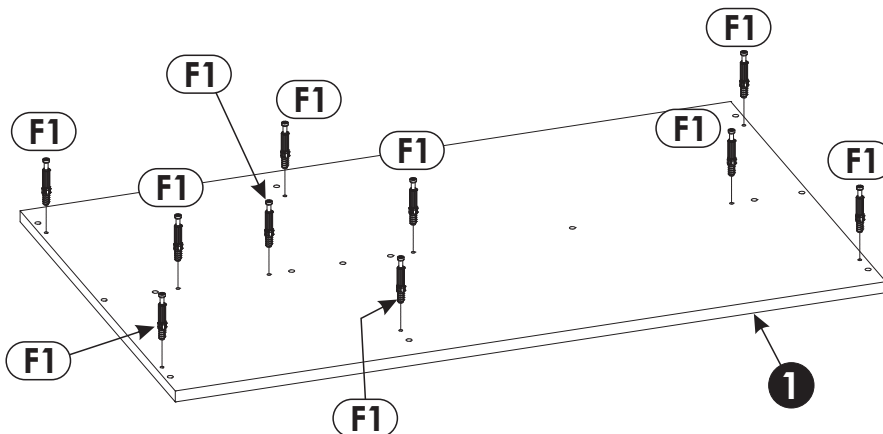
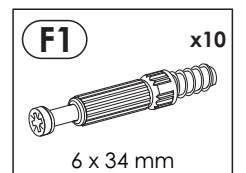
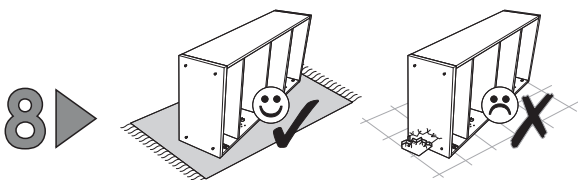
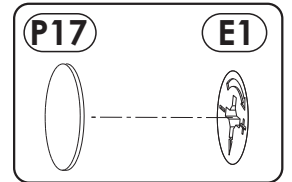
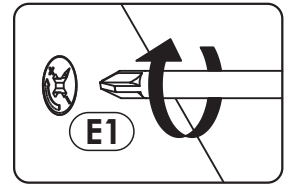
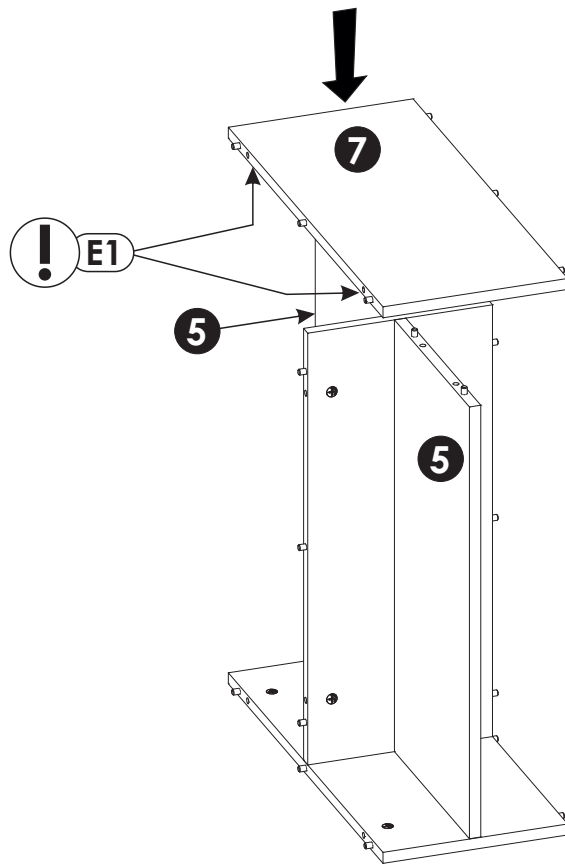
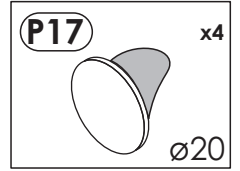
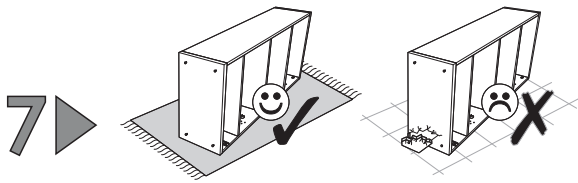




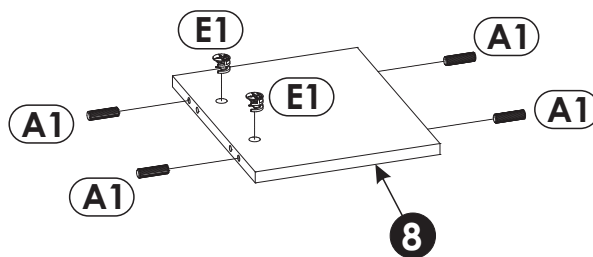
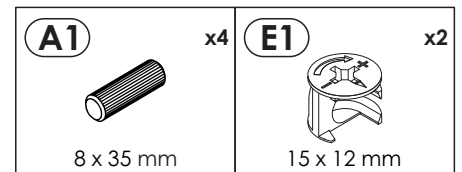
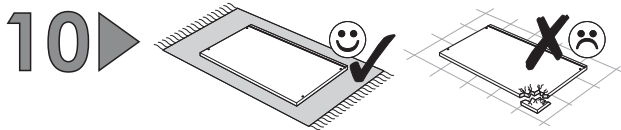
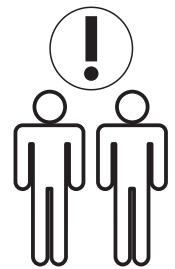
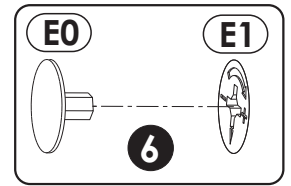
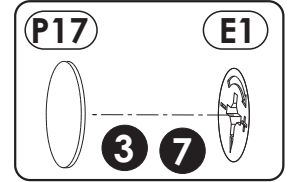
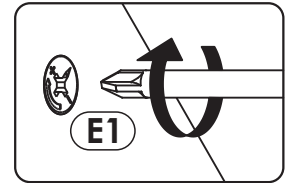
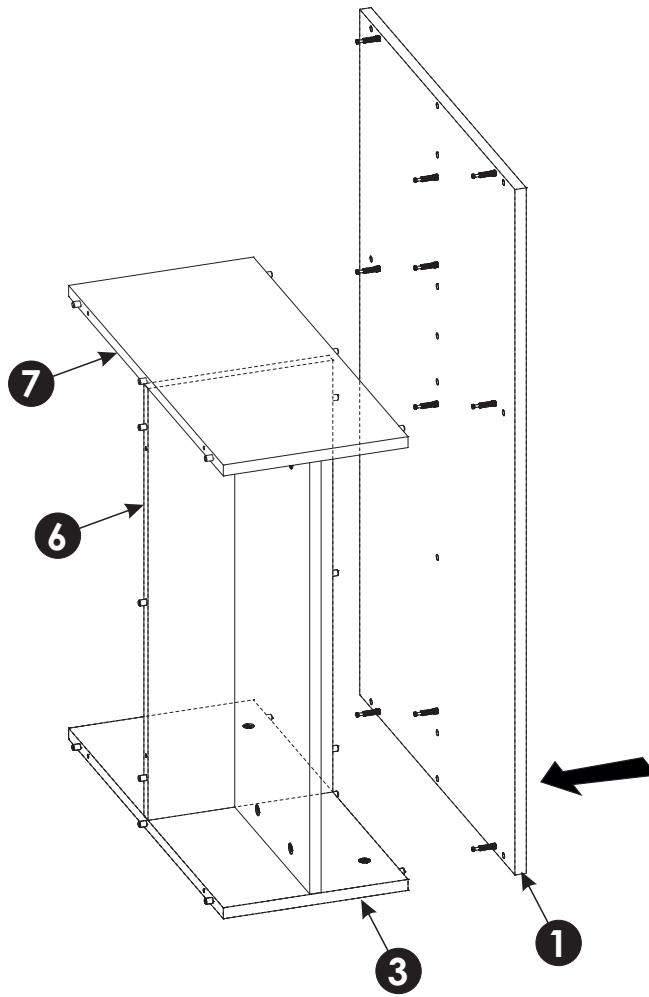
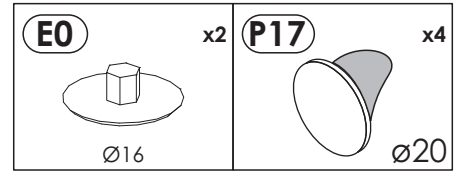
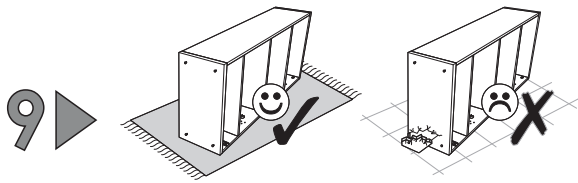


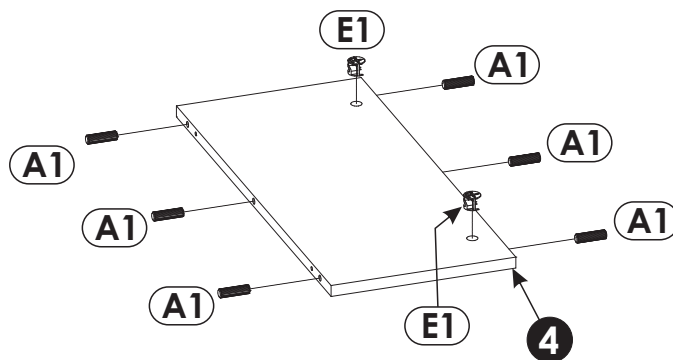
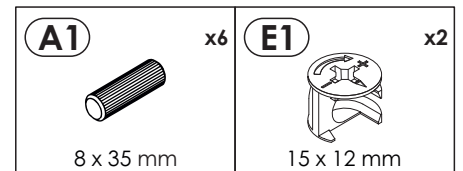
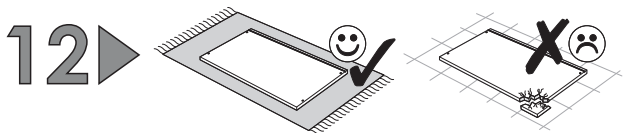
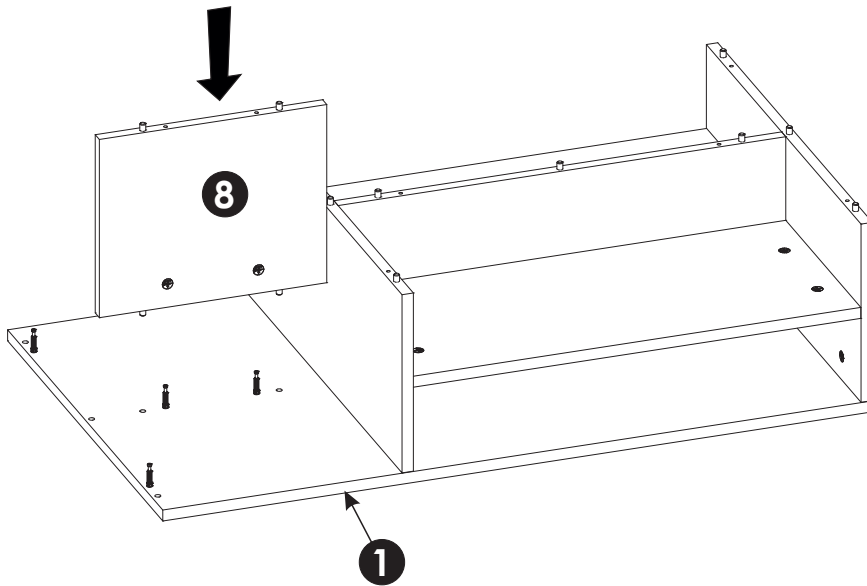
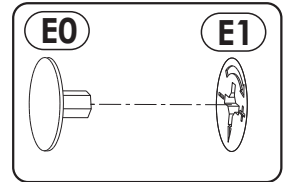
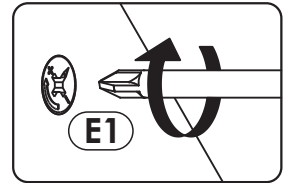
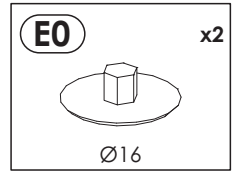
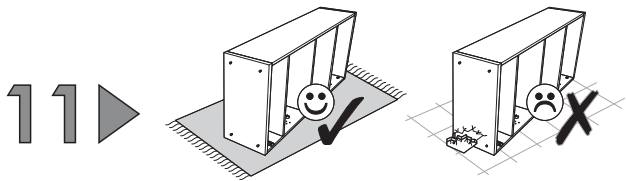
<p><b>A1</b> x6</p>  <p>8 x 35 mm</p>	<p><b>E1</b> x2</p>  <p>15 x 12 mm</p>	<p><b>F1</b> x4</p>  <p>6 x 34 mm</p>
---	---	--

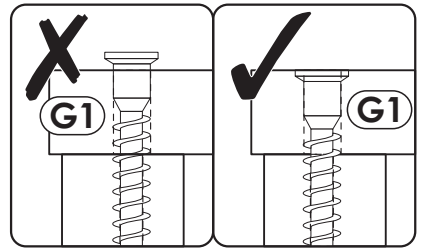
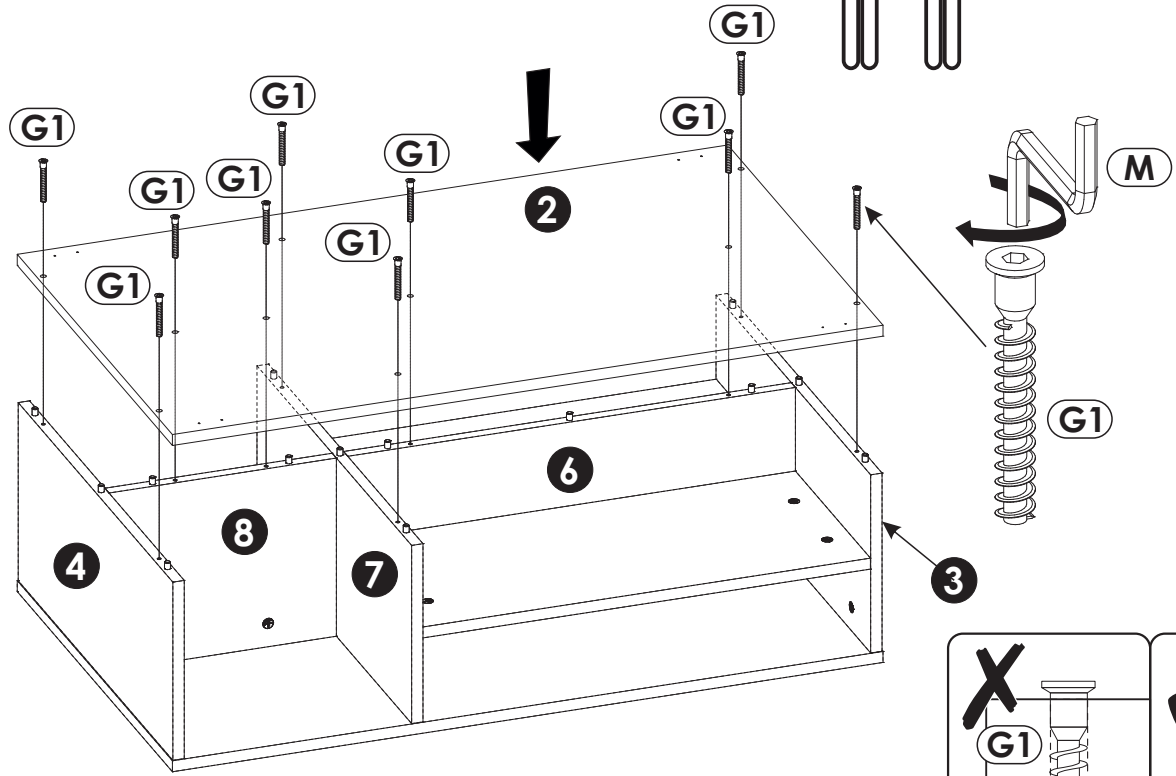
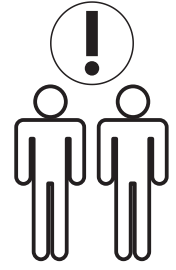
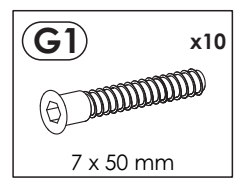
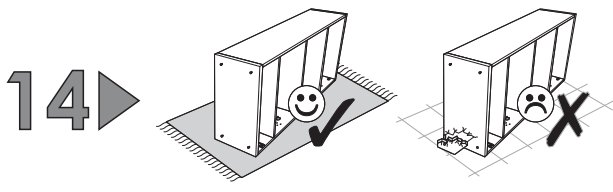
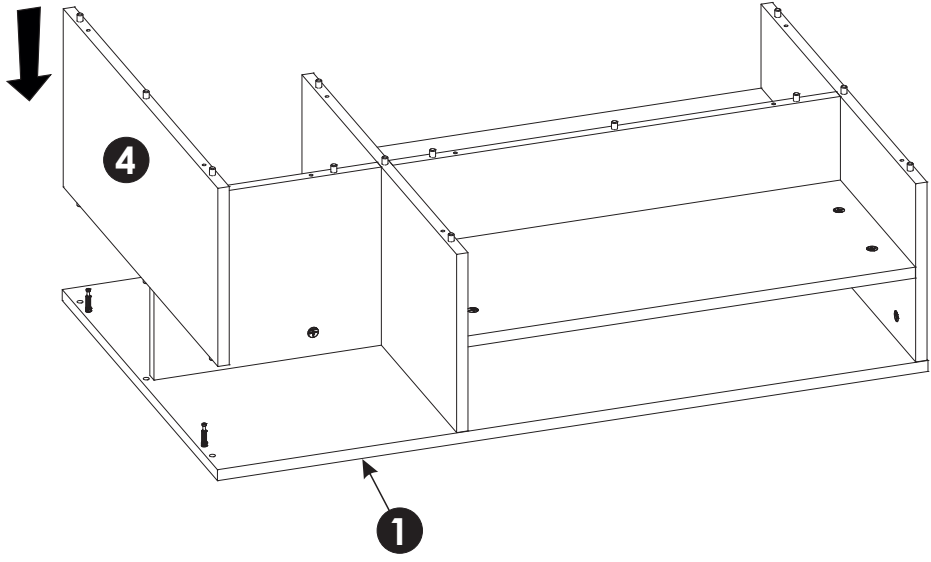
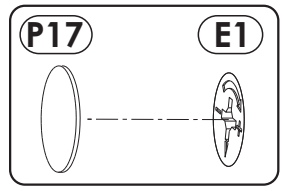
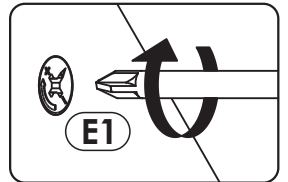
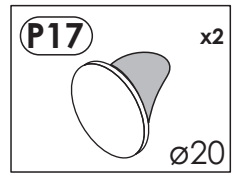
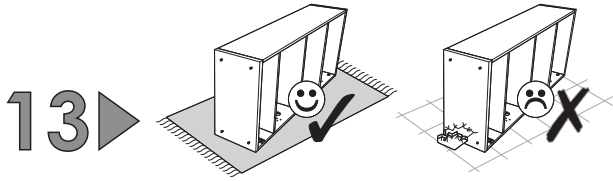




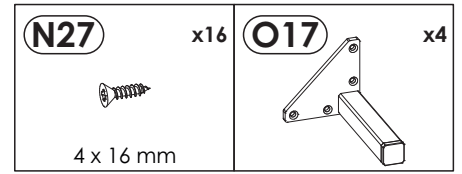
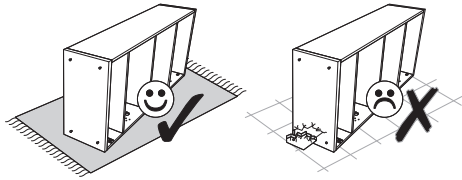




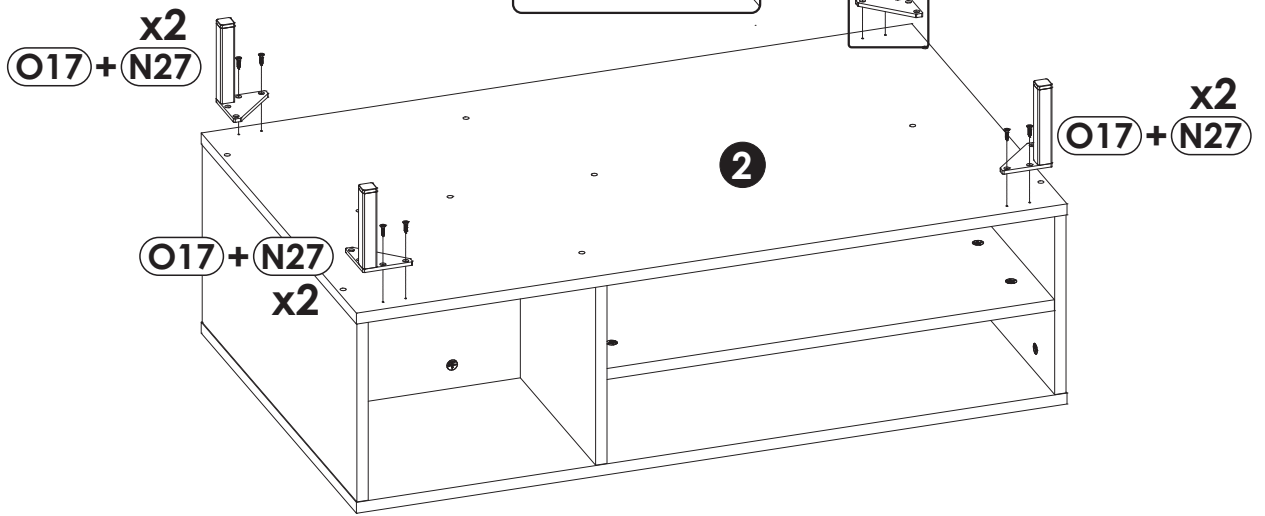




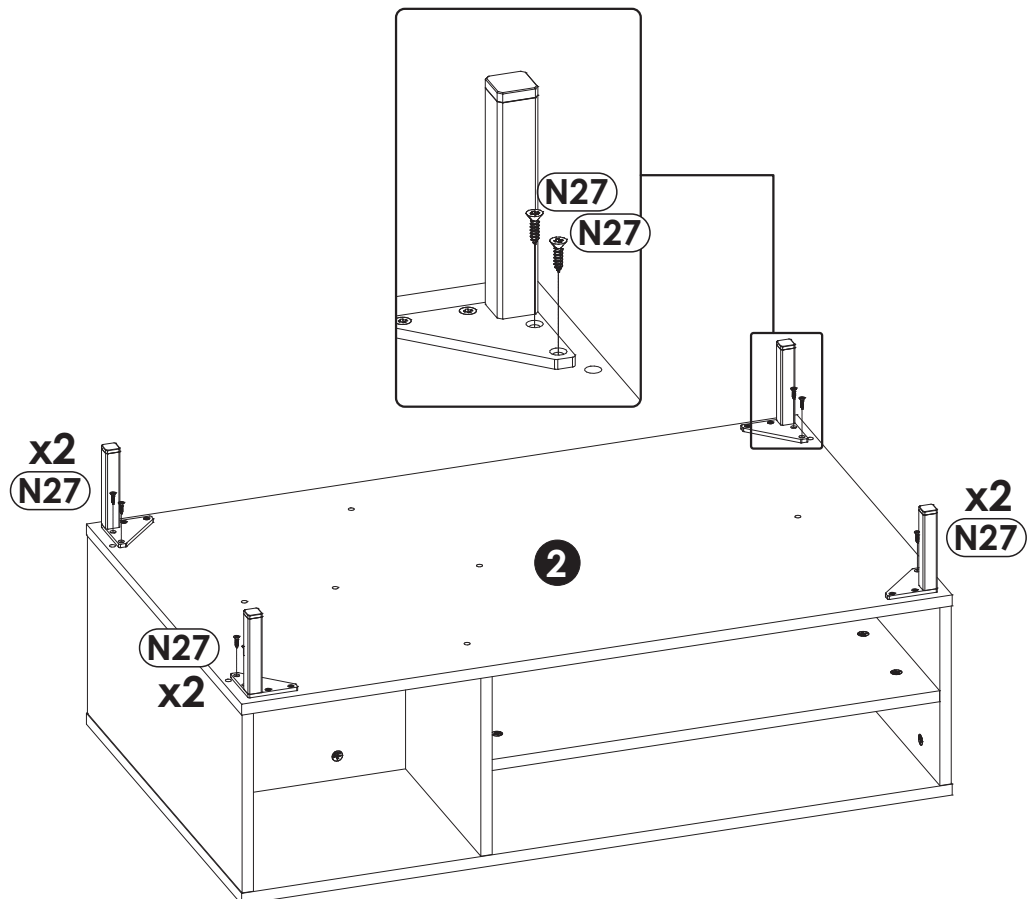
15 ▶



a)



b)



16 ▶

