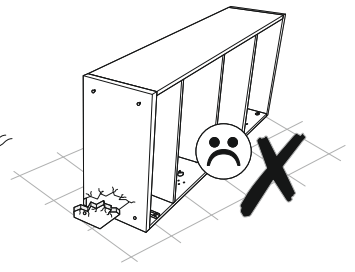
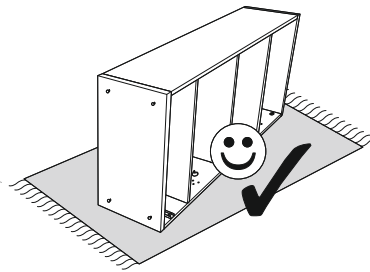
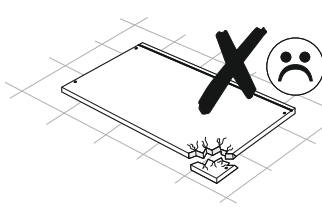
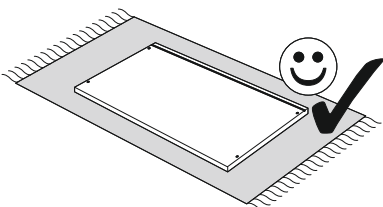
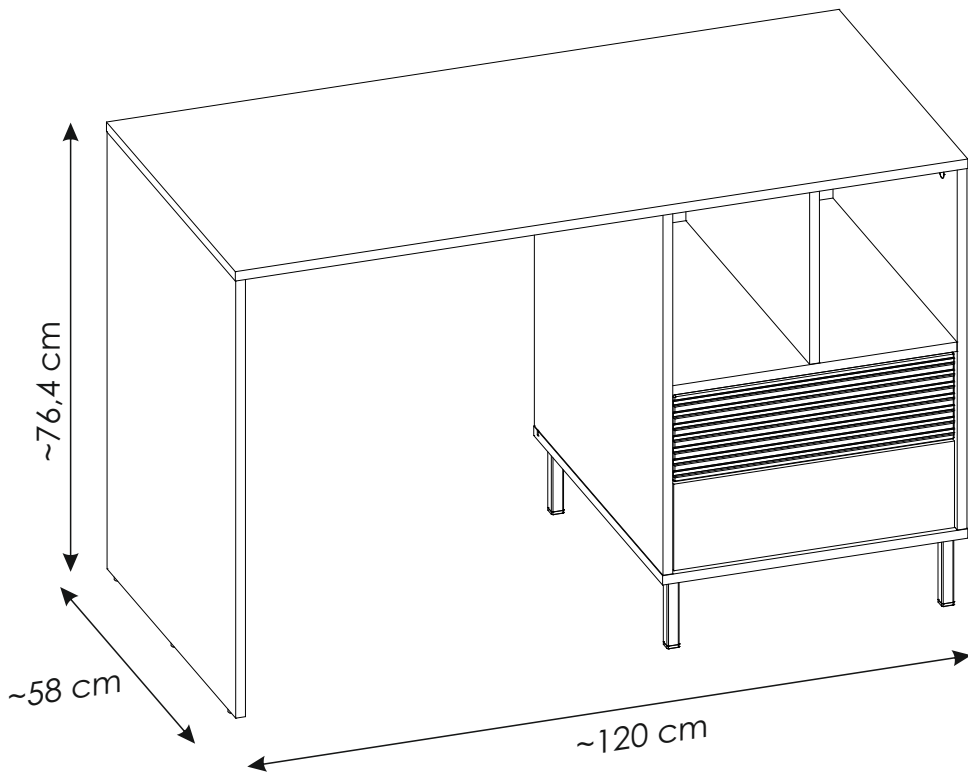
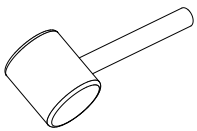
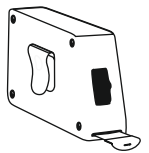
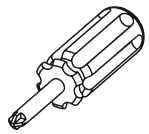
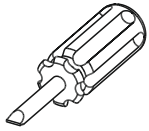
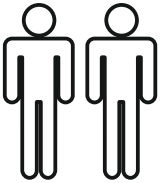
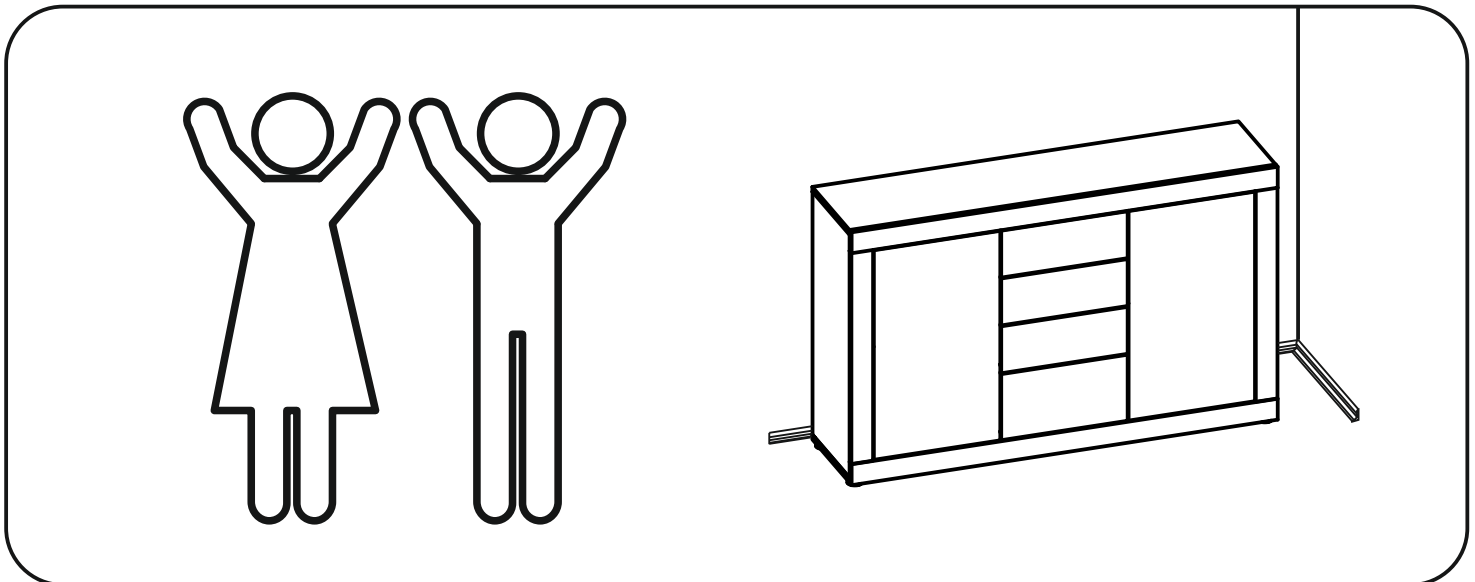
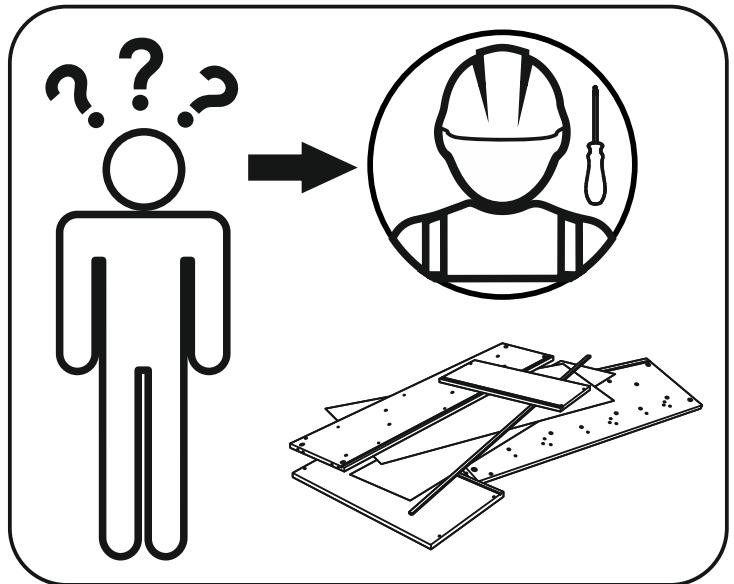
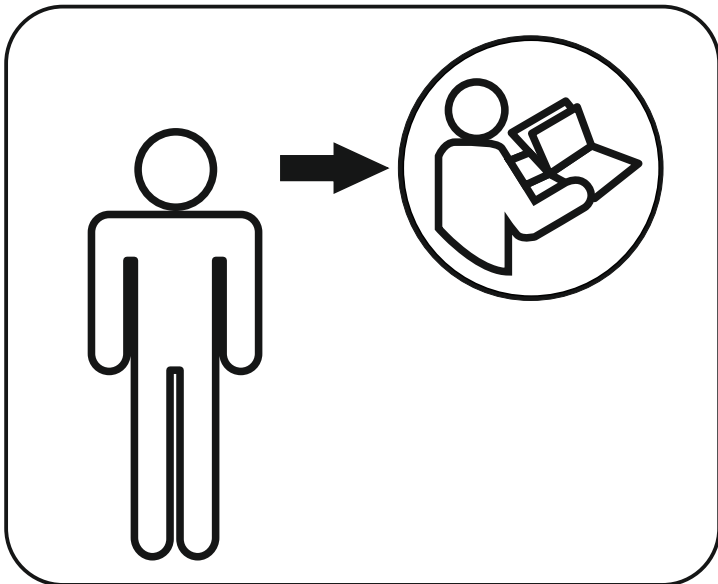
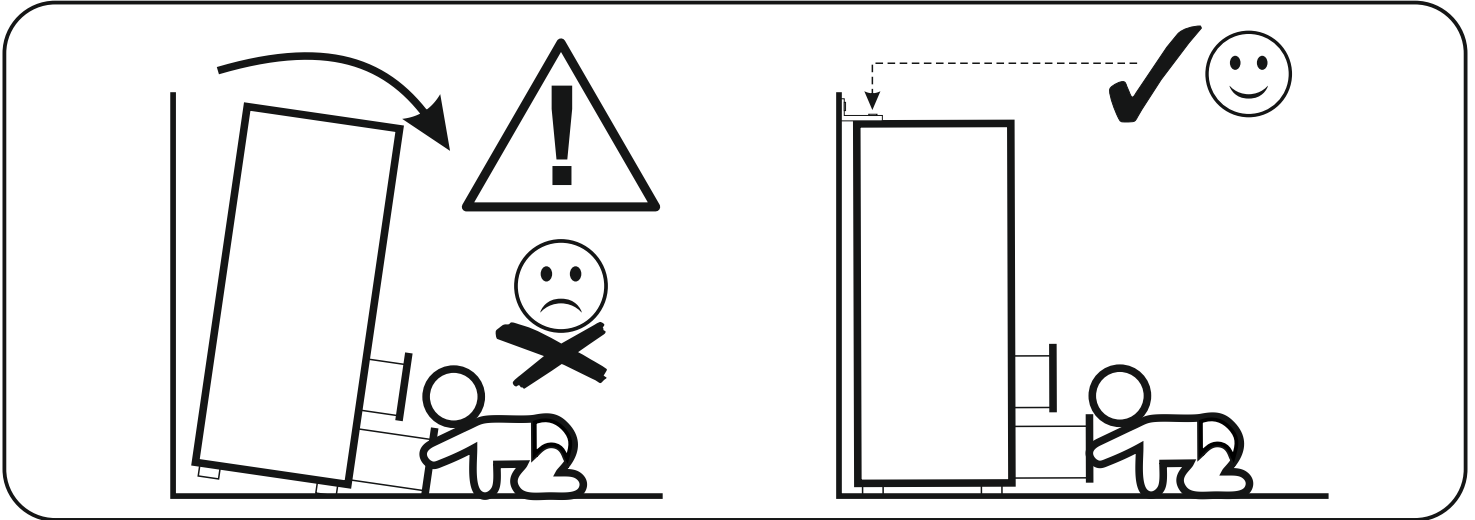
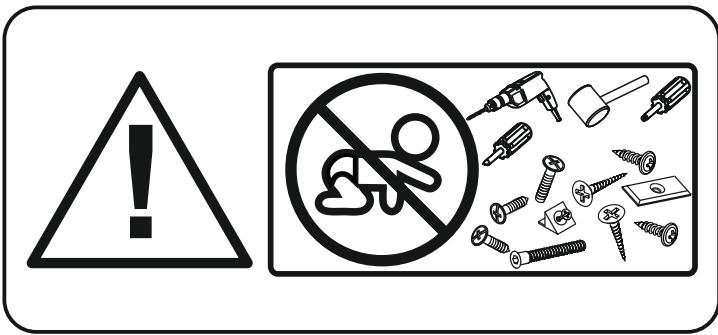
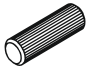
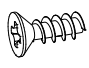

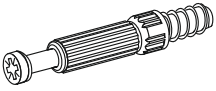
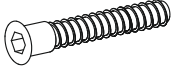
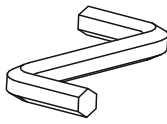
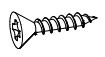
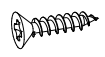
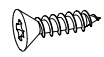
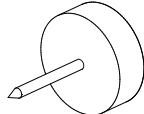
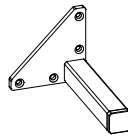
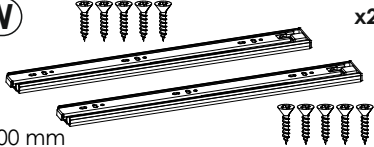
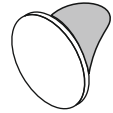
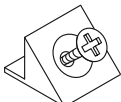
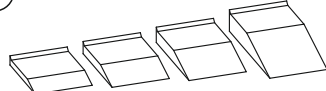


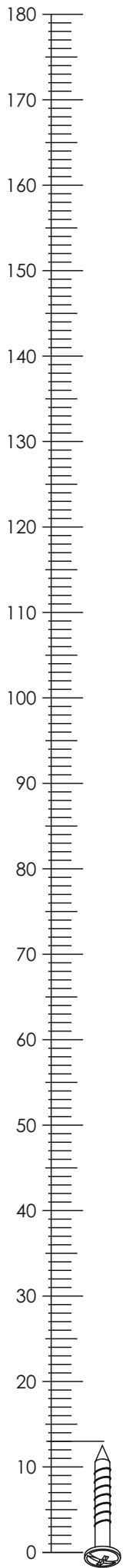
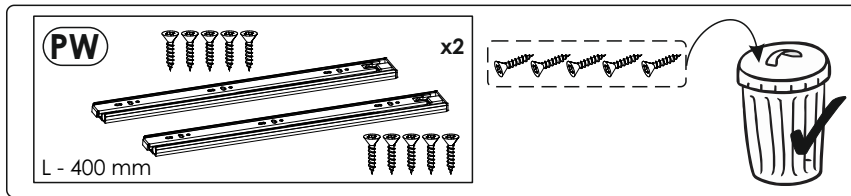
# POZB01



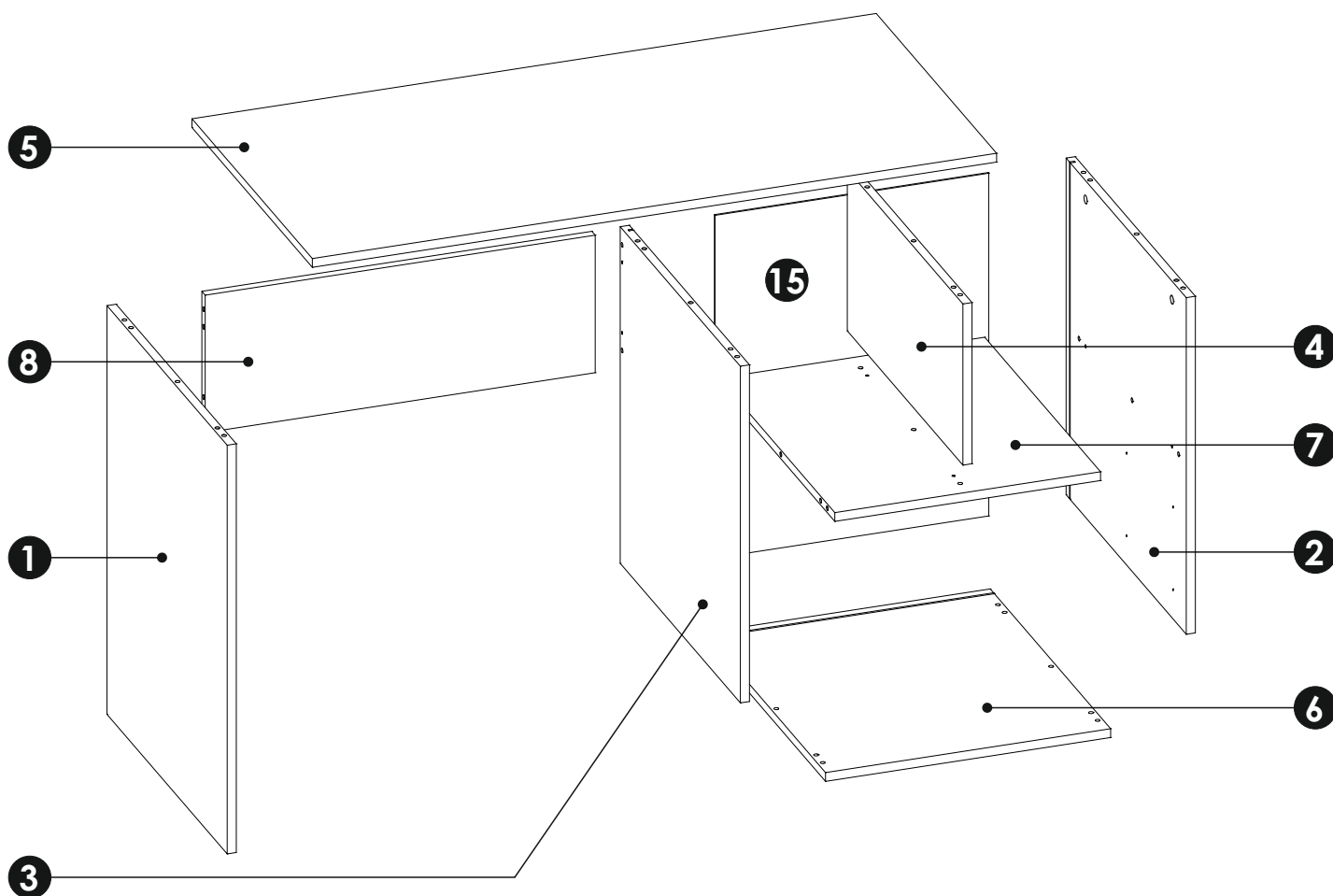
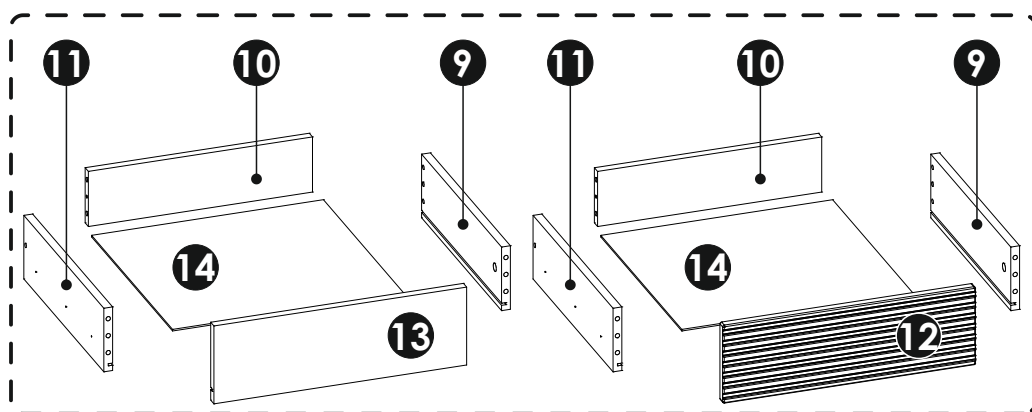
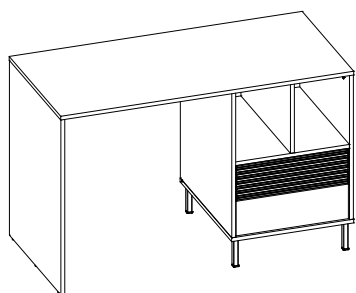


# POZB01

|  |  |   |
|--|--|---|
| <b>A1</b> 8 x 35 mm x47<br> | <b>C2</b> 5 x 13 mm x8<br>    | <b>E1</b> 15 x 12 mm x22<br>   |
| <b>F1</b> 6 x 34 mm x22<br> | <b>G1</b> 7 x 50 mm x8<br>    | <b>M</b> x1<br>                |
| <b>N1</b> 3 x 16 mm x15<br> | <b>N5</b> 3,5 x 16 mm x12<br> | <b>N27</b> 4 x 16 mm x16<br>   |
| <b>O2</b> x3<br>            | <b>O17</b> x4<br>             | <b>PW</b> x2<br><br>L - 400 mm |
| <b>P17</b> x18<br><br>ø20  | <b>R4</b> x8<br>             | <b>Z</b> x1<br>               |



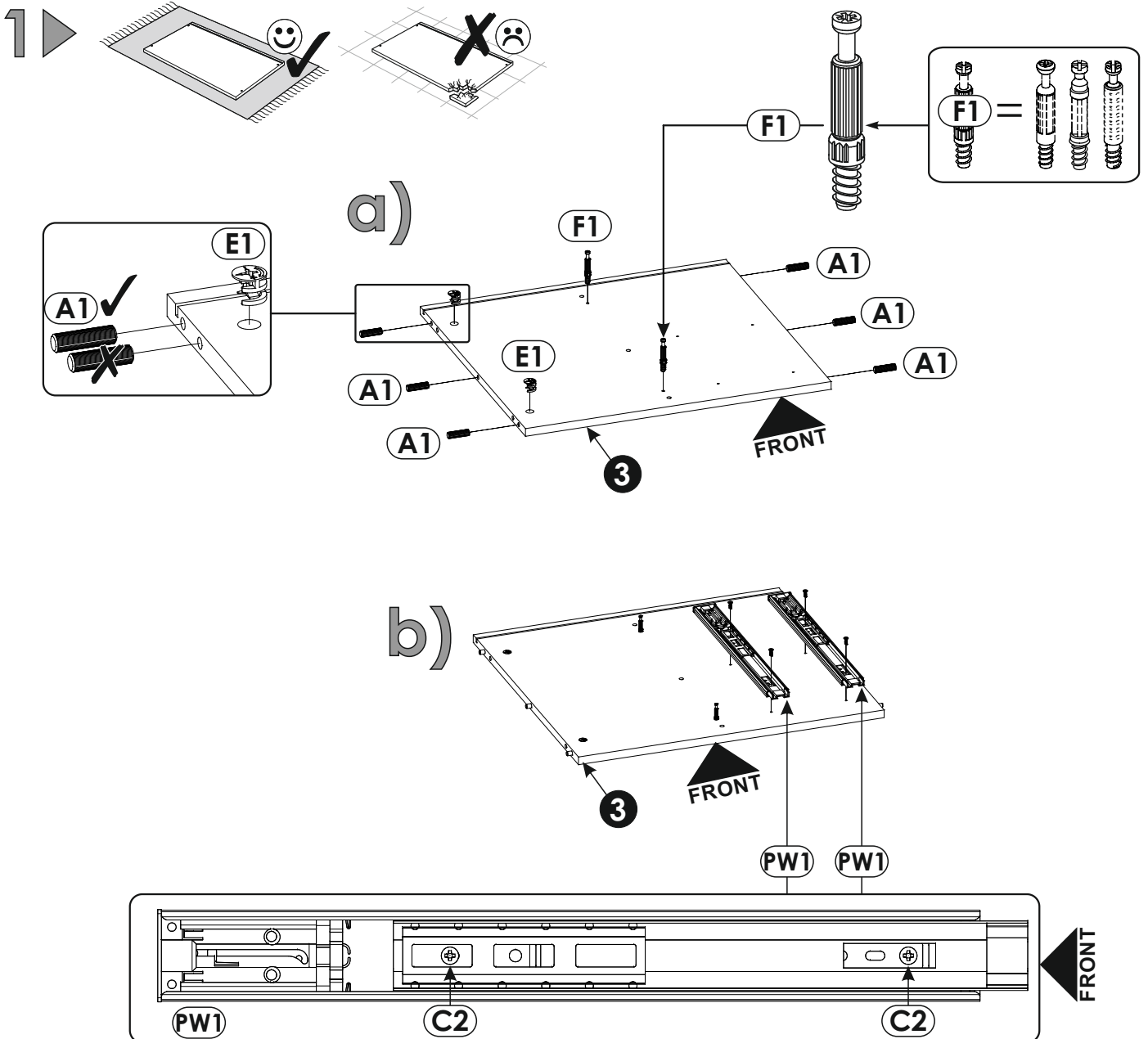
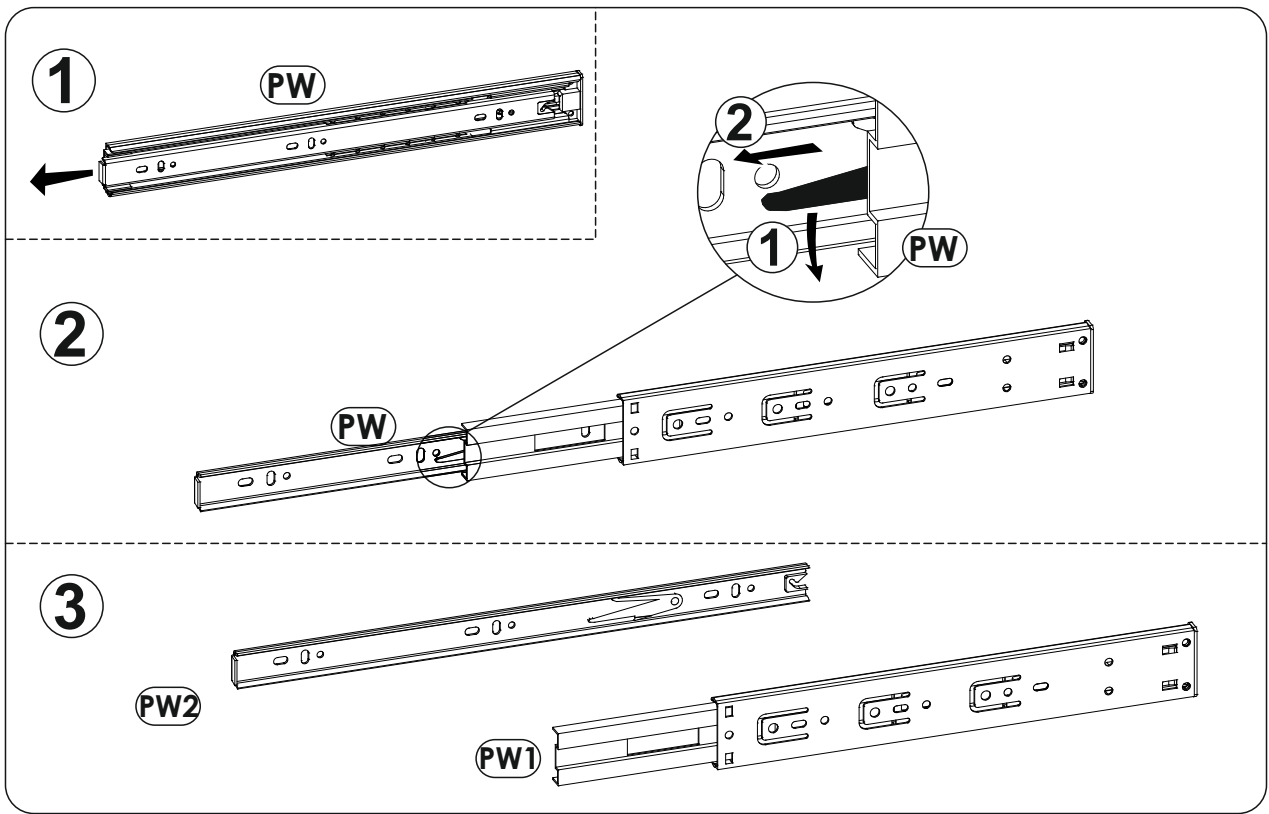
# POZB01

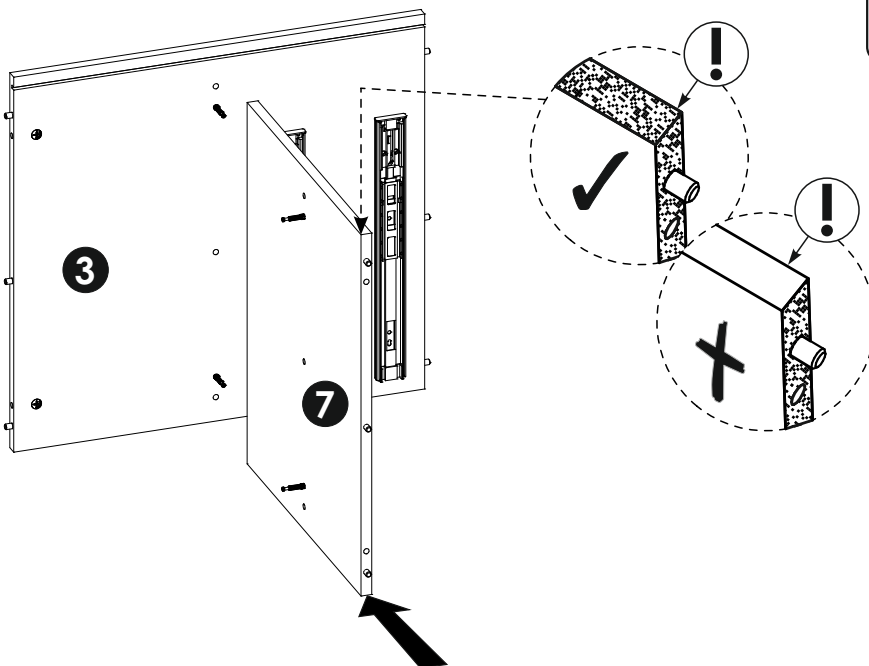
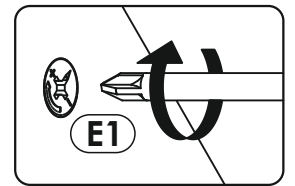
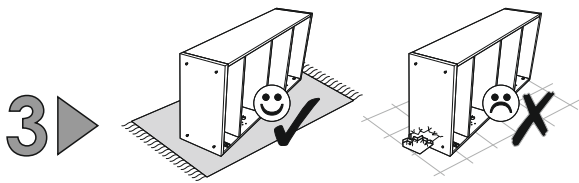
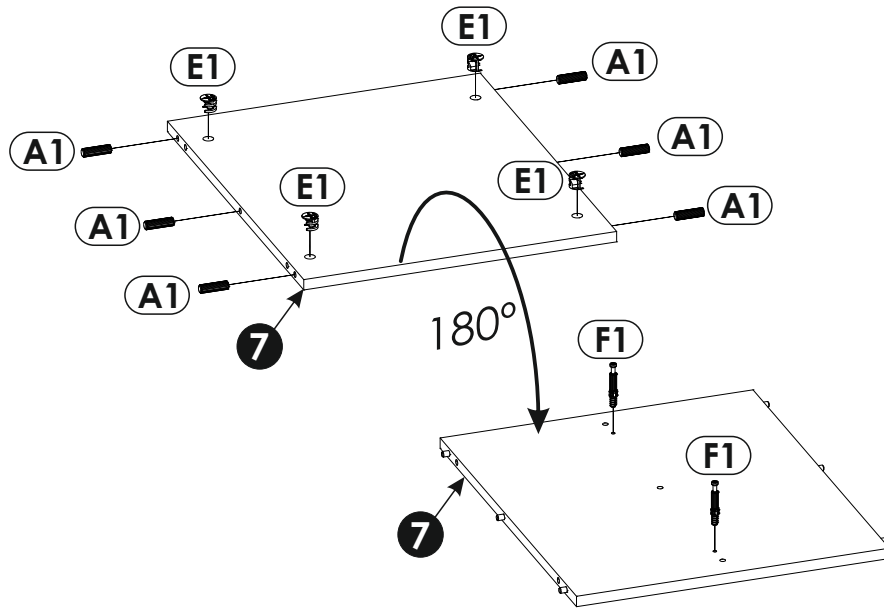
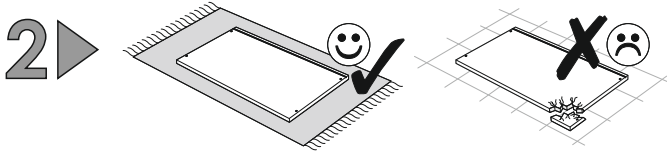


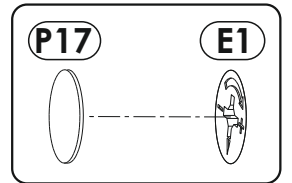
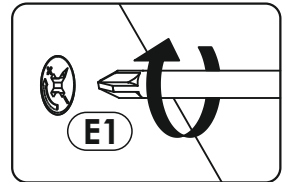
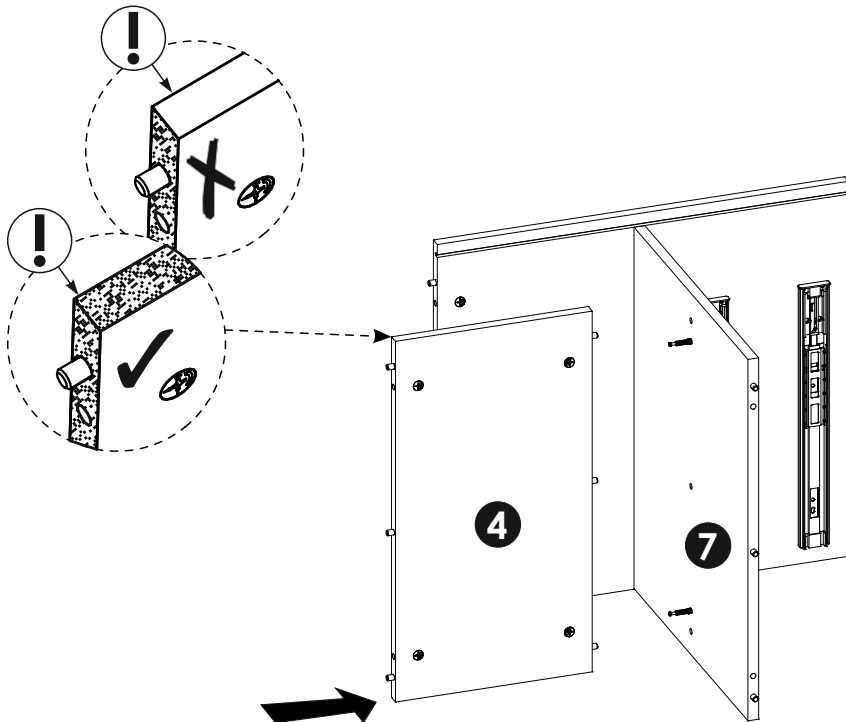
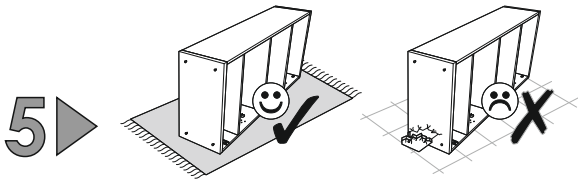
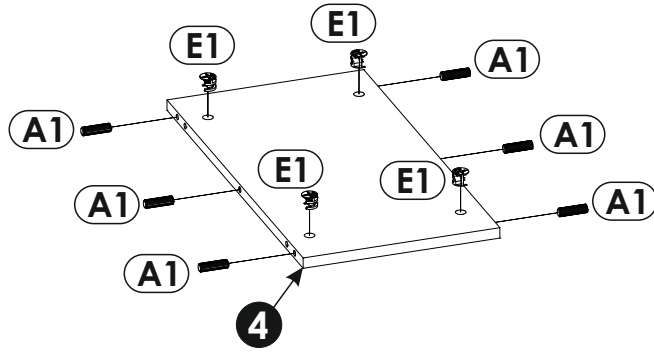
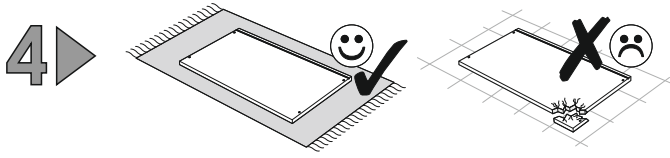
|          |      |     |    |    |     |
|----------|------|-----|----|----|-----|
| <b>1</b> | 743  | 579 | 16 | x1 | 2/2 |
| <b>2</b> | 612  | 579 | 16 | x1 | 2/2 |
| <b>3</b> | 612  | 579 | 16 | x1 | 2/2 |
| <b>4</b> | 293  | 557 | 16 | x1 | 1/2 |
| <b>5</b> | 1200 | 580 | 16 | x1 | 2/2 |

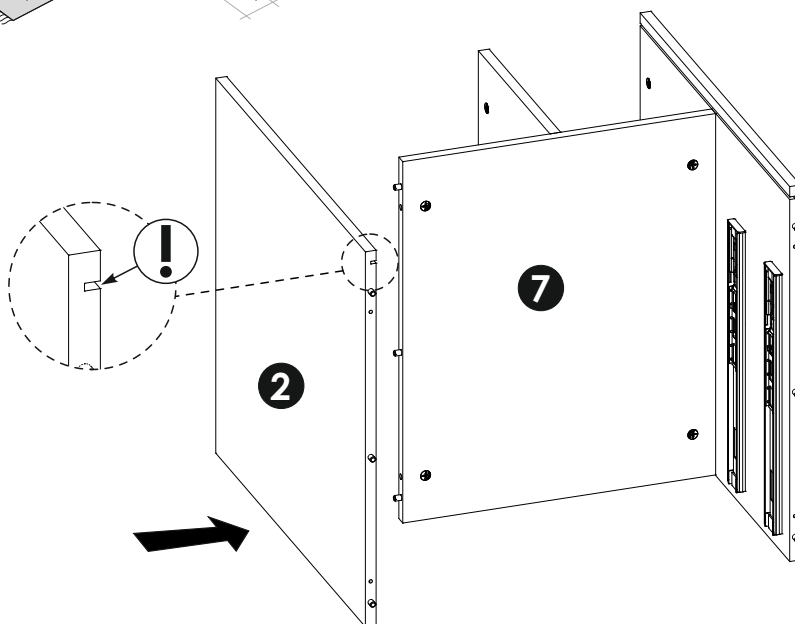
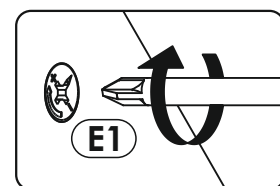
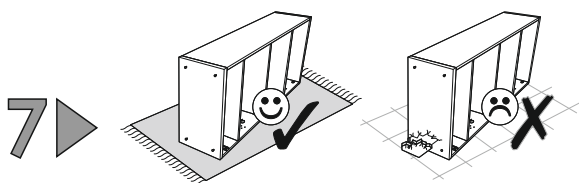
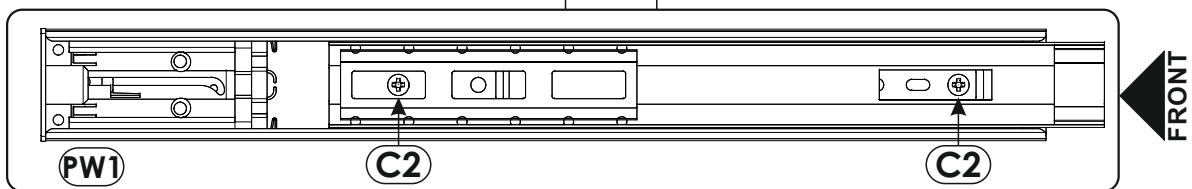
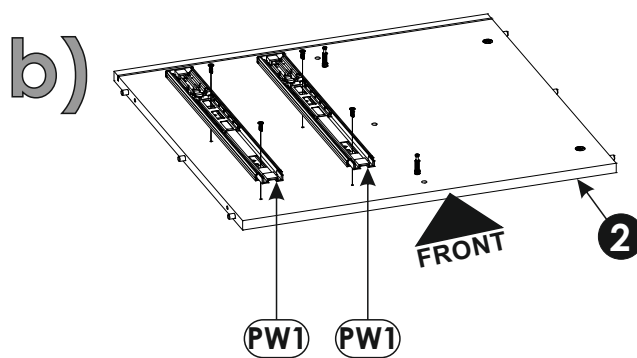
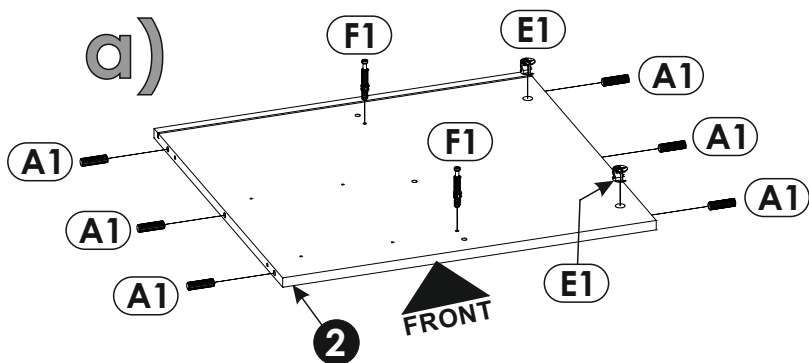
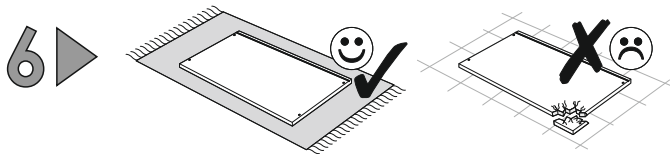
|           |     |     |    |    |     |
|-----------|-----|-----|----|----|-----|
| <b>6</b>  | 500 | 580 | 16 | x1 | 1/2 |
| <b>7</b>  | 466 | 558 | 16 | x1 | 1/2 |
| <b>8</b>  | 684 | 250 | 16 | x1 | 1/2 |
| <b>9</b>  | 400 | 120 | 16 | x2 | 1/2 |
| <b>10</b> | 408 | 104 | 16 | x2 | 1/2 |

|           |     |     |    |    |     |
|-----------|-----|-----|----|----|-----|
| <b>11</b> | 400 | 120 | 16 | x2 | 1/2 |
| <b>12</b> | 460 | 147 | 16 | x1 | 1/2 |
| <b>13</b> | 460 | 147 | 16 | x1 | 1/2 |
| <b>14</b> | 422 | 405 | 3  | x2 | 1/2 |
| <b>15</b> | 623 | 480 | 3  | x1 | 1/2 |



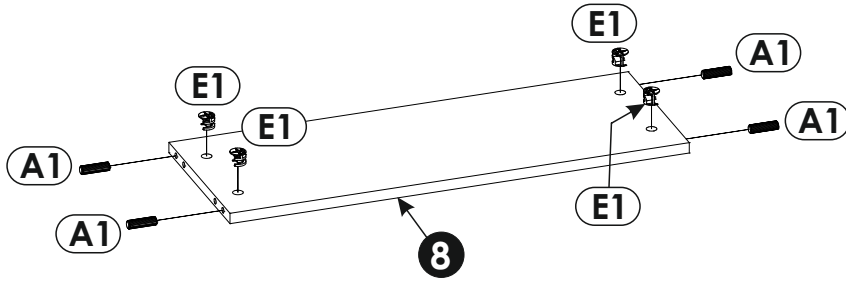
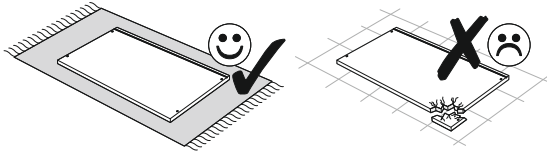




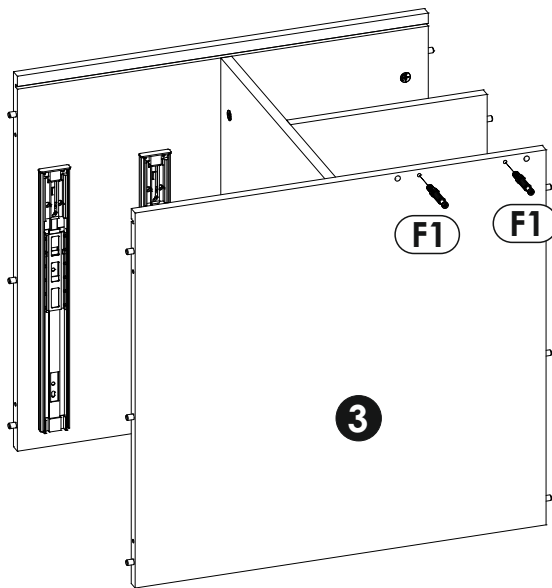
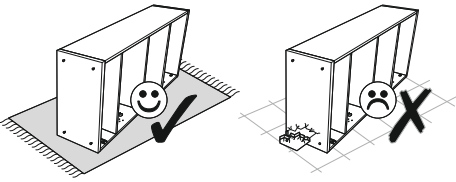


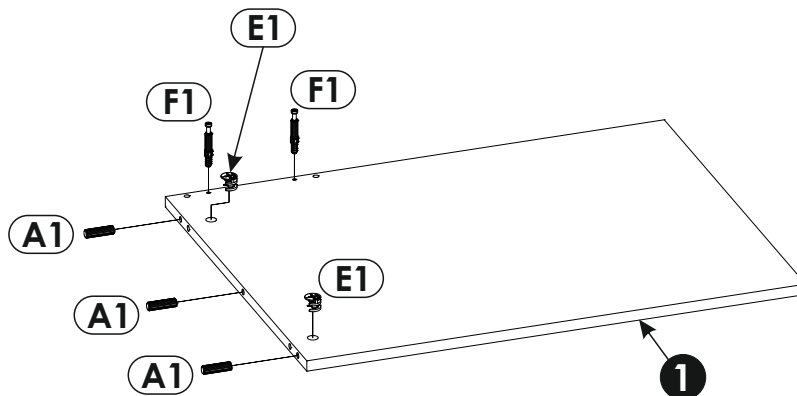
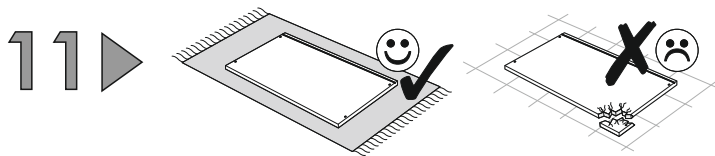
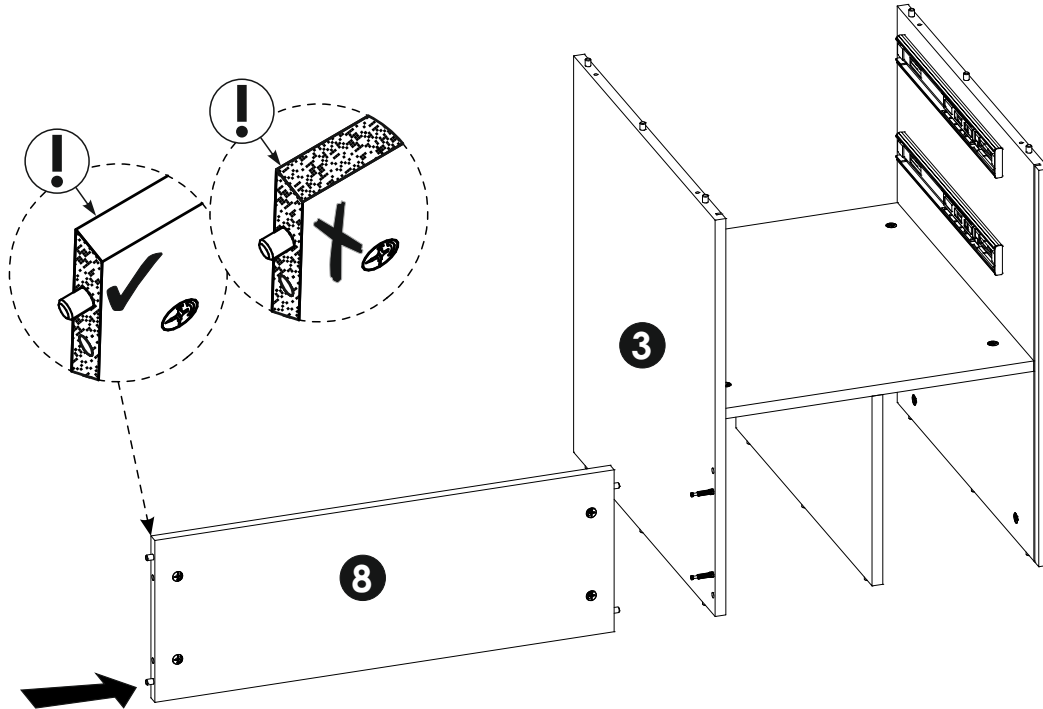
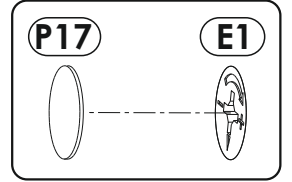
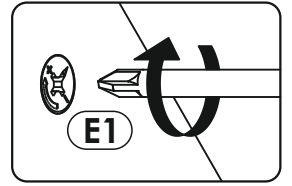
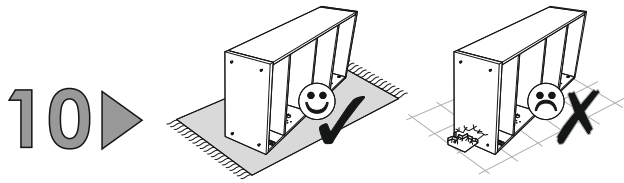


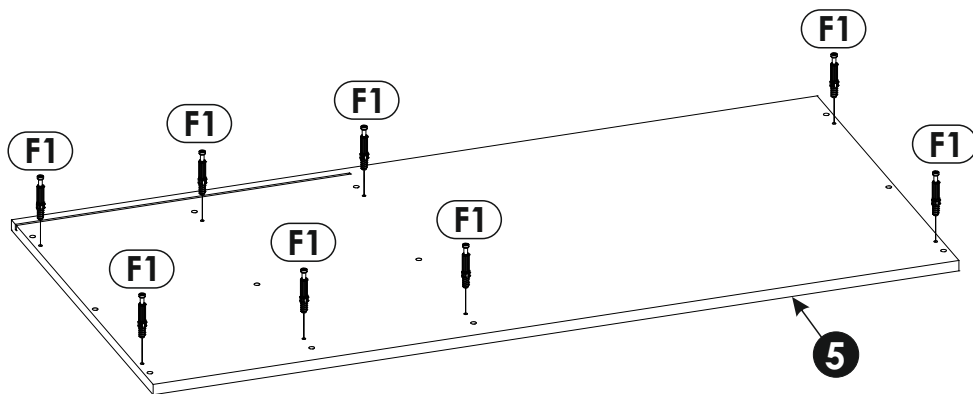
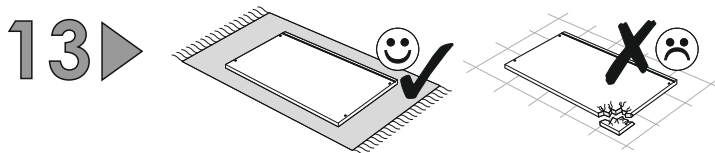
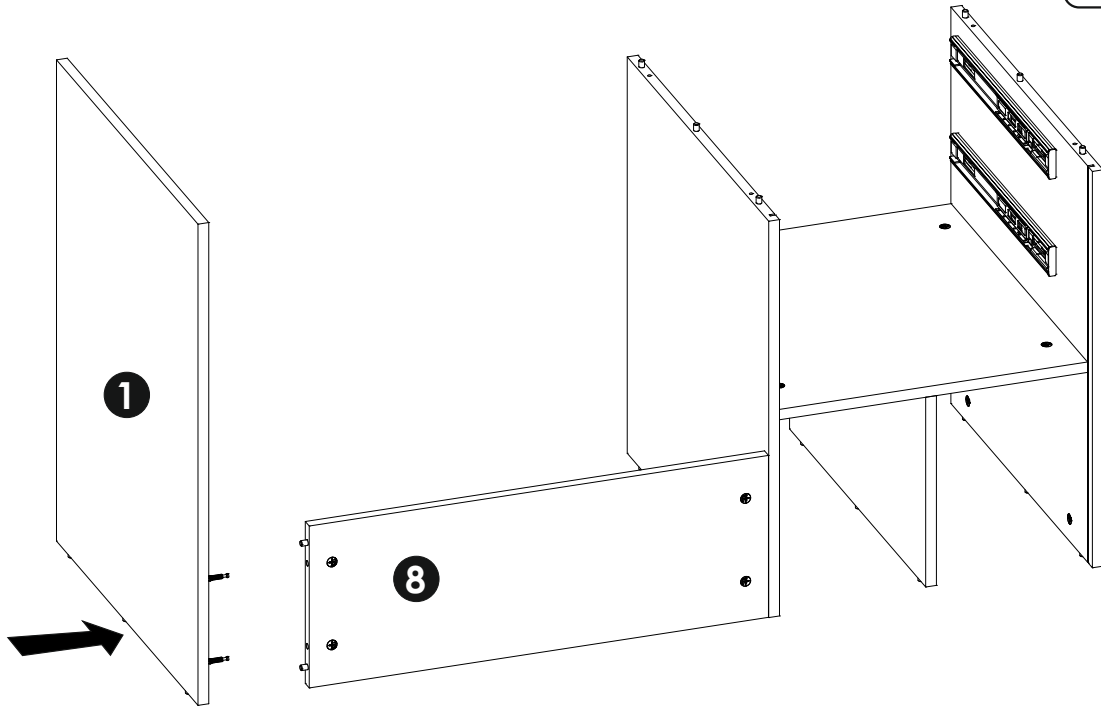
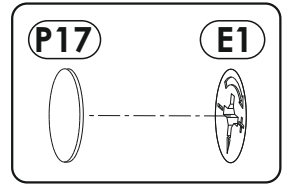
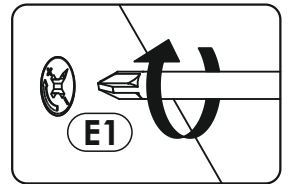
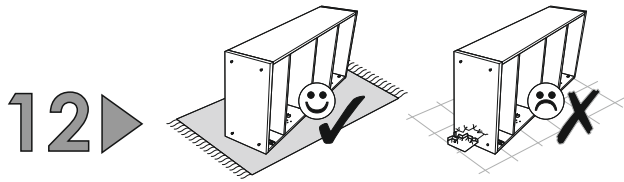
8 ▶

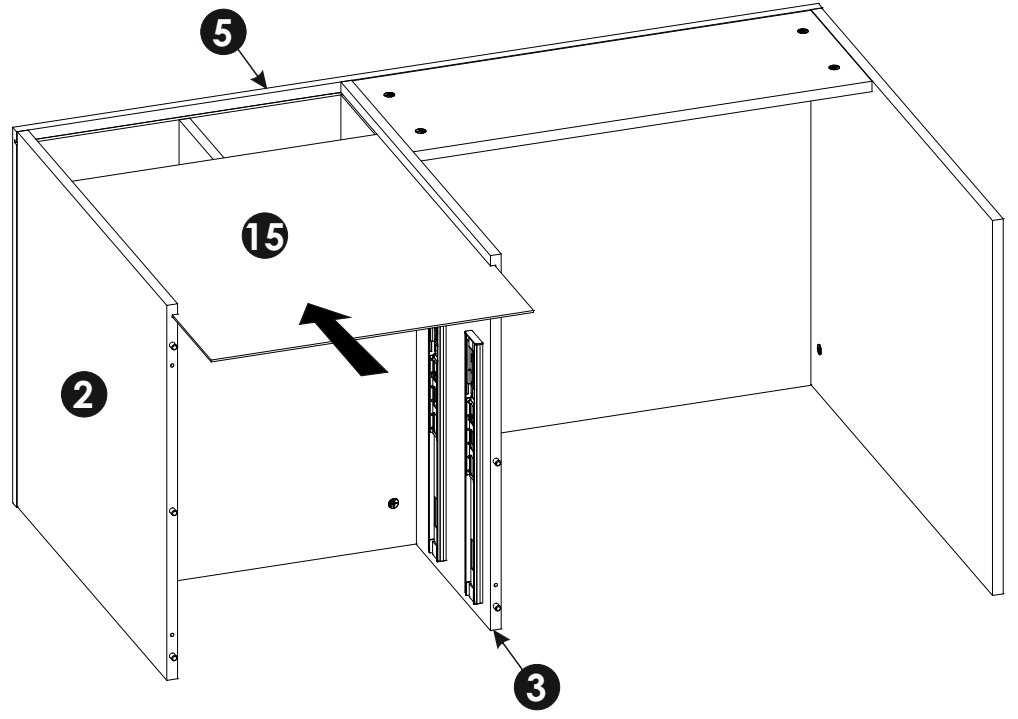
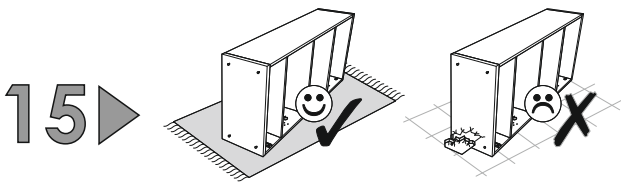
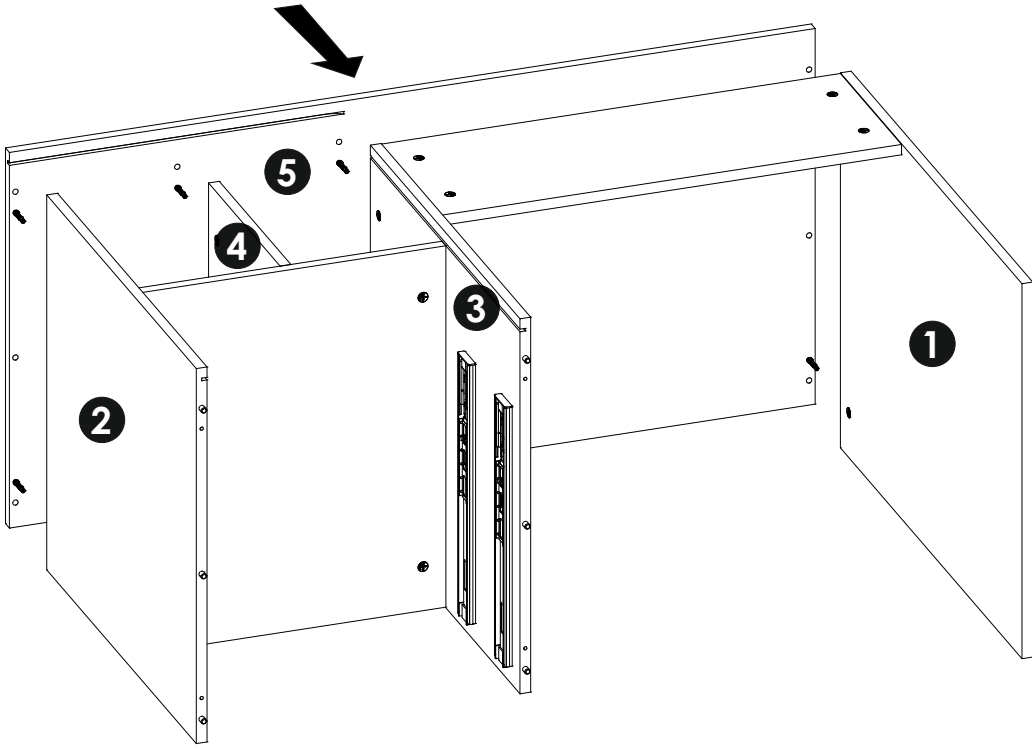
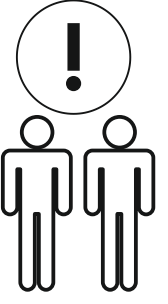
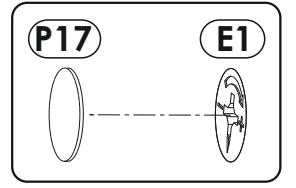
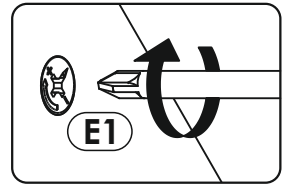
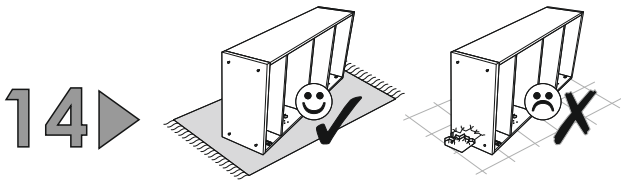


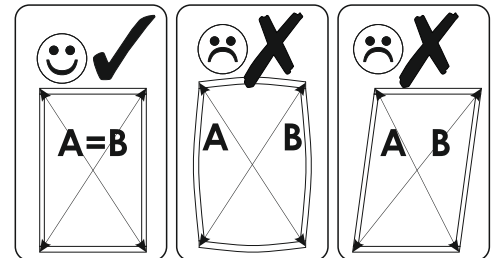
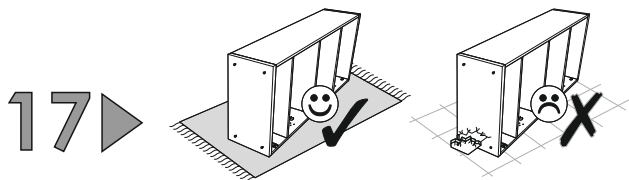
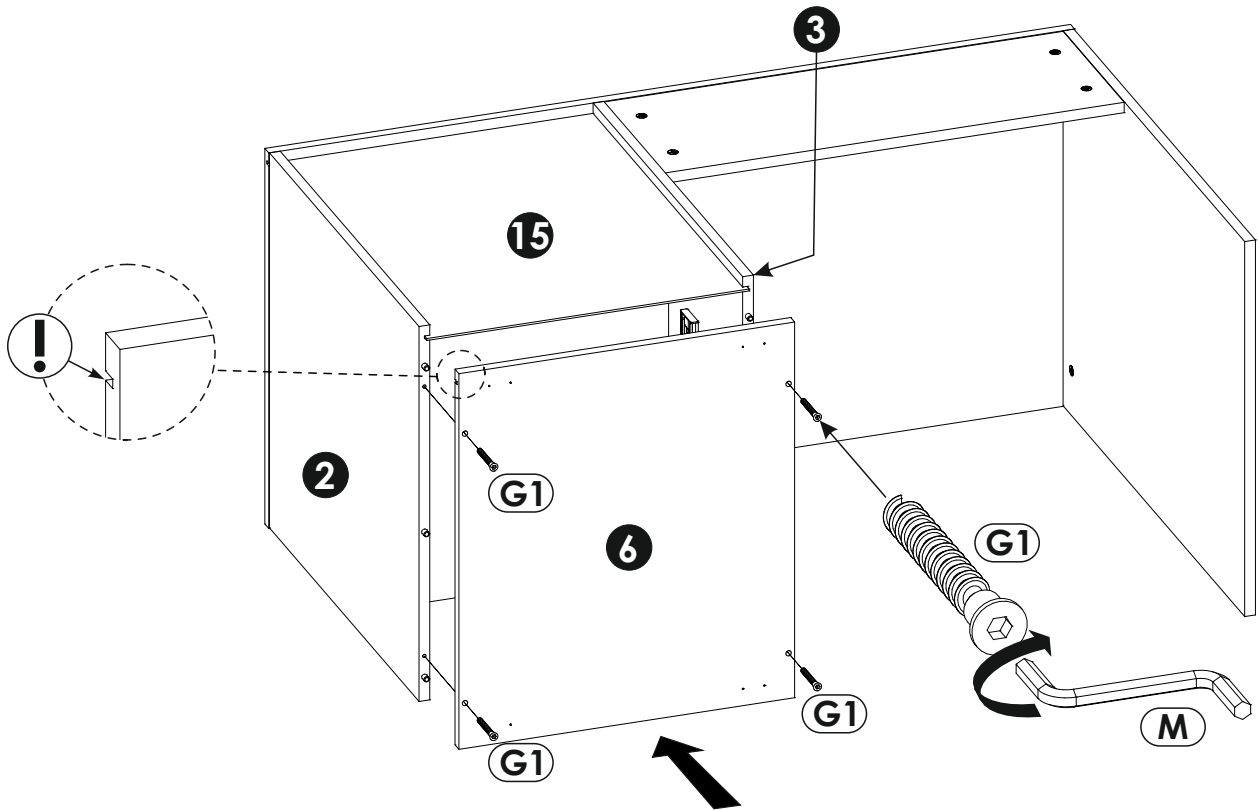
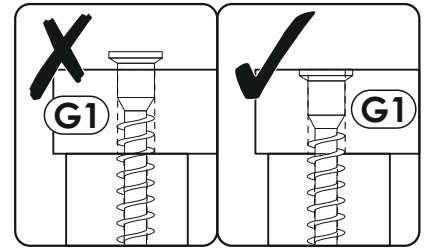
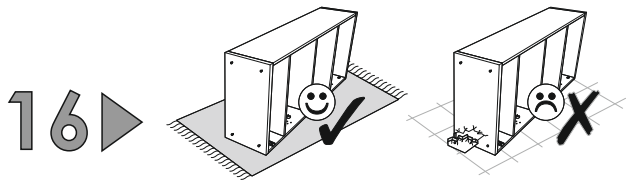
9 ▶



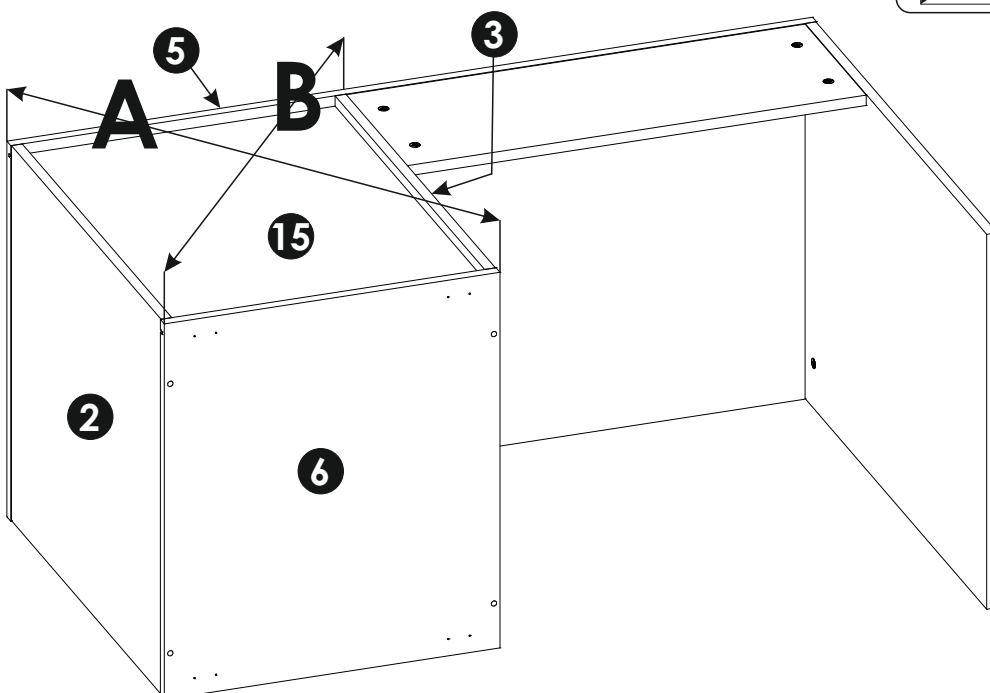




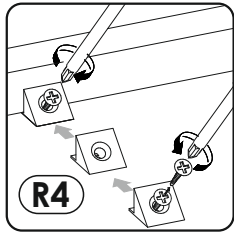
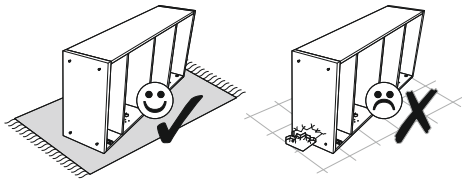




**A=B**

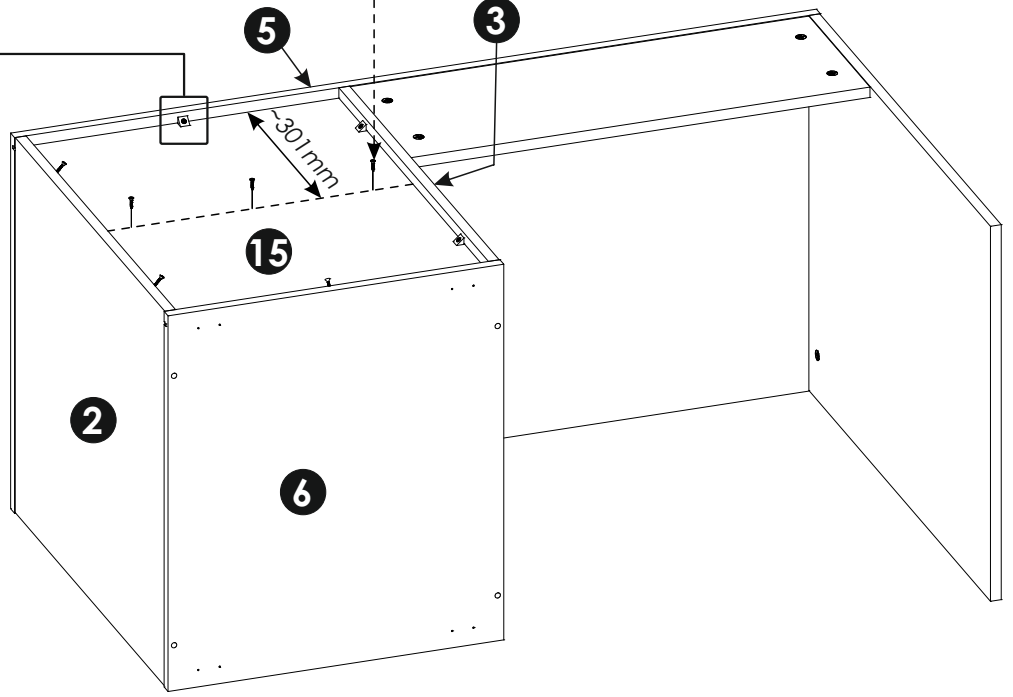


18 ▶

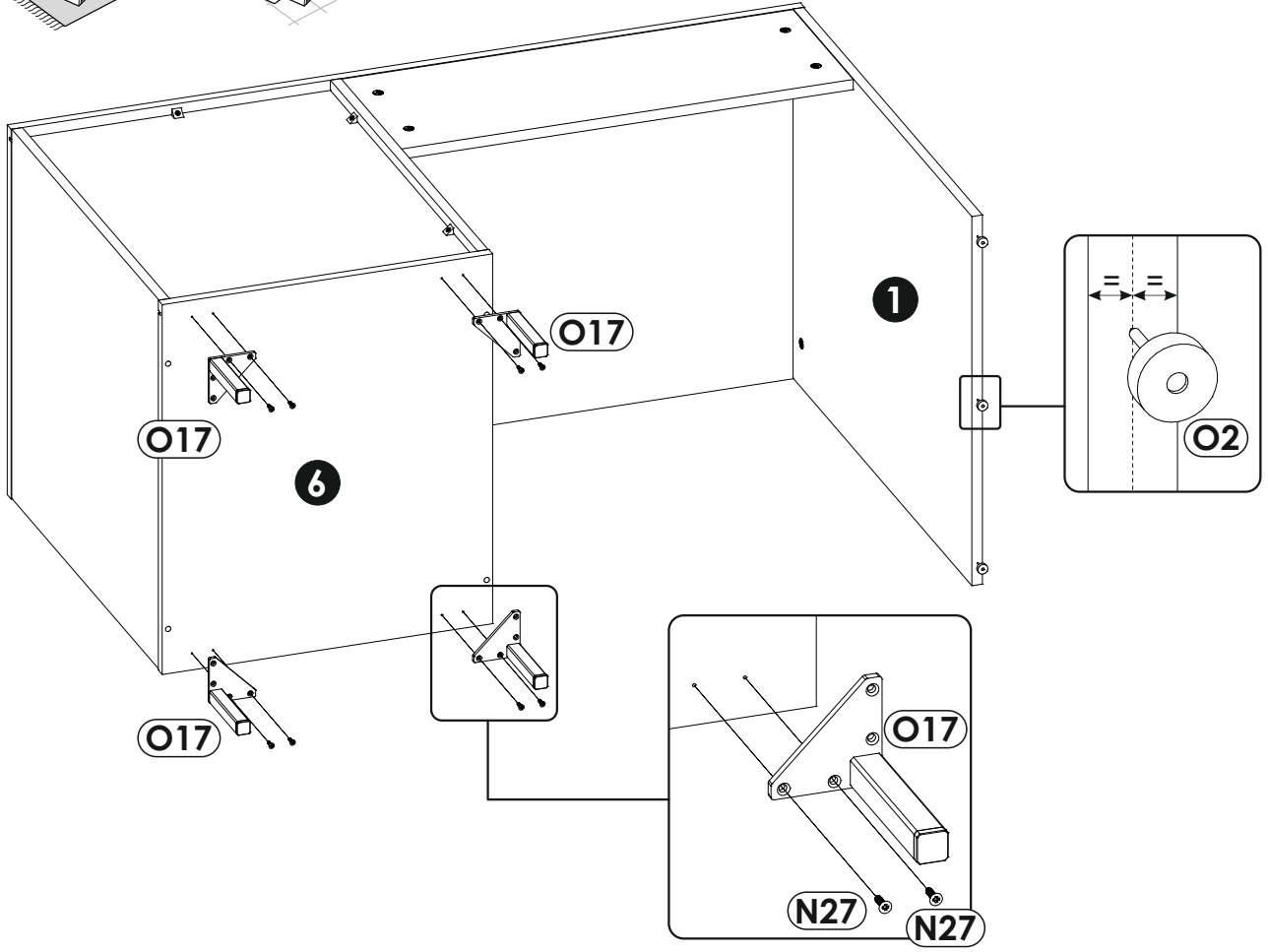
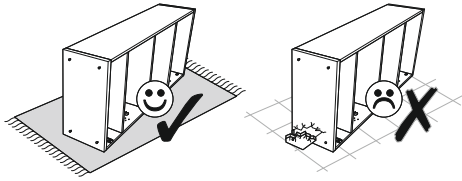


x6

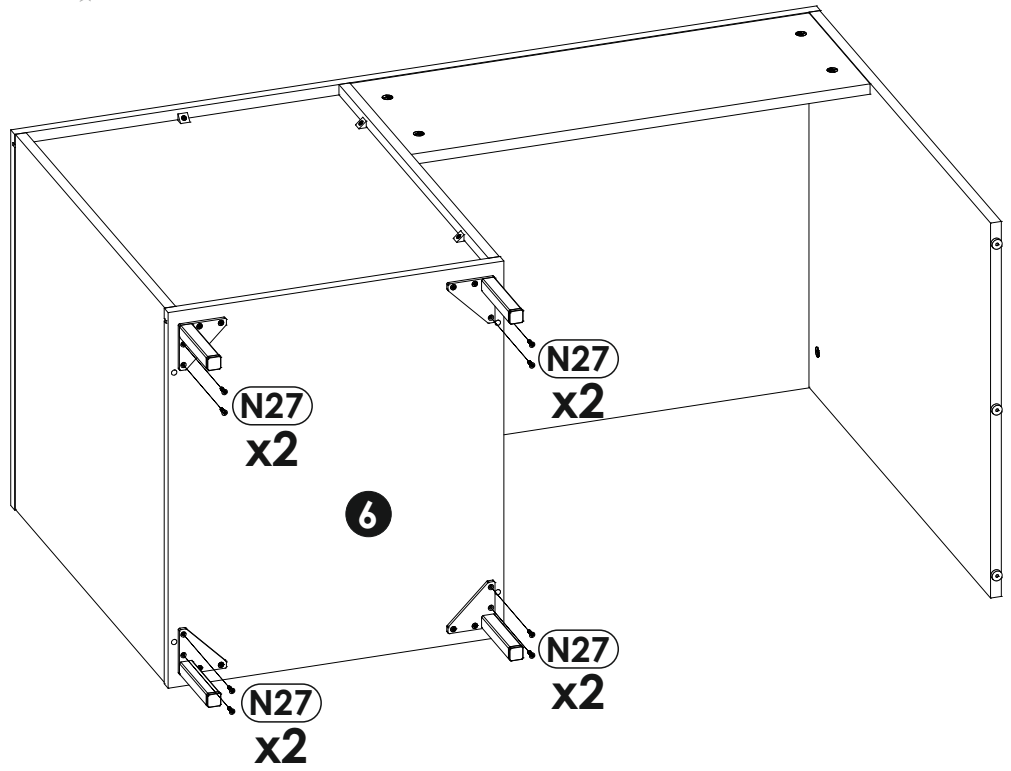
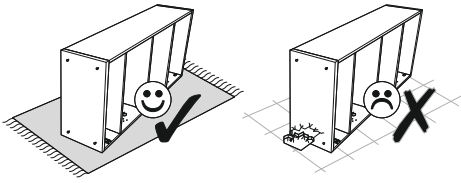
N1 x3



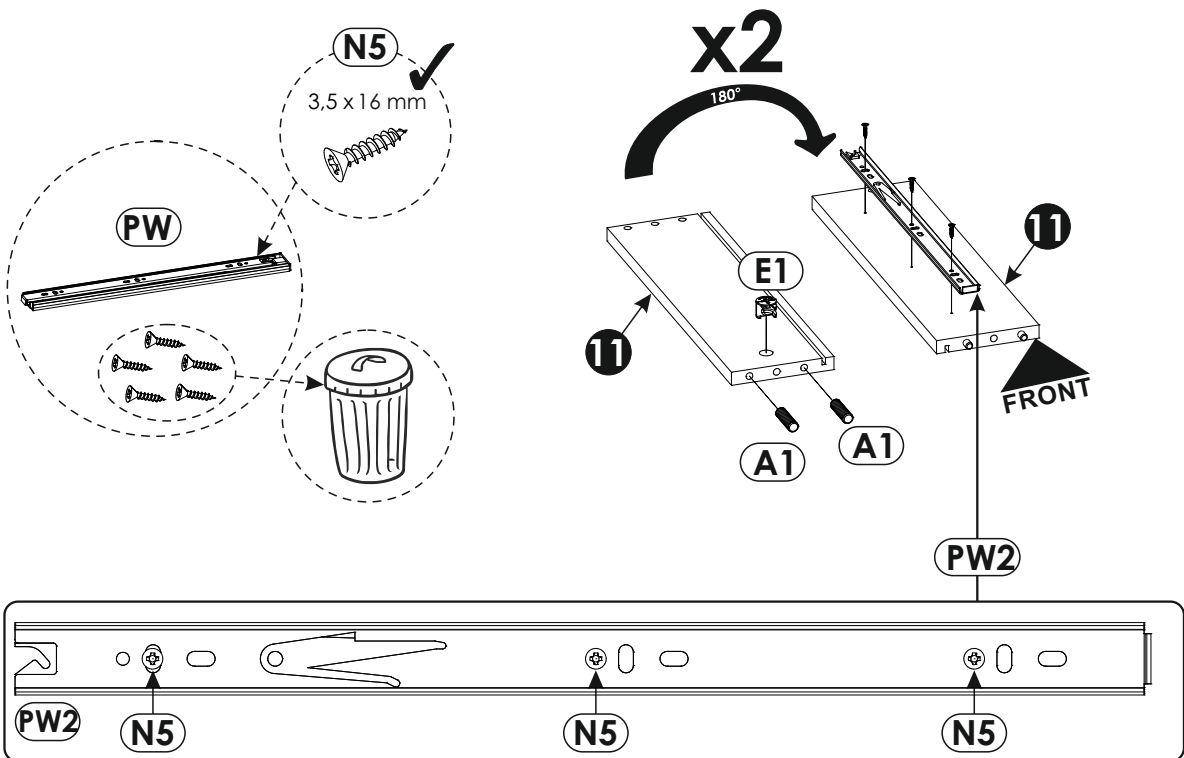
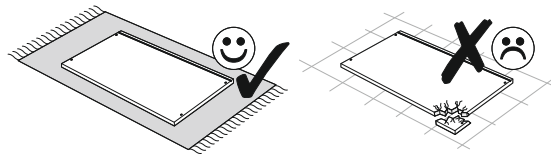
19 ▶



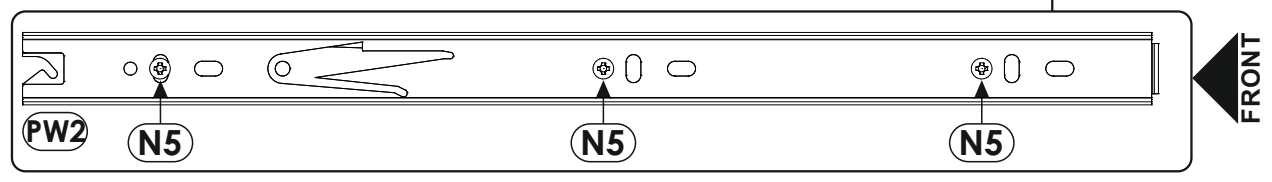
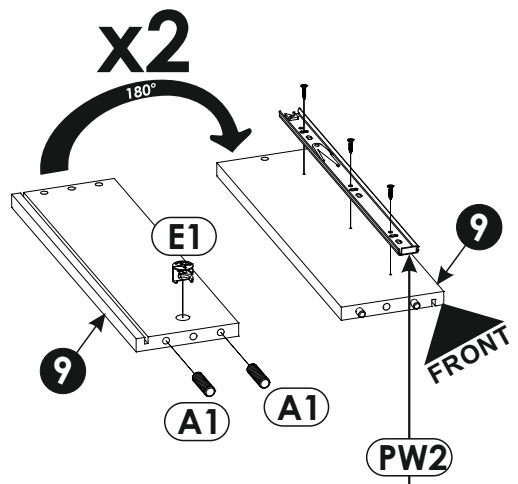
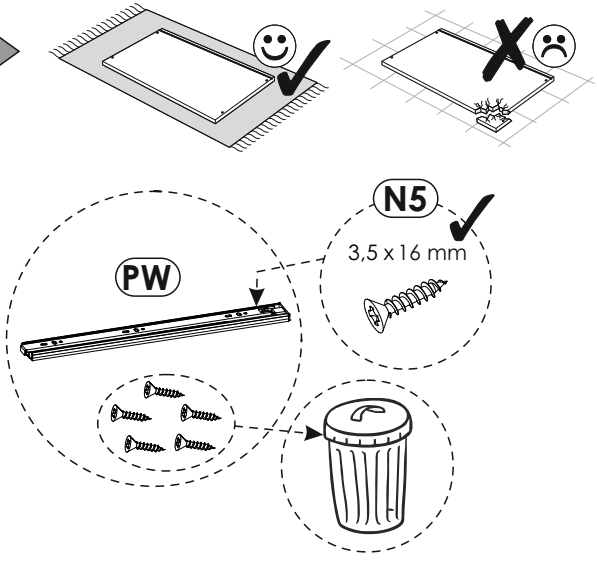
20 ▶



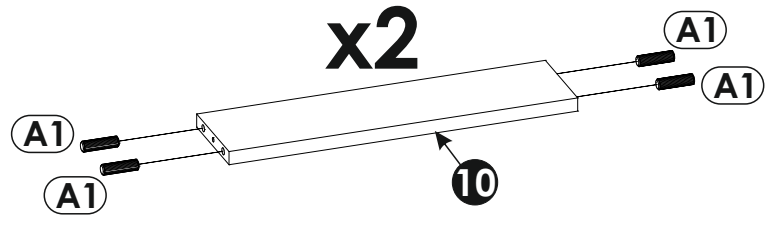
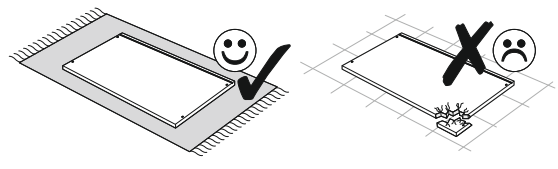
21 ▶



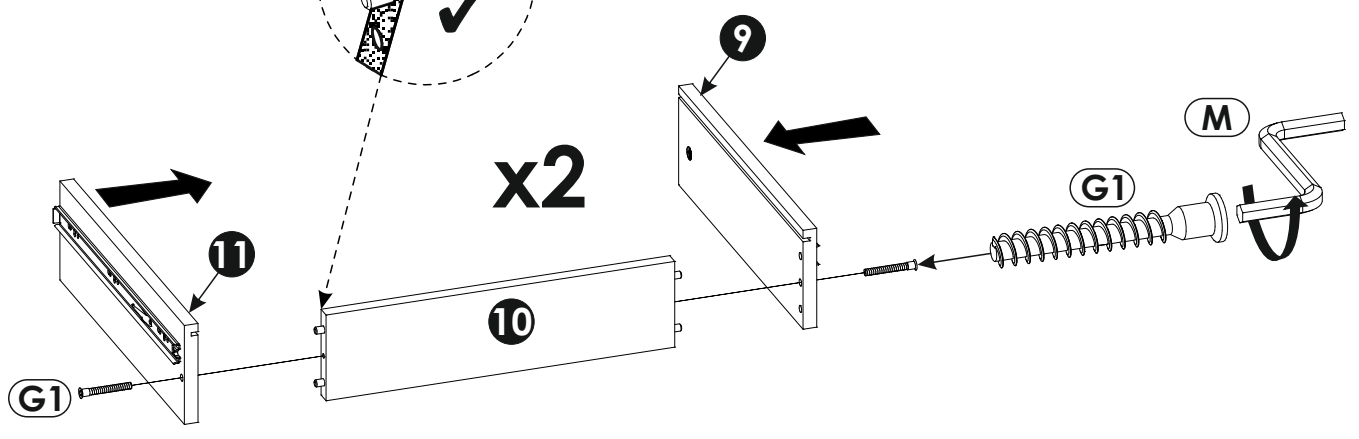
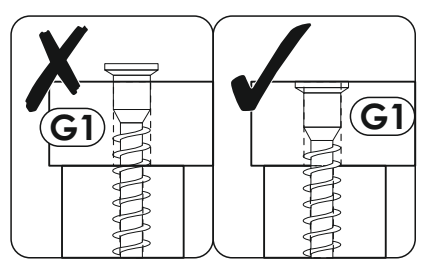
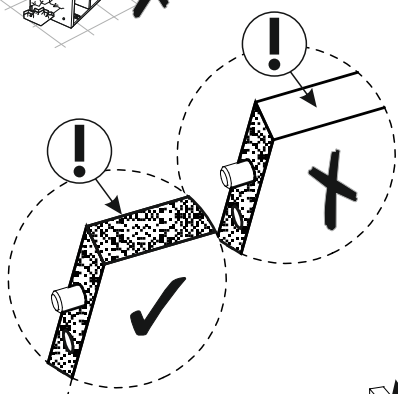
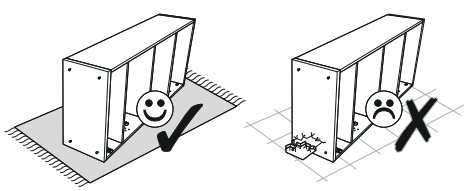
22 ▶



23 ▶

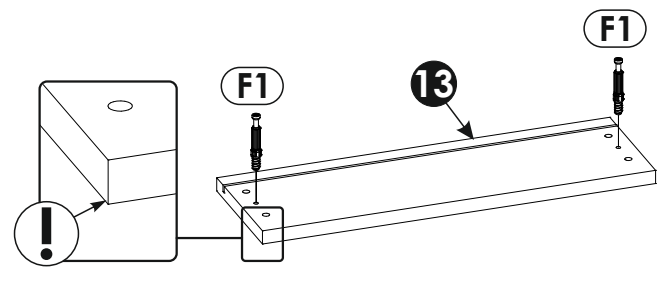
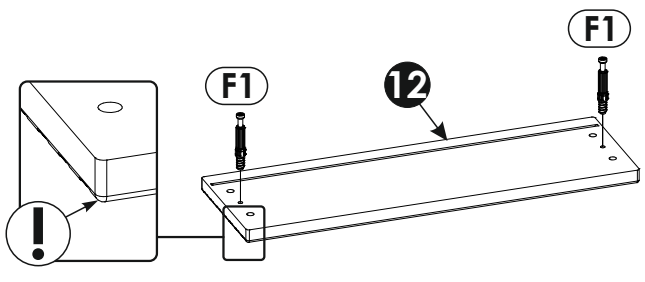
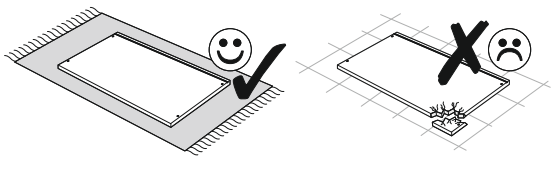


24 ▶

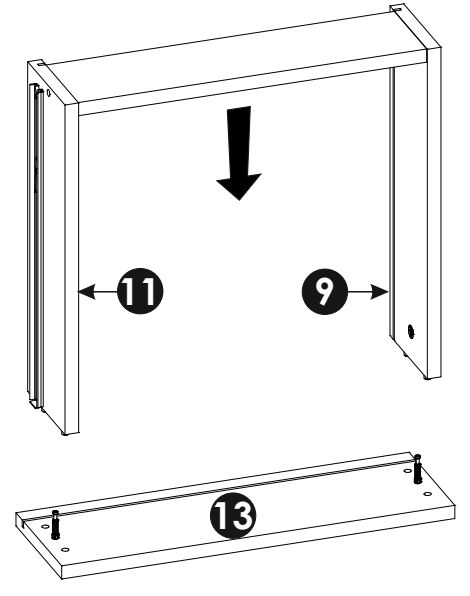
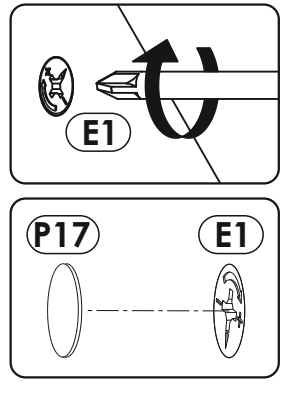
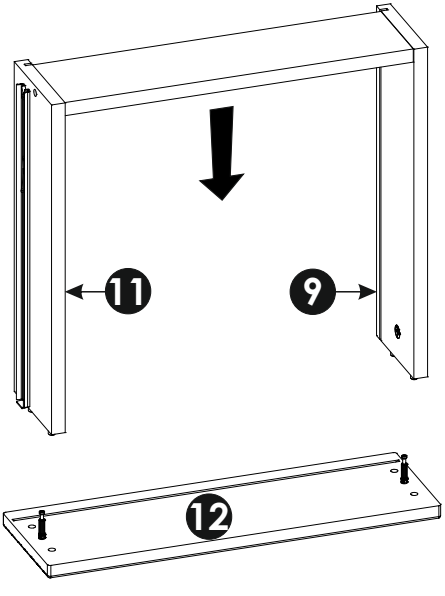
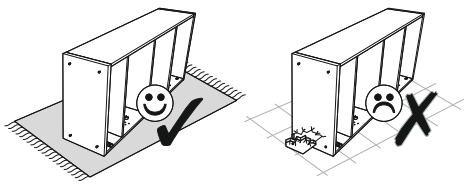




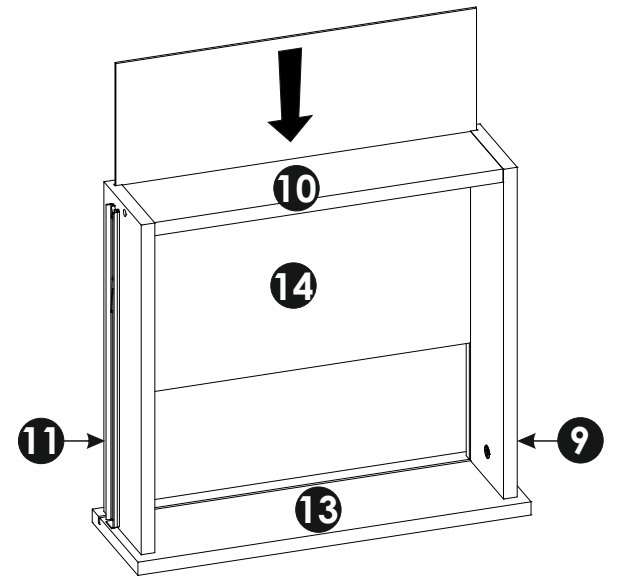
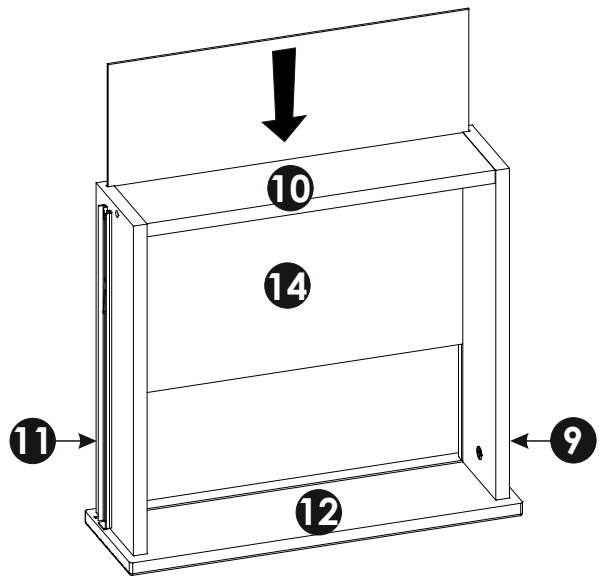
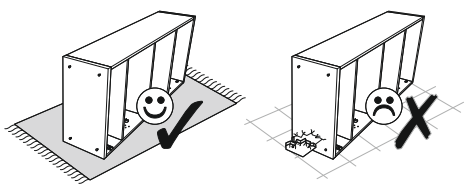
25 ▶



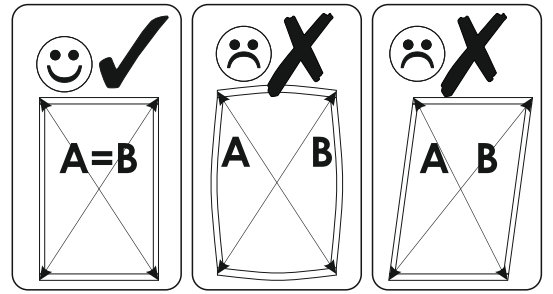
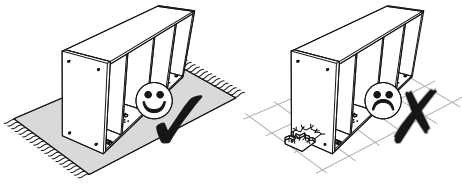
26 ▶



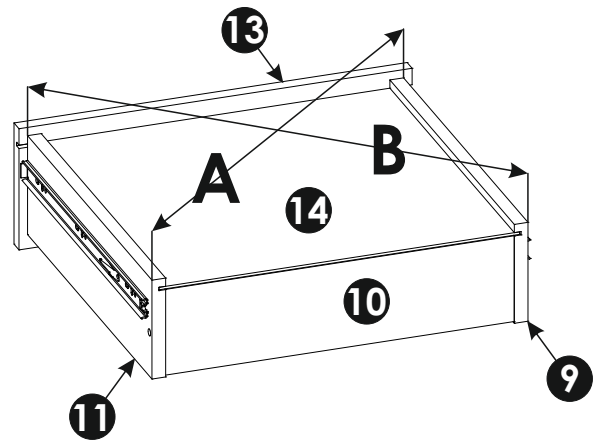
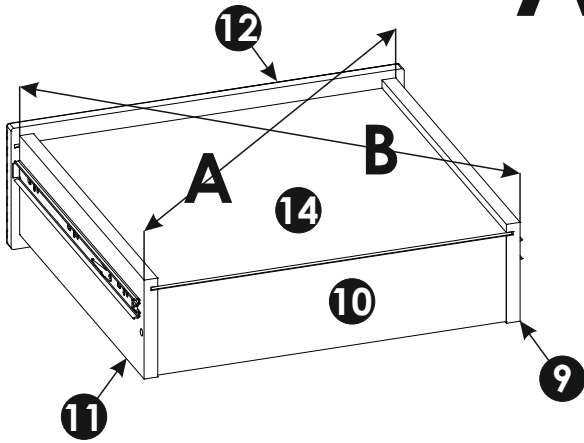
27 ▶



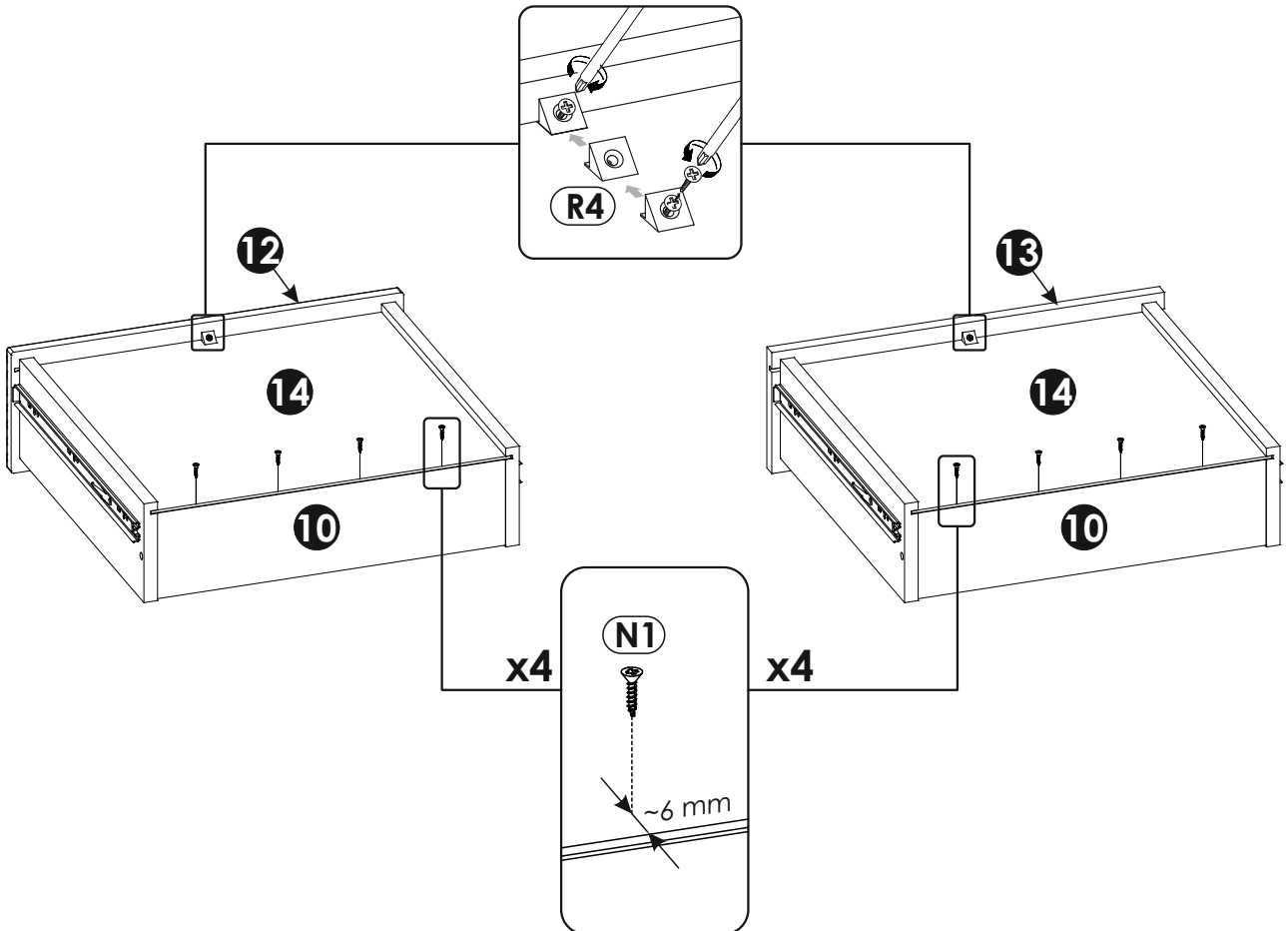
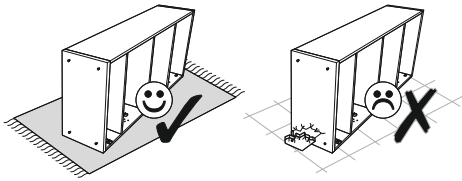
28 ▶



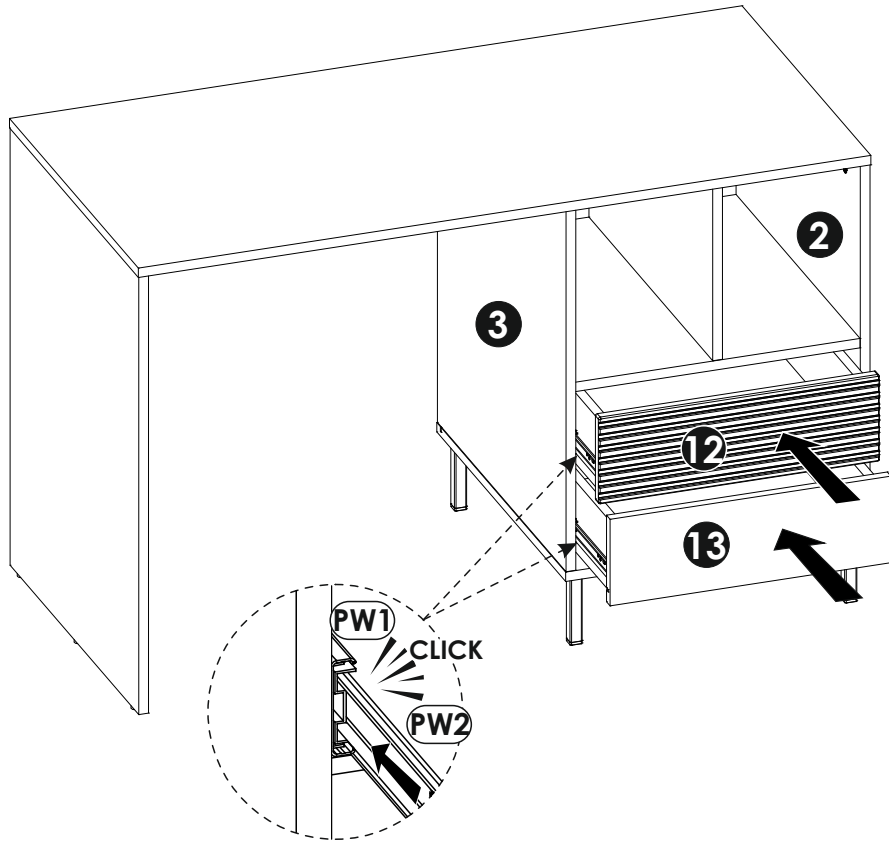
**A=B**



29 ▶



30 ▶



31 ▶

