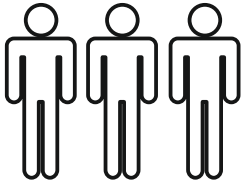


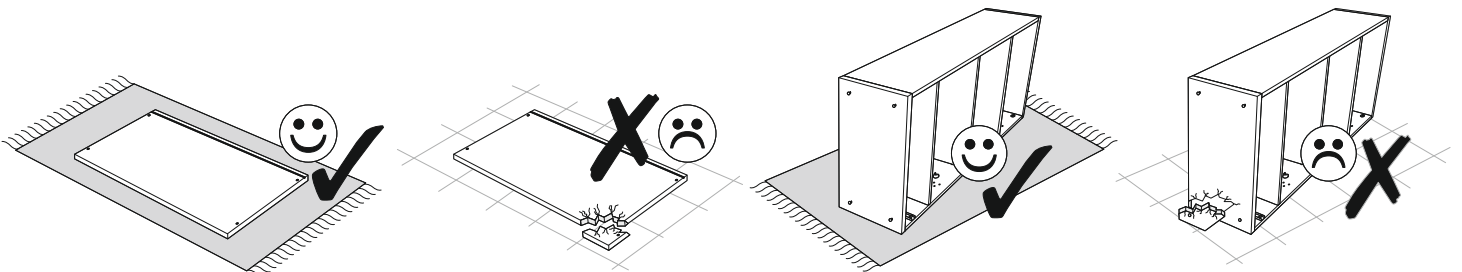
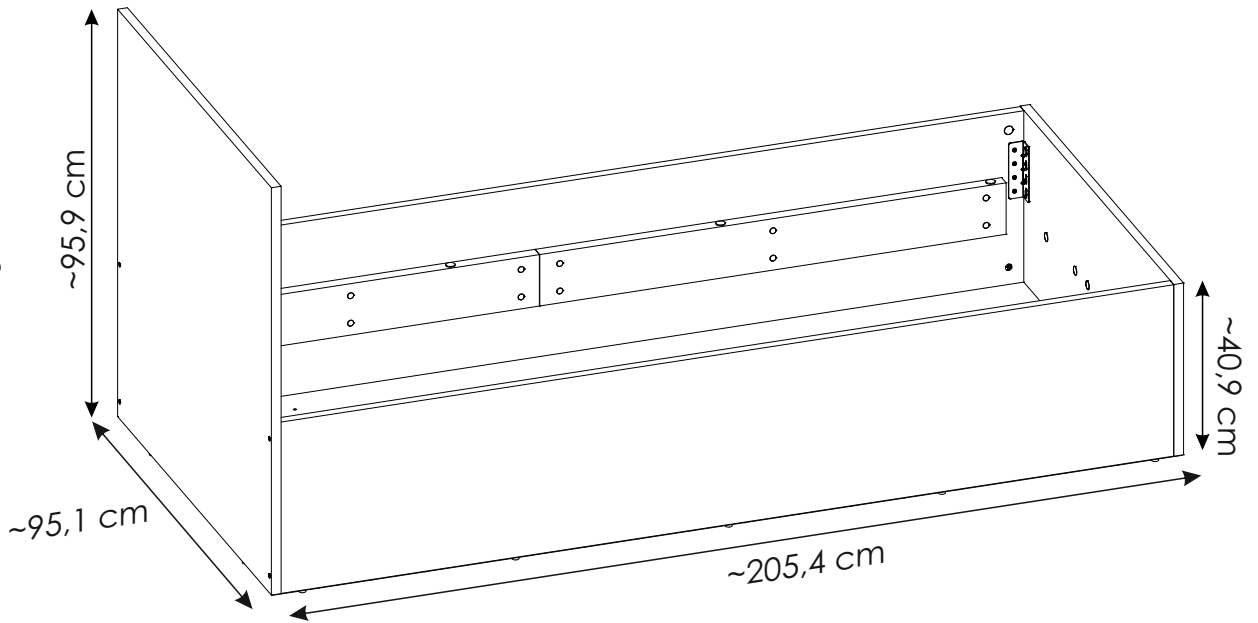
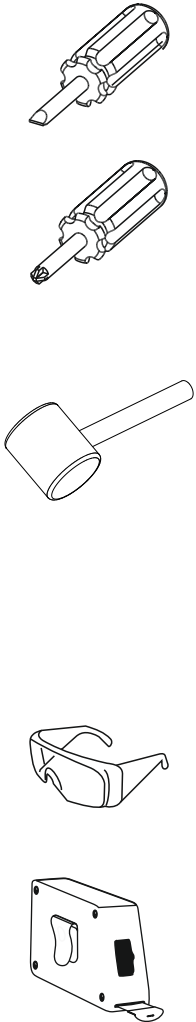
POZZ01

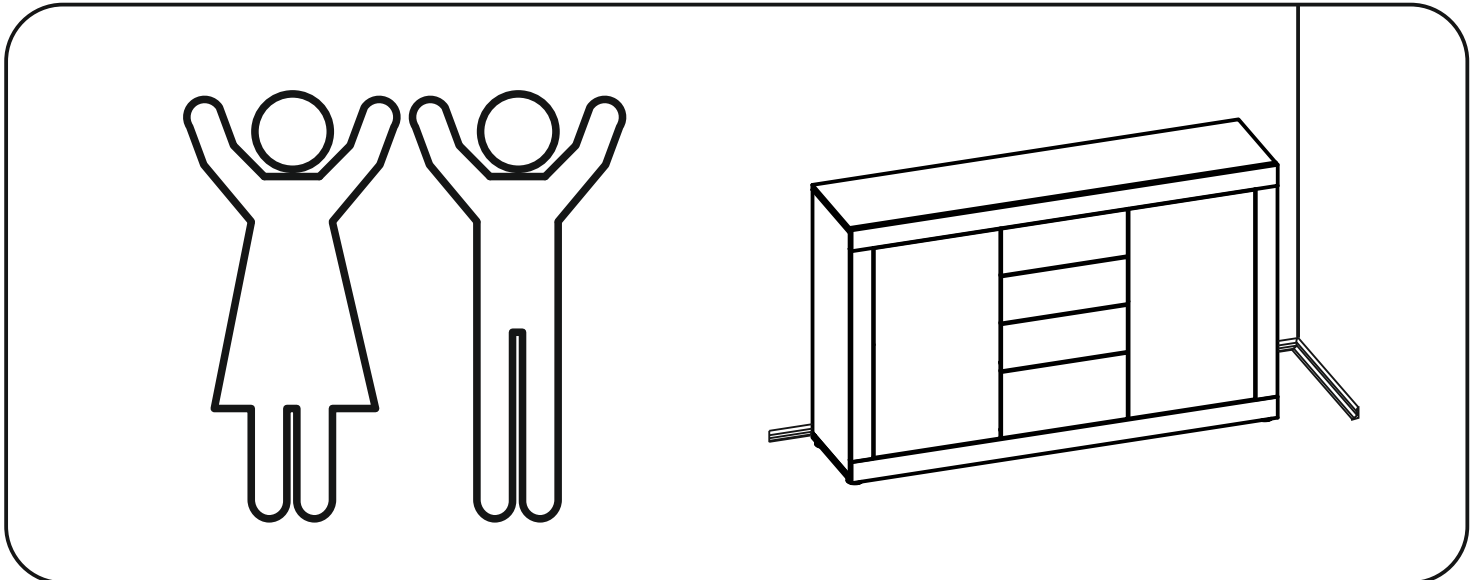
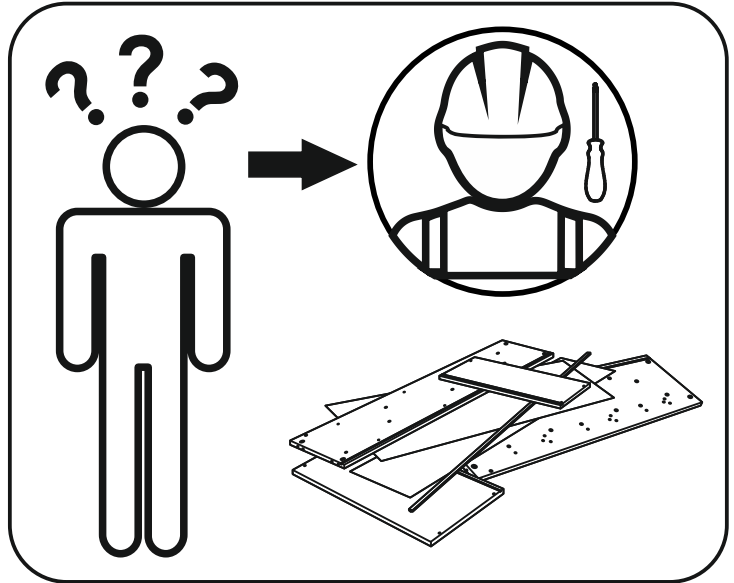
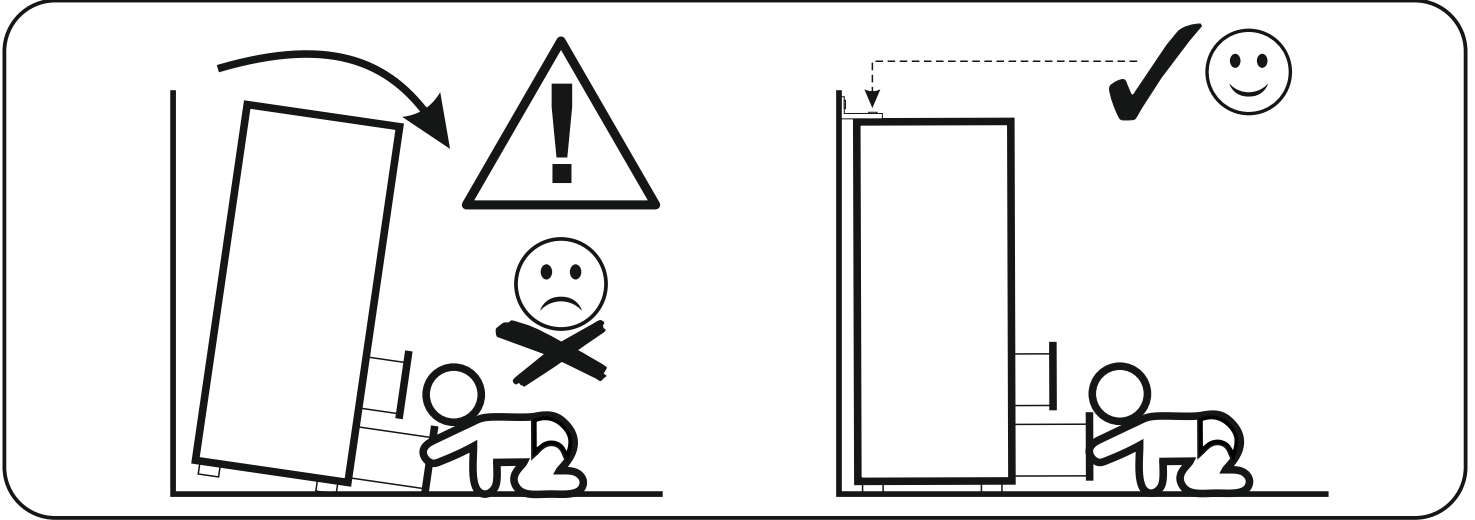


120 MIN



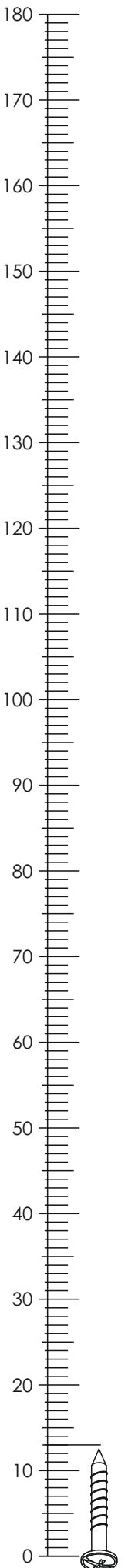
OPTION



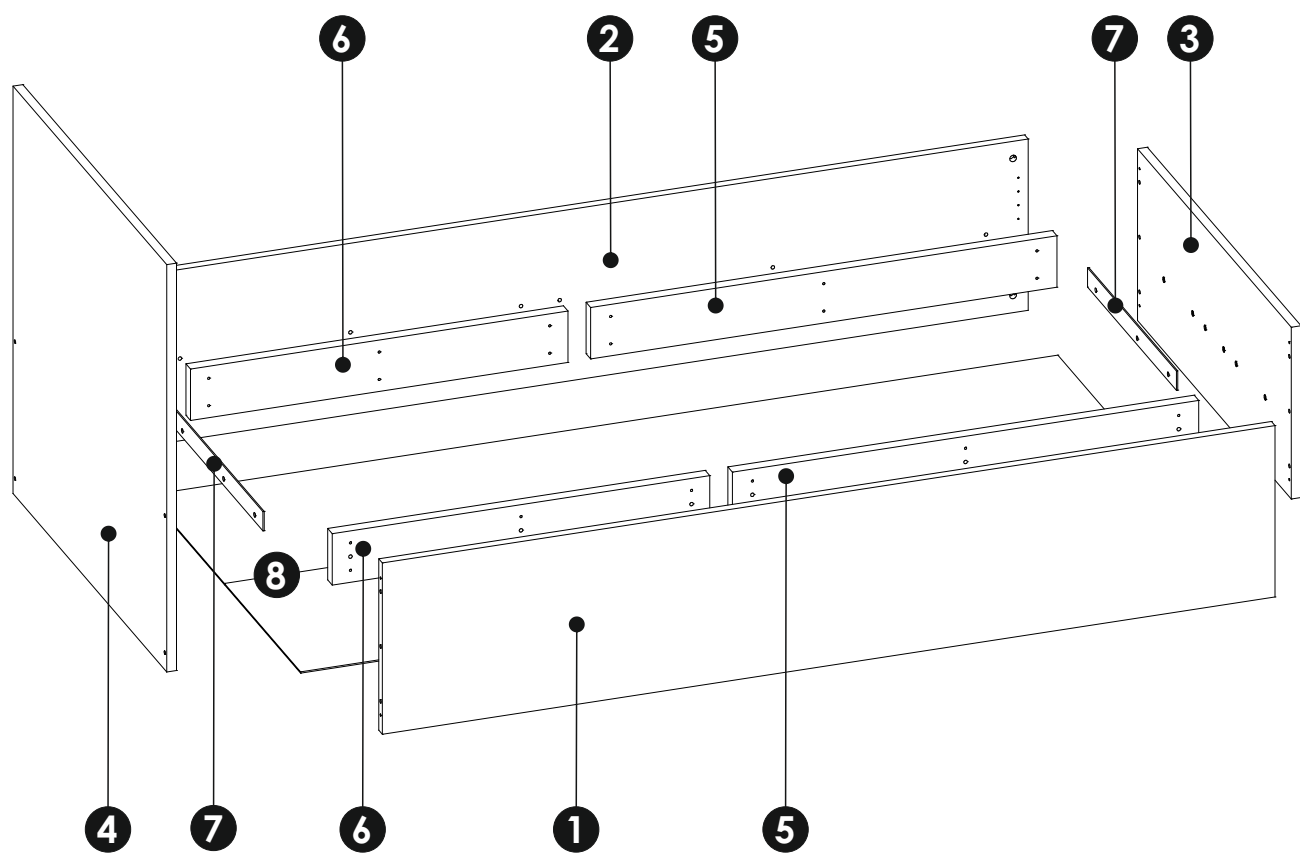
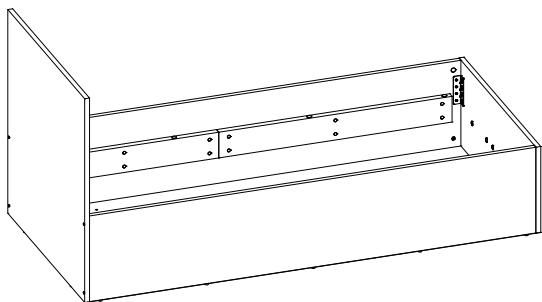


POZZ01

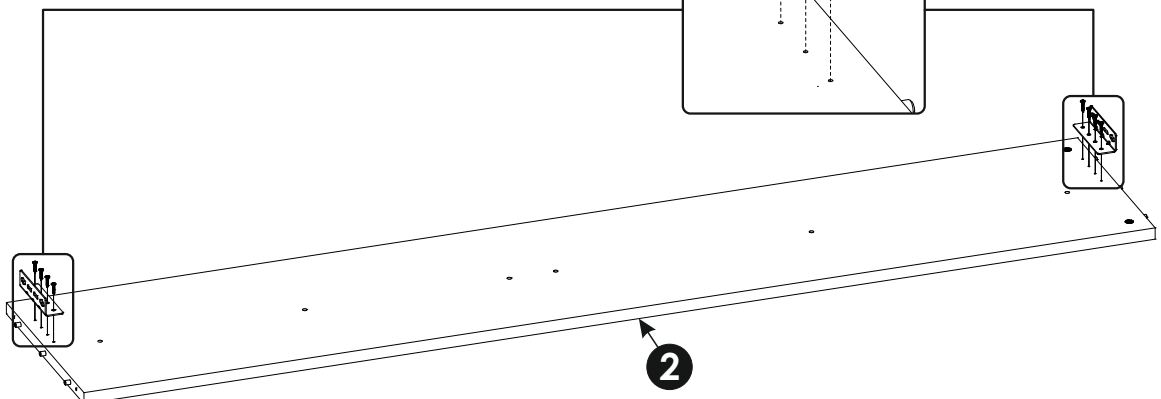
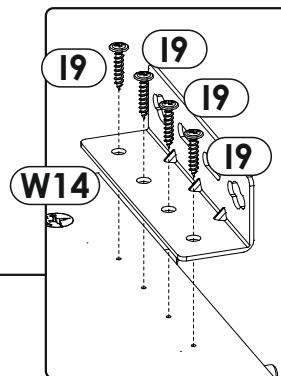
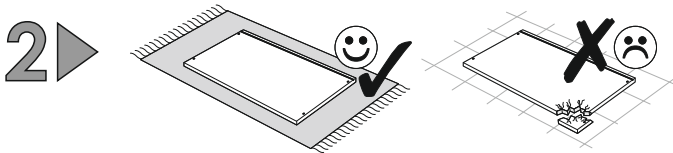
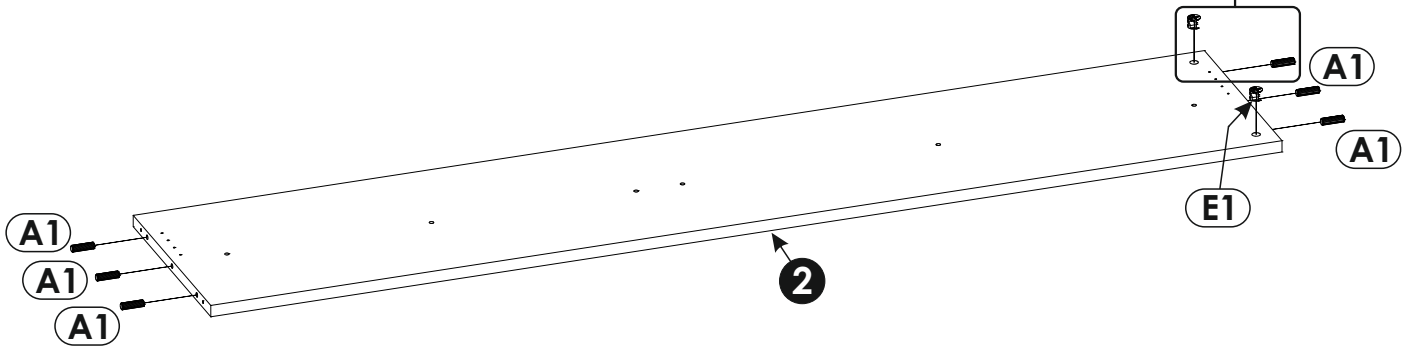
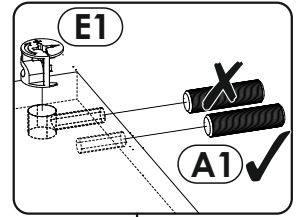
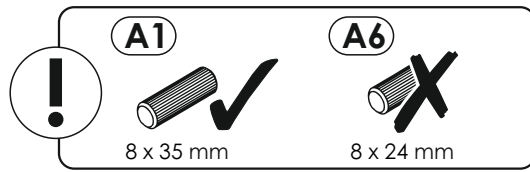
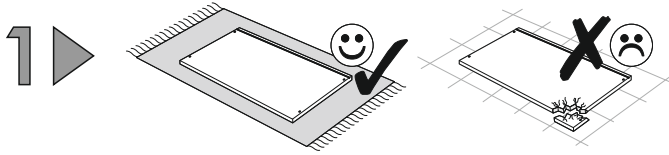
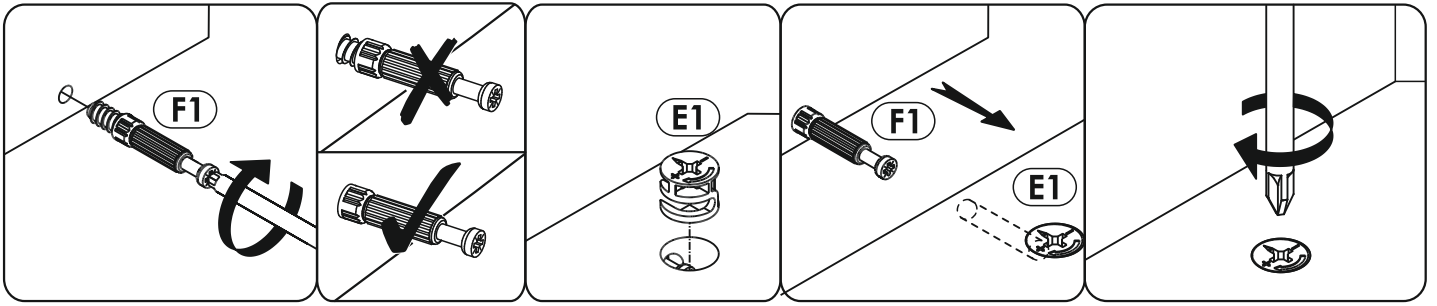
A1	8 x 35 mm	x12	A6	8 x 24 mm	x12	E1	15 x 12 mm	x4
F1	6 x 34 mm	x4	G2	7 x 60 mm	x4	I0	3 x 13 mm	x10
I9	4 x 20 mm	x32	K50	8 x 25 mm	x6	M		x1
M7	6 mm	x1	M8	8 mm	x1	N1	3 x 16 mm	x50
N17	4 x 45 mm	x24	O2A	ø20	x8	O2		x14
P16		x24	P17		x14	P40		x2
		ø14			ø20			
S10		x6	S18		x6	W14		x4



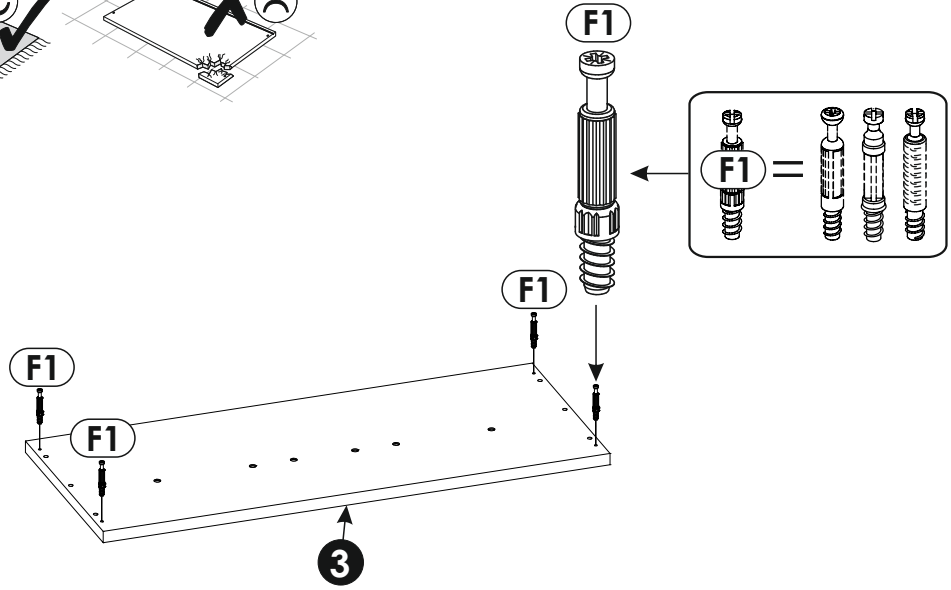
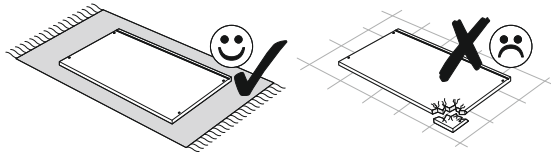
POZZ01



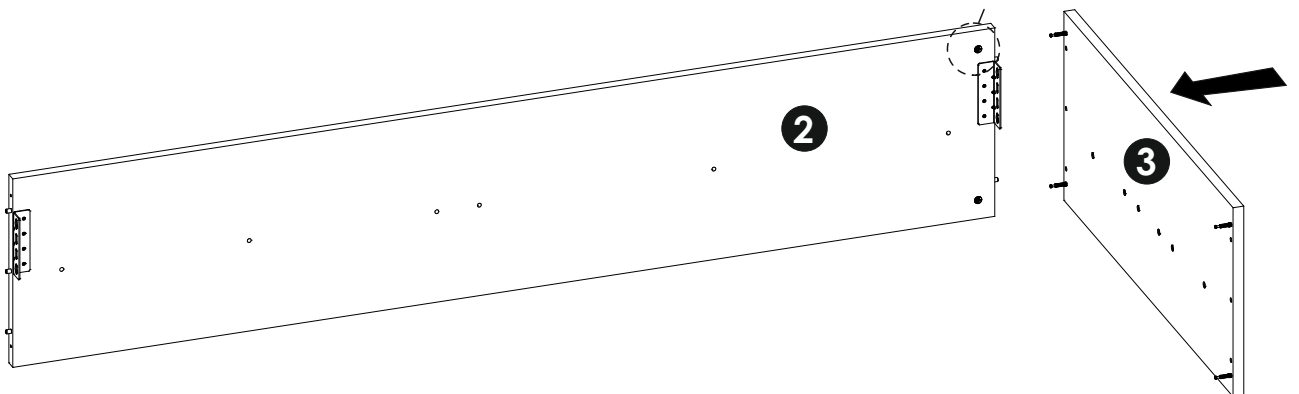
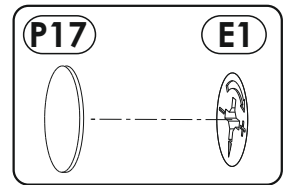
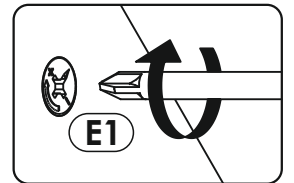
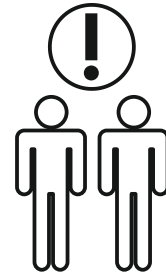
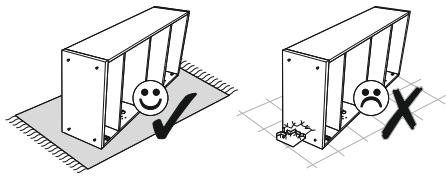
1	2010	400	22 x1	2/2
2	2010	400	22 x1	2/2
3	951	401	22 x1	1/2
4	951	951	22 x1	1/2
5	1050	120	28 x2	1/2
6	850	120	28 x2	1/2
7	550	45	3 x2	1/2
8	2048	942	3 x1	2/2

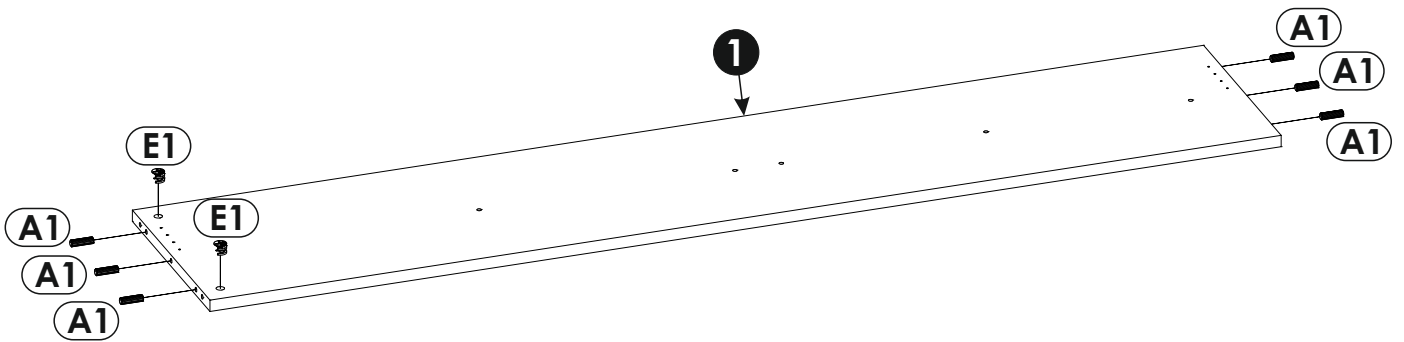
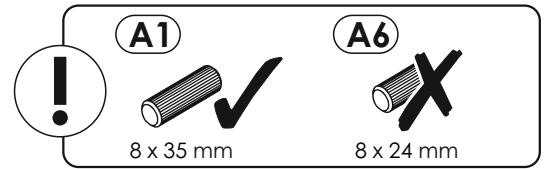
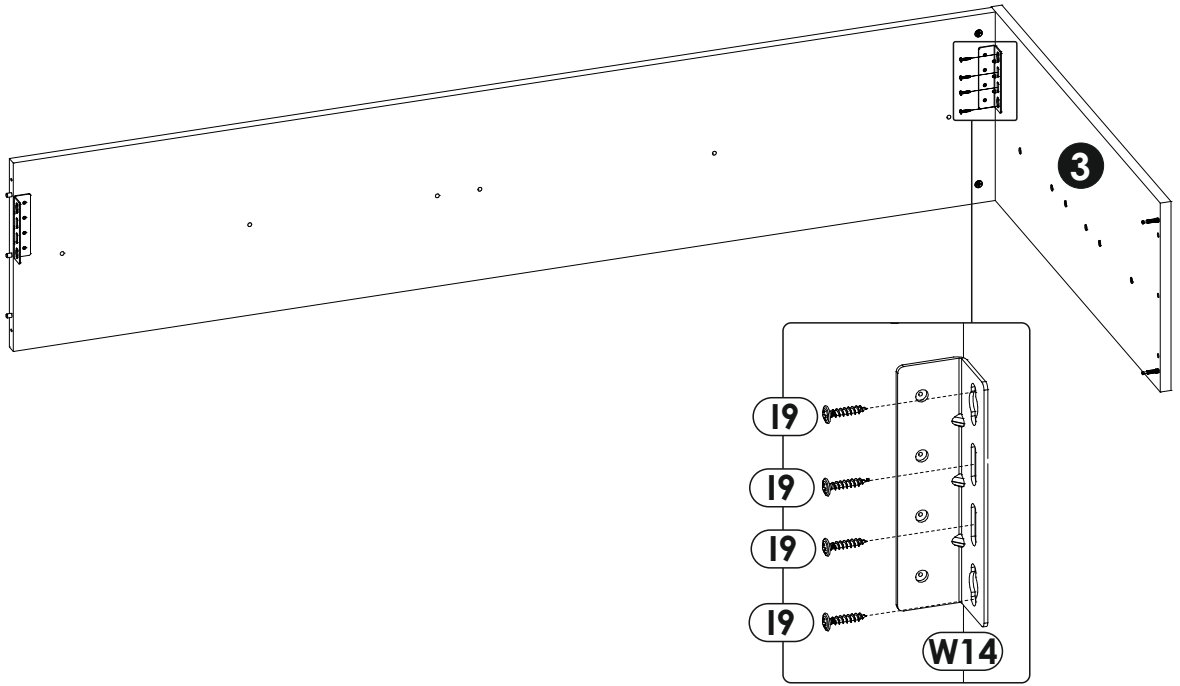
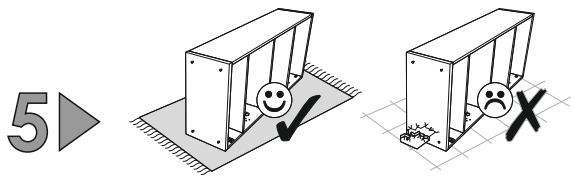


3 ▶

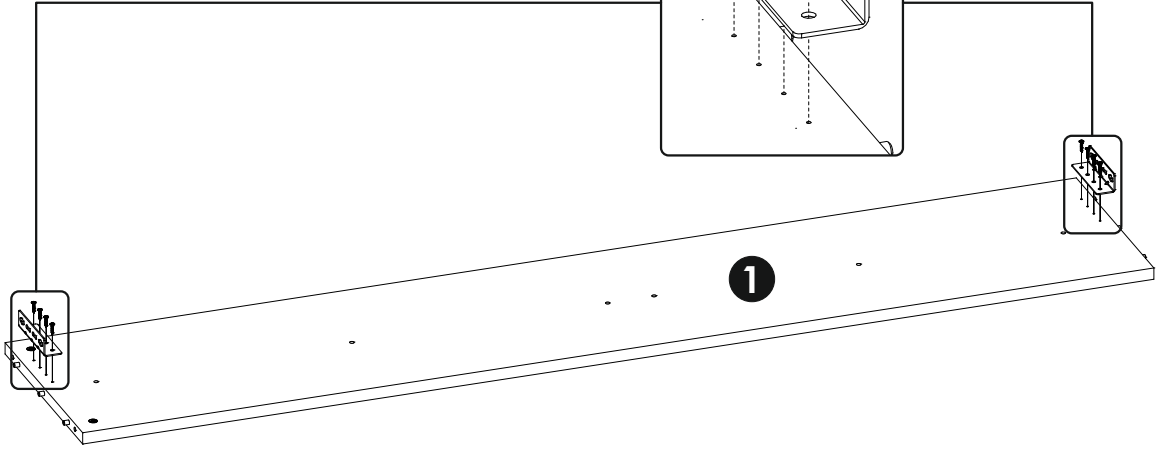
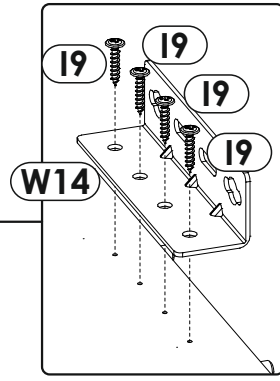
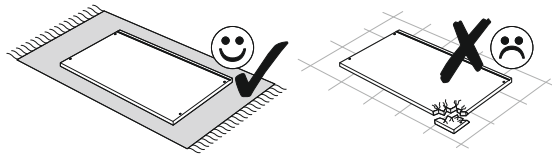


4 ▶

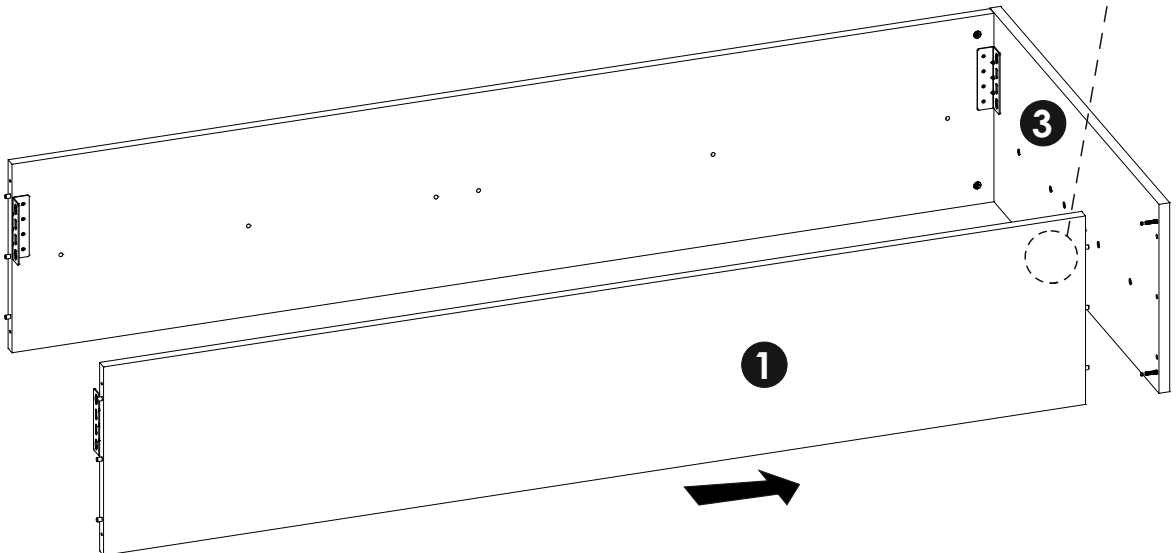
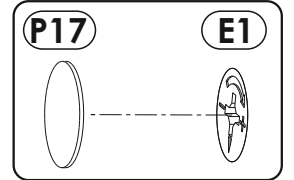
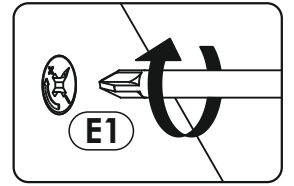
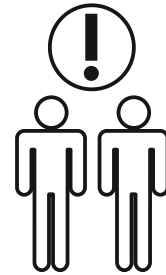
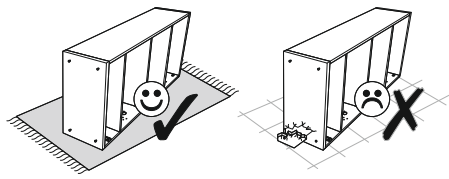


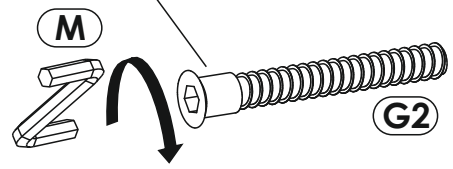
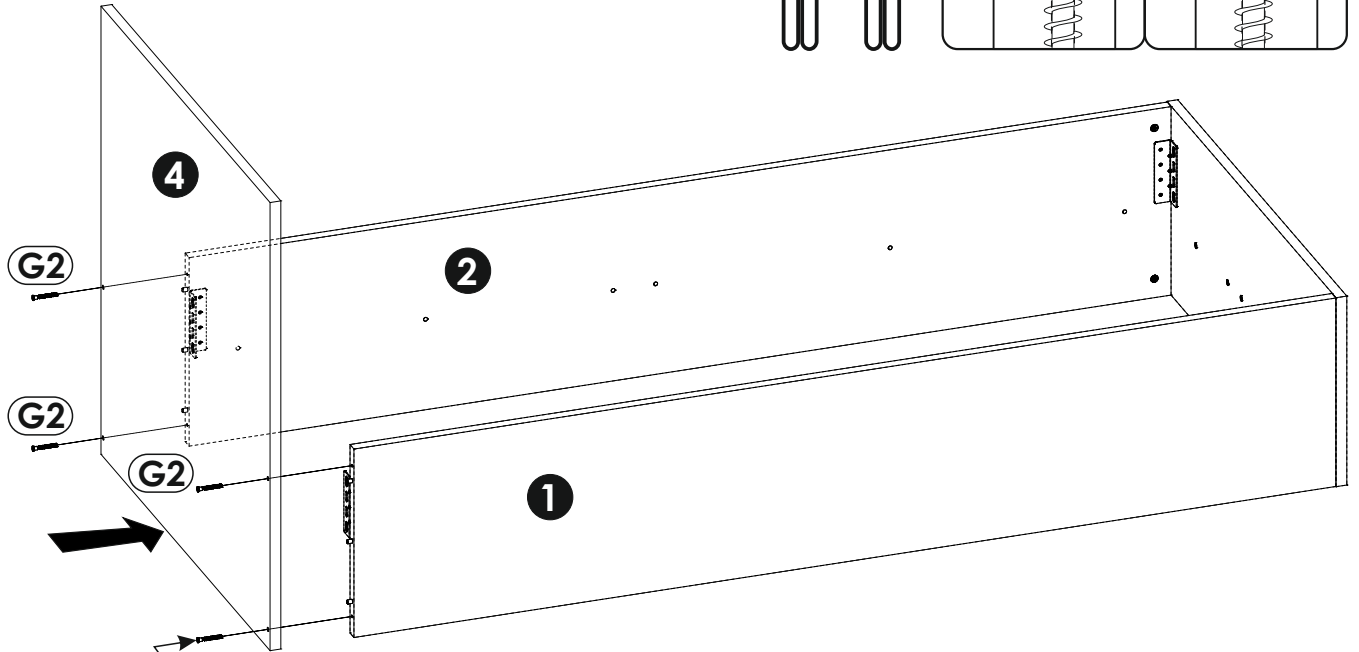
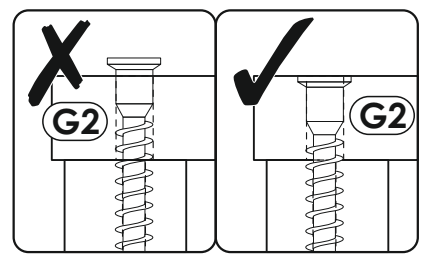
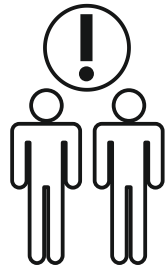
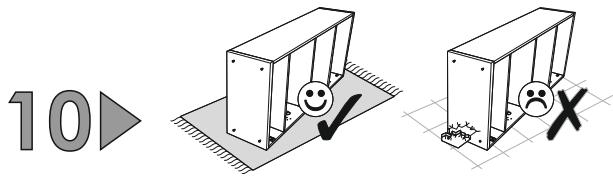
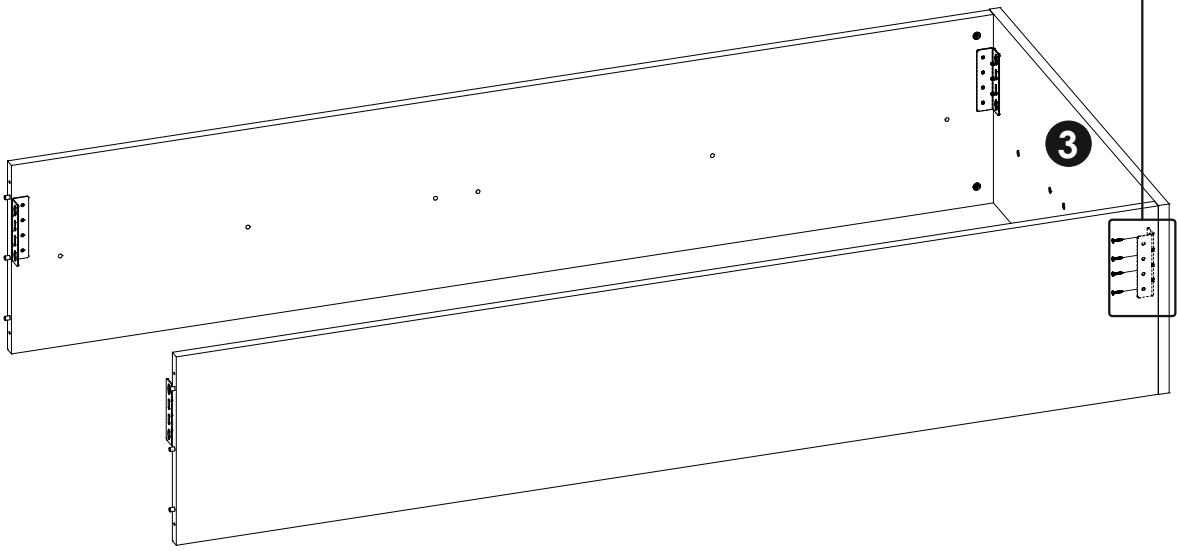
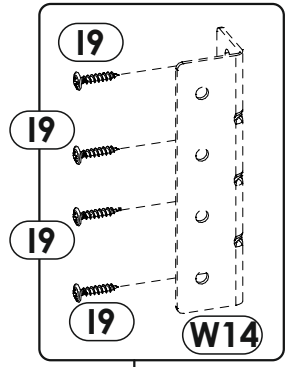
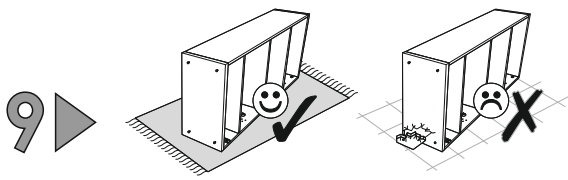


7 ▶

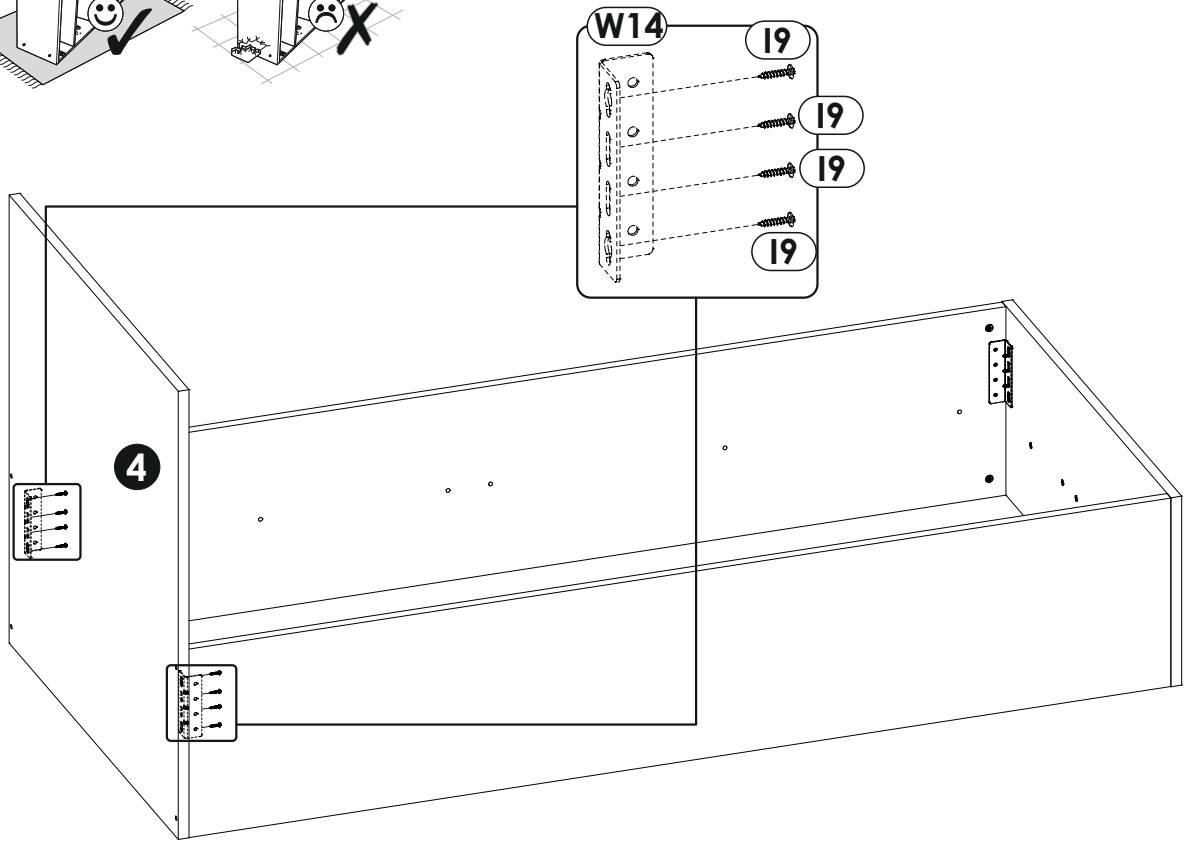
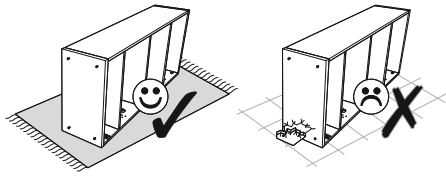


8 ▶

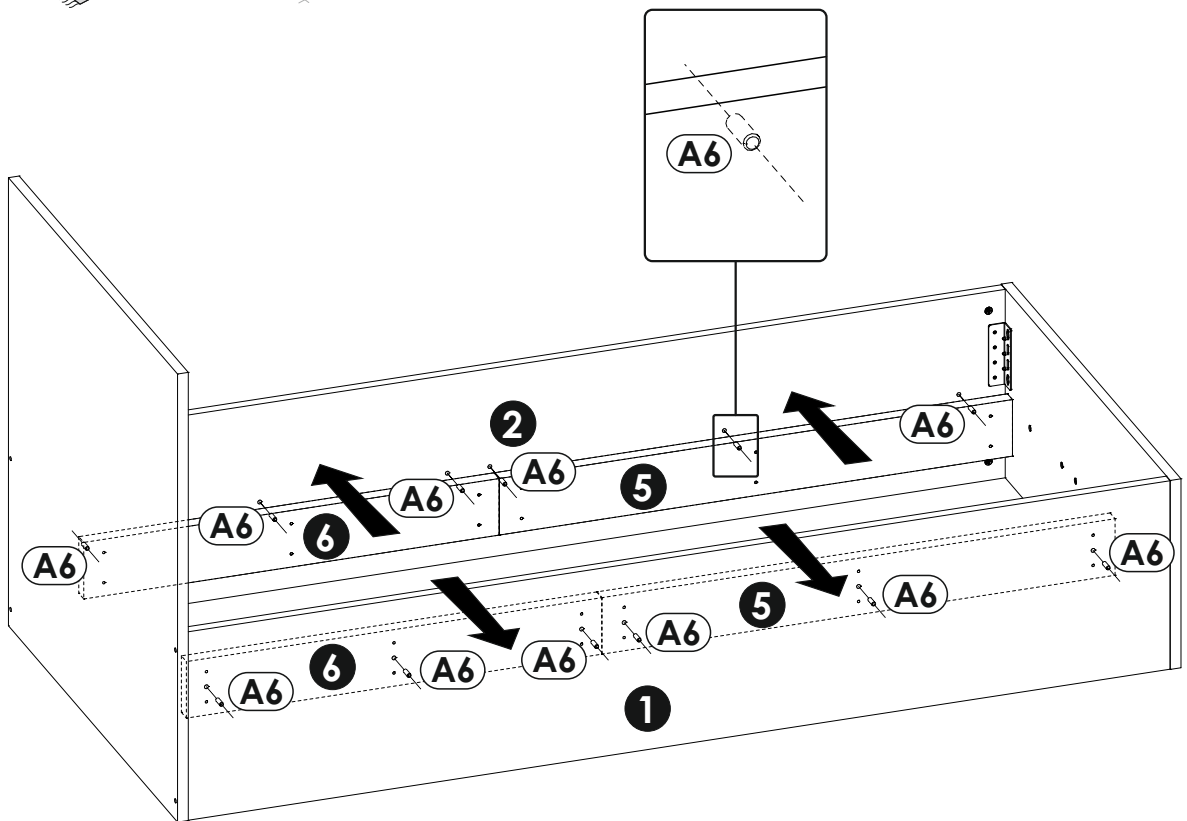
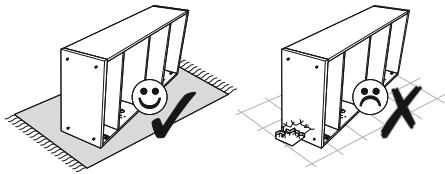




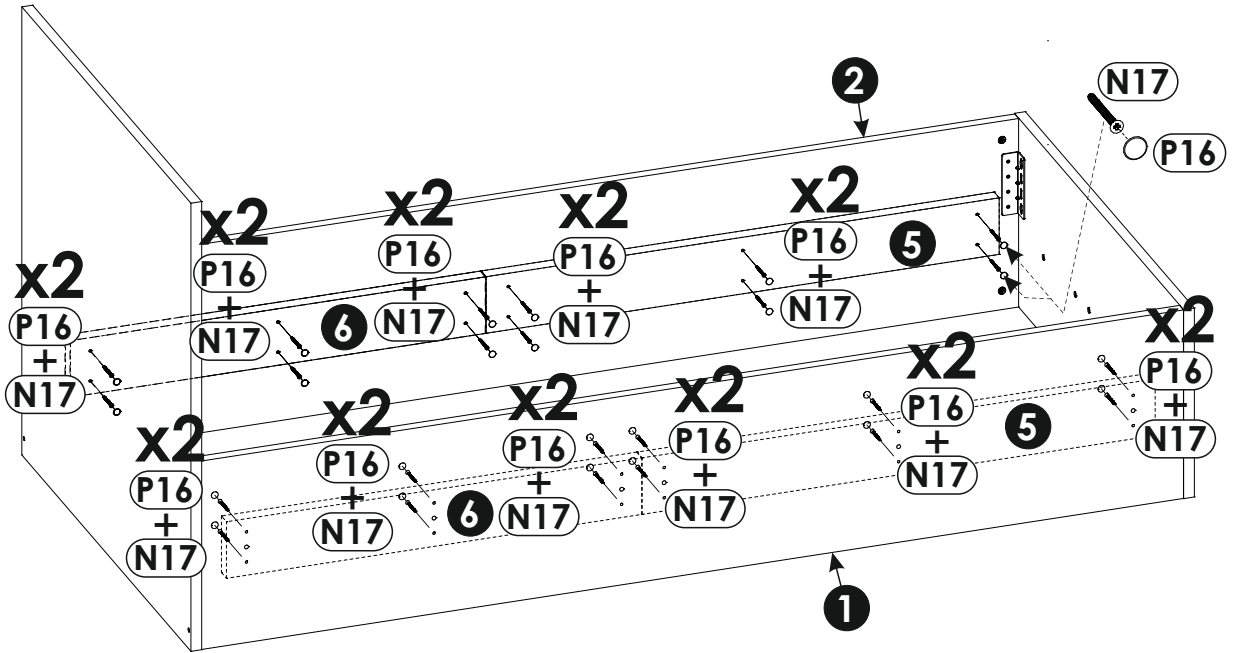
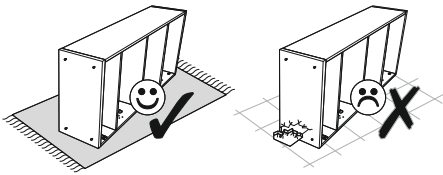
11 ▶



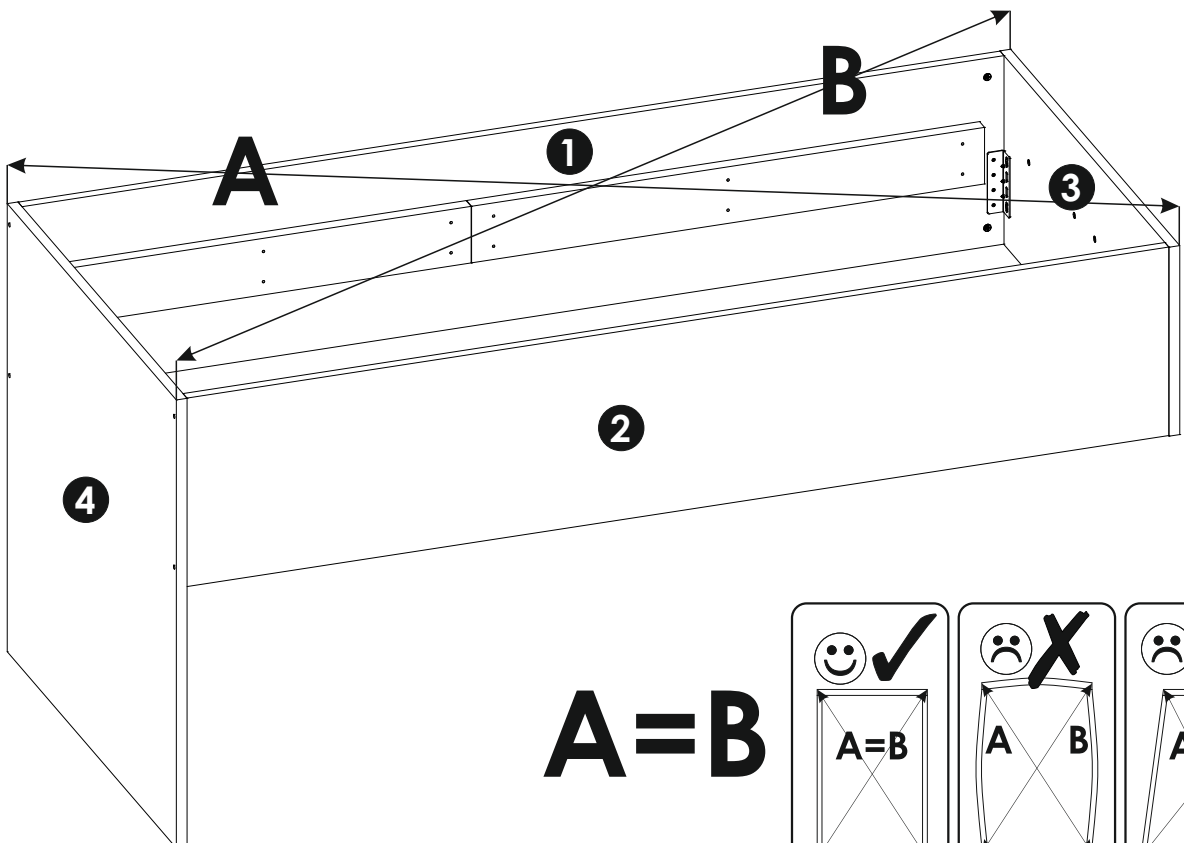
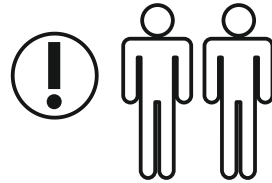
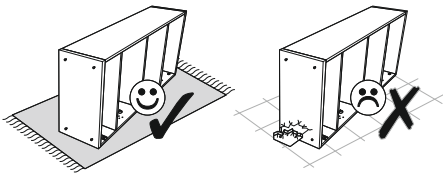
12 ▶



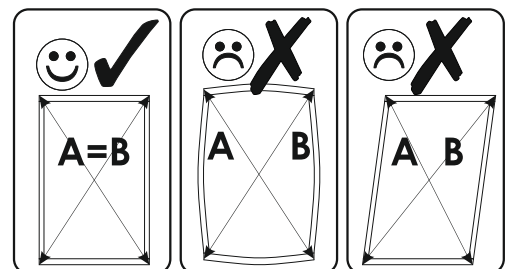
13▶



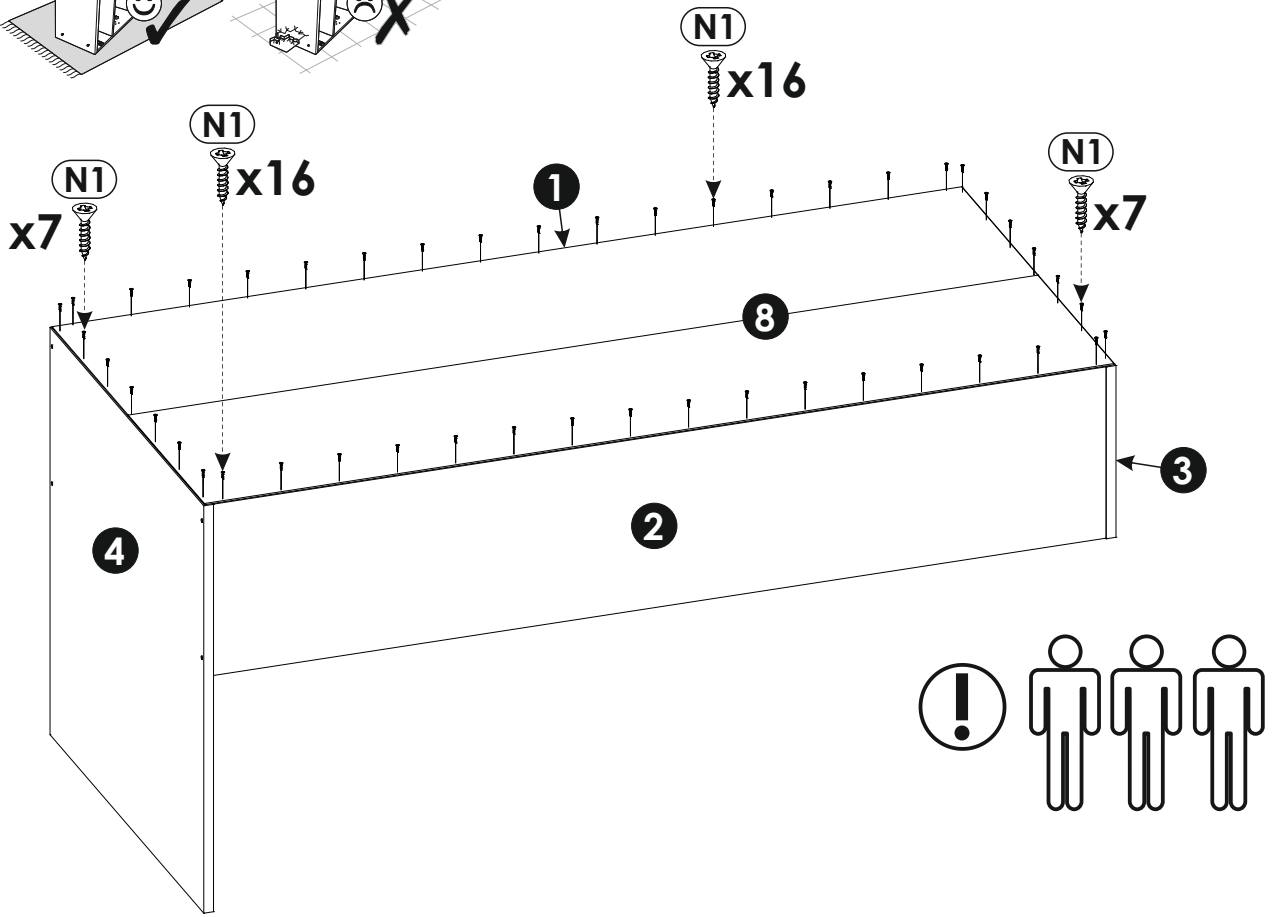
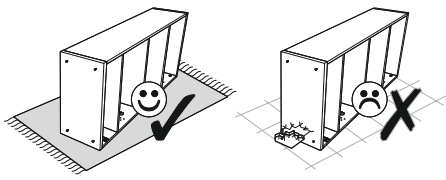
14▶



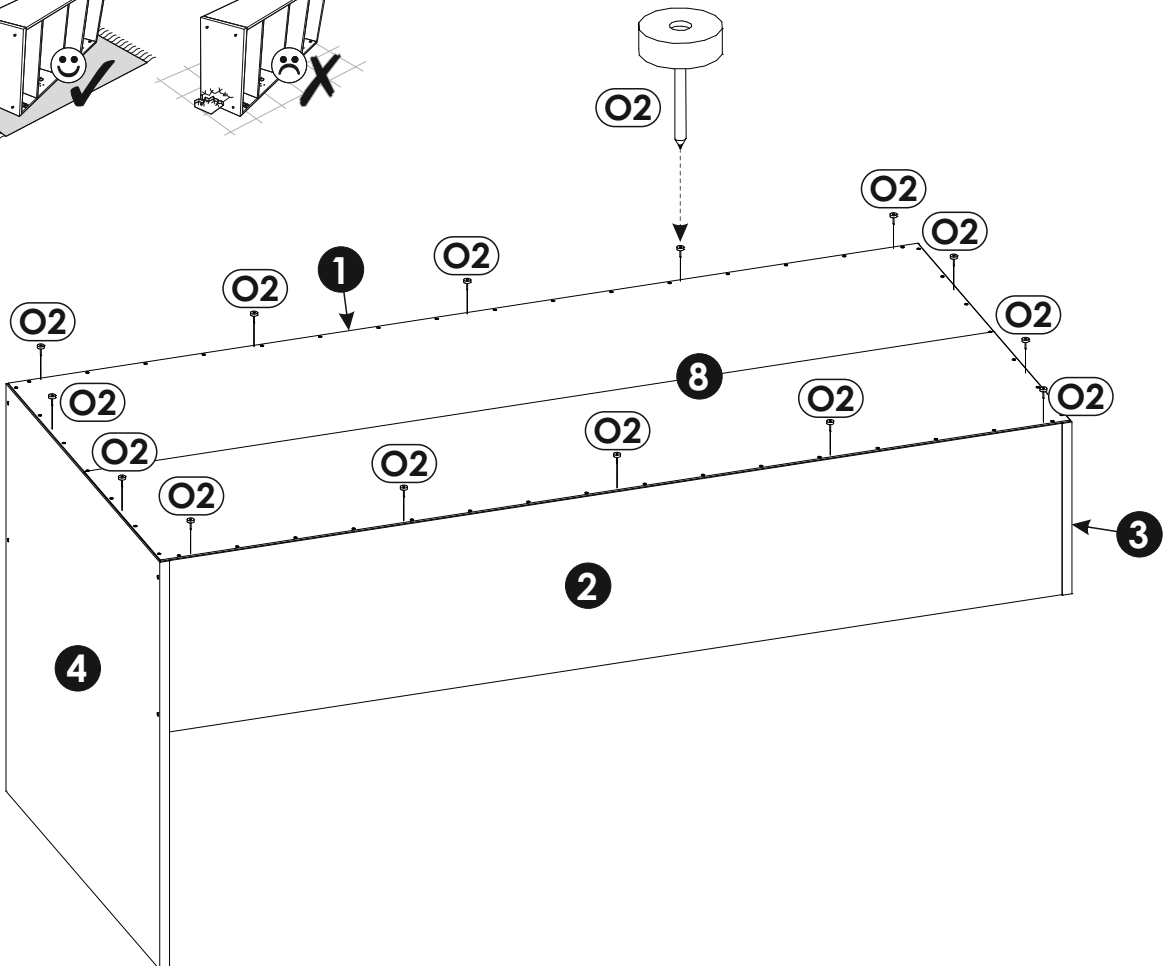
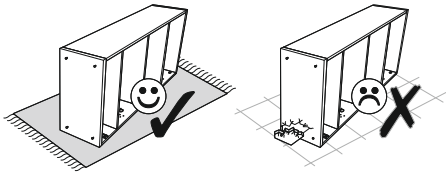
A=B



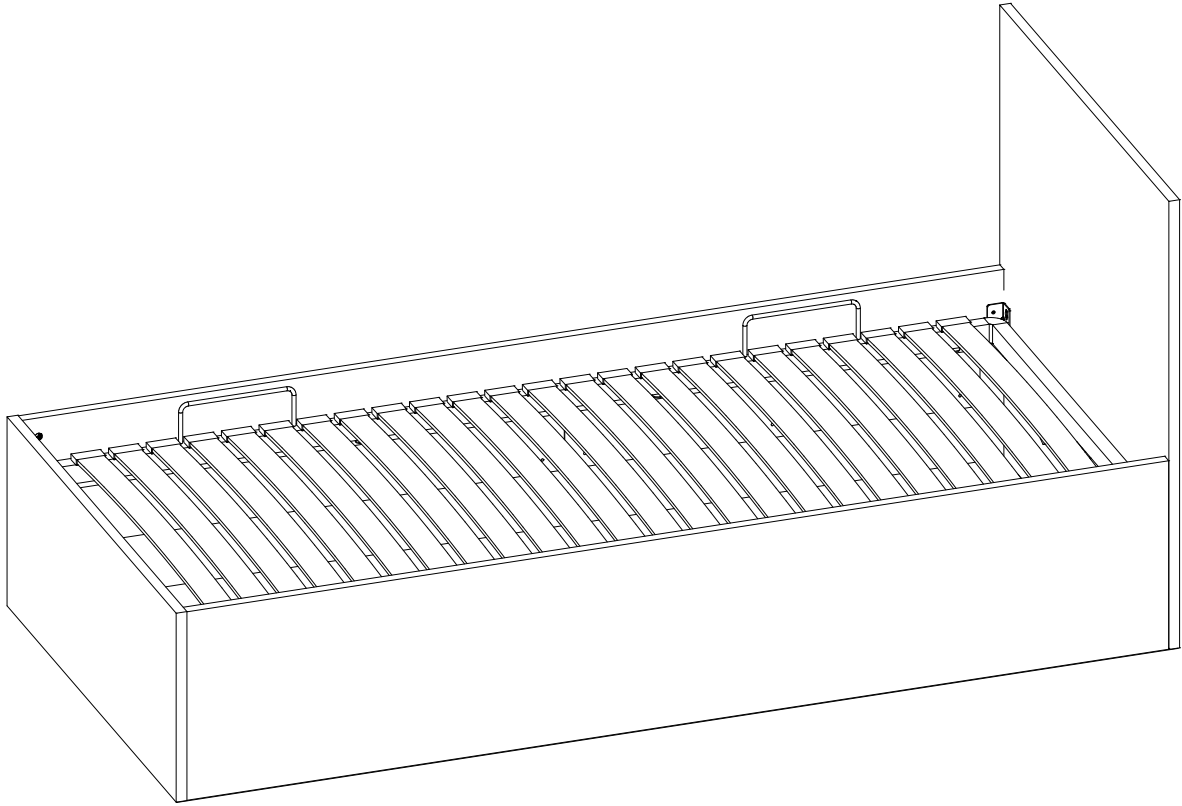
15 ▶



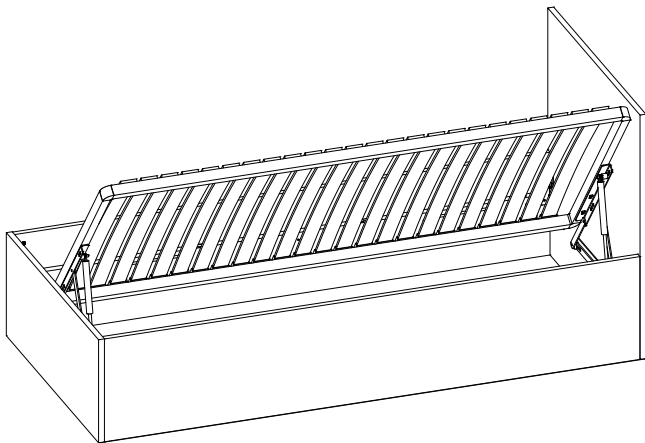
16 ▶



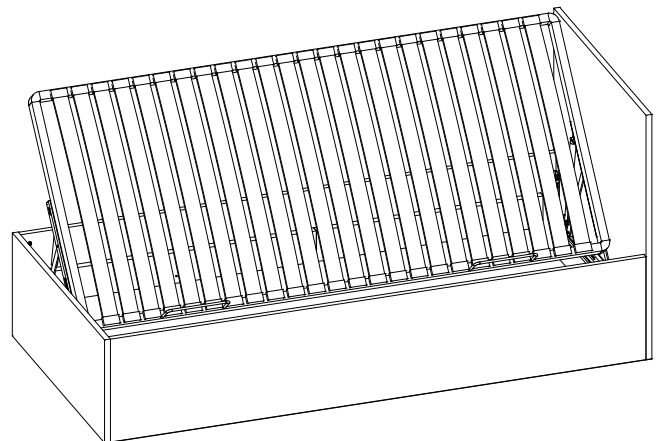
OPTION



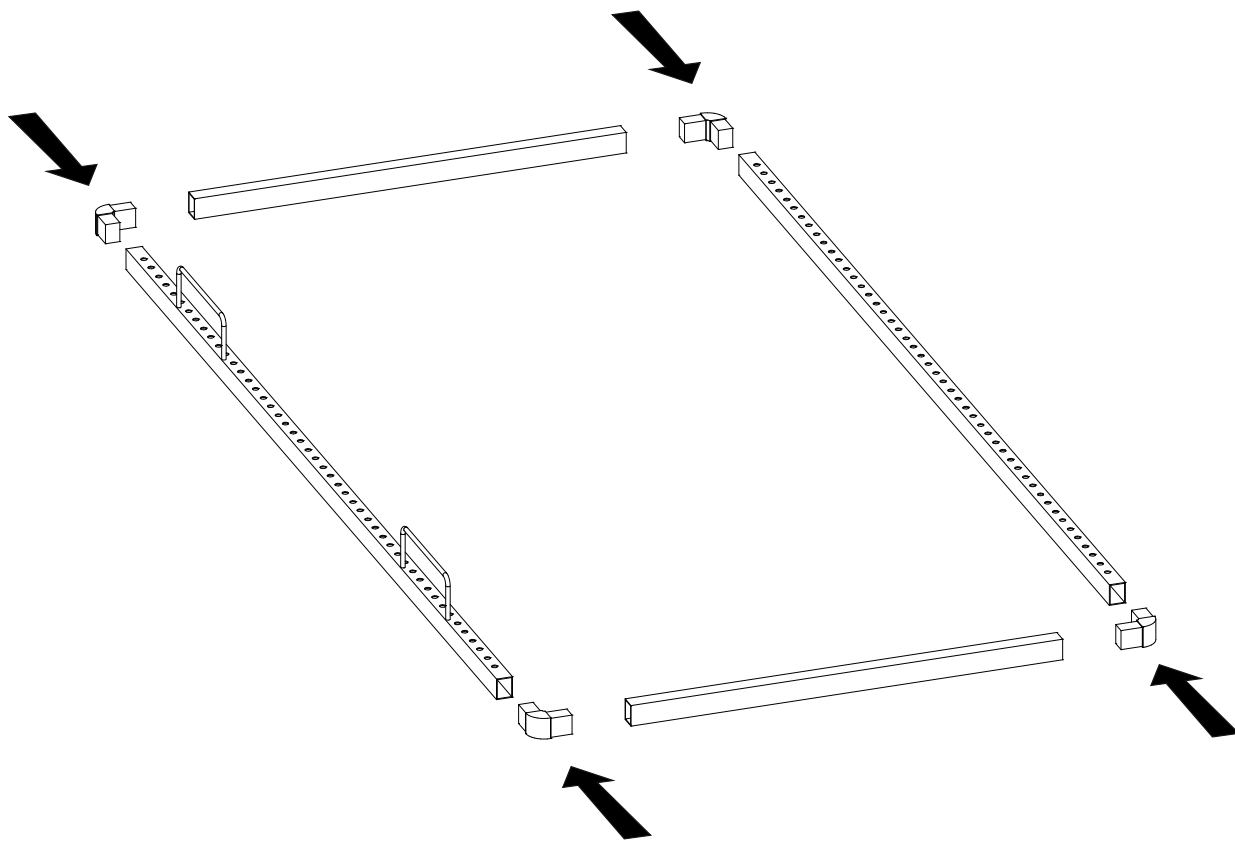
OPTION A



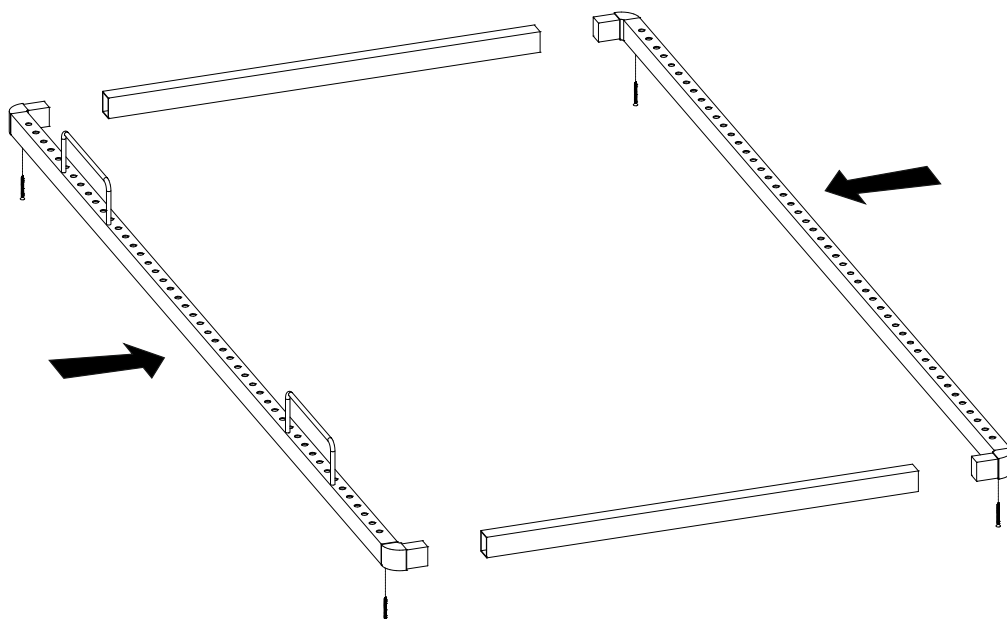
OPTION B



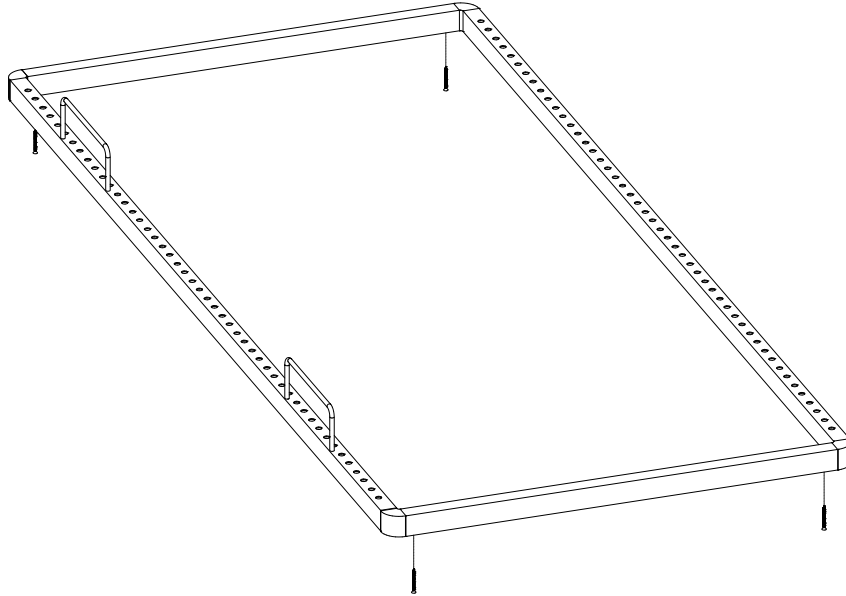
17▶



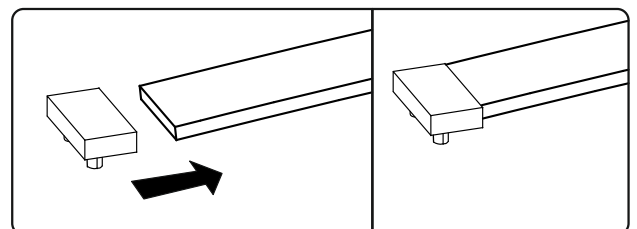
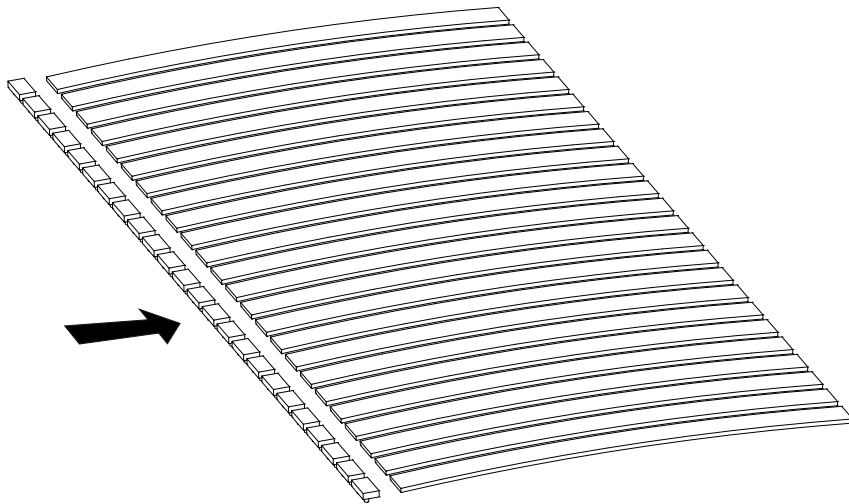
18▶

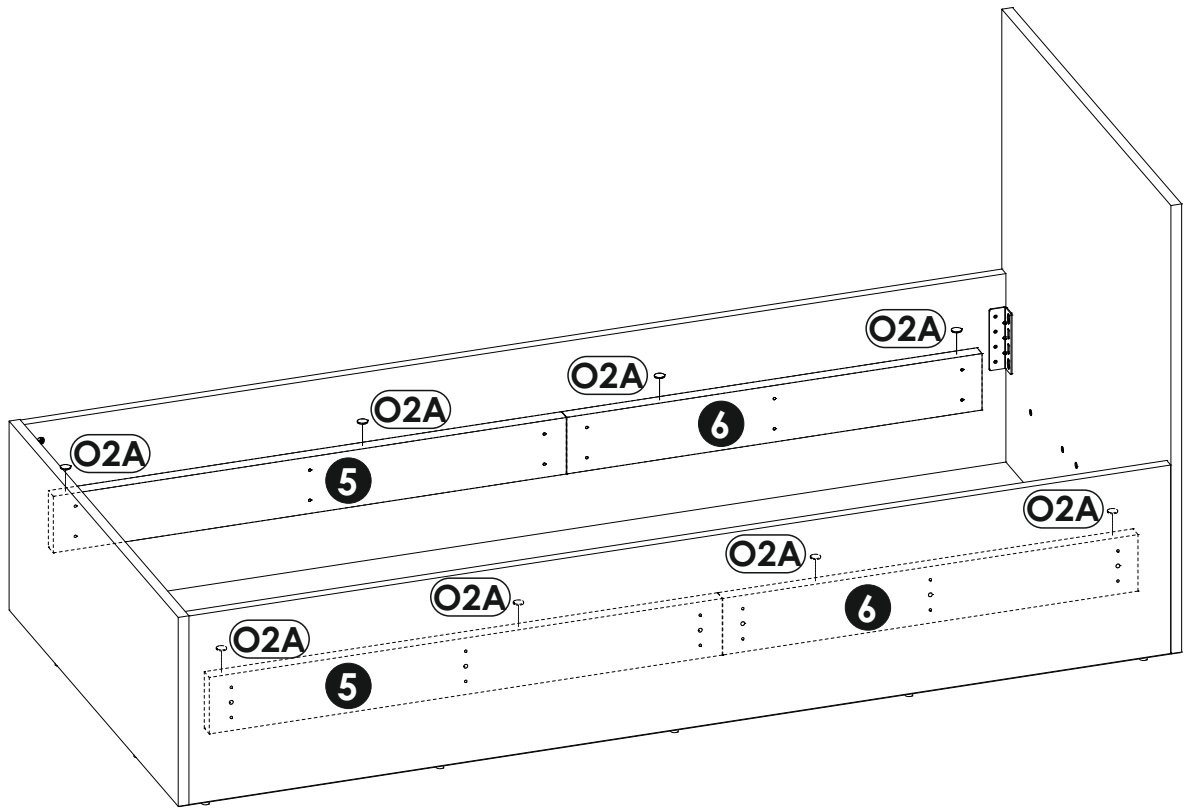


19▶

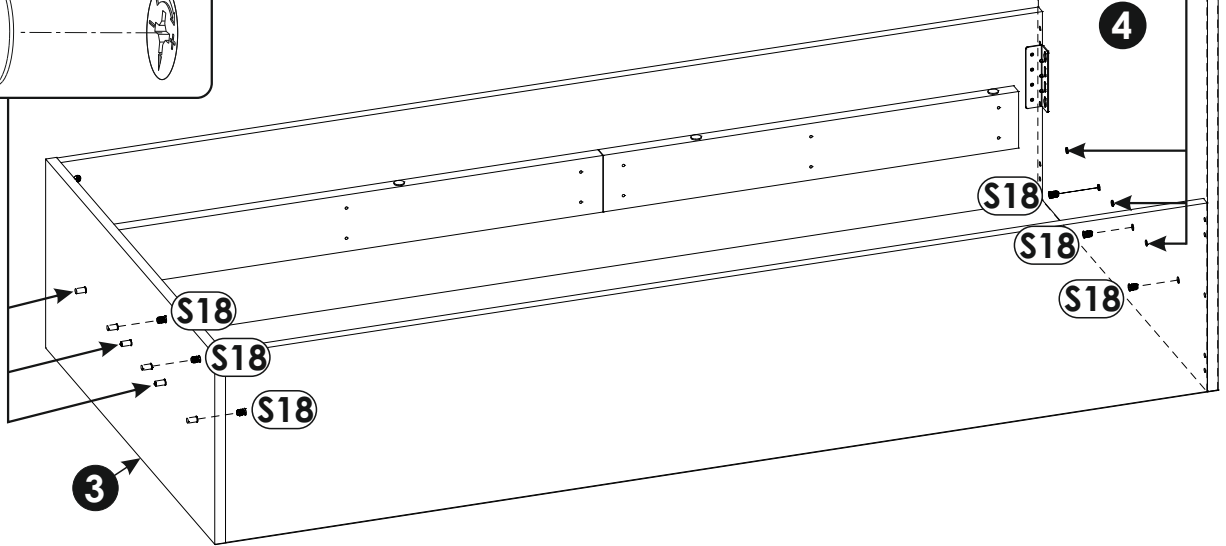
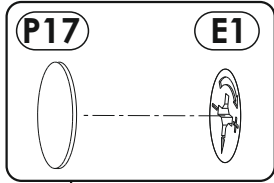
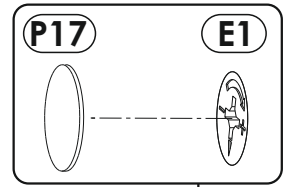
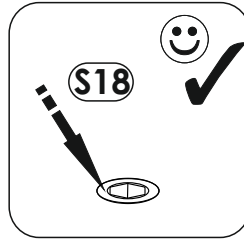
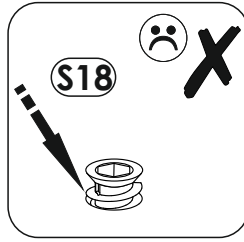
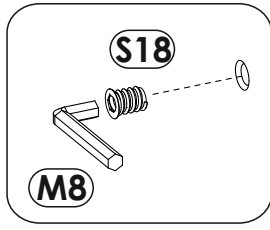


20▶

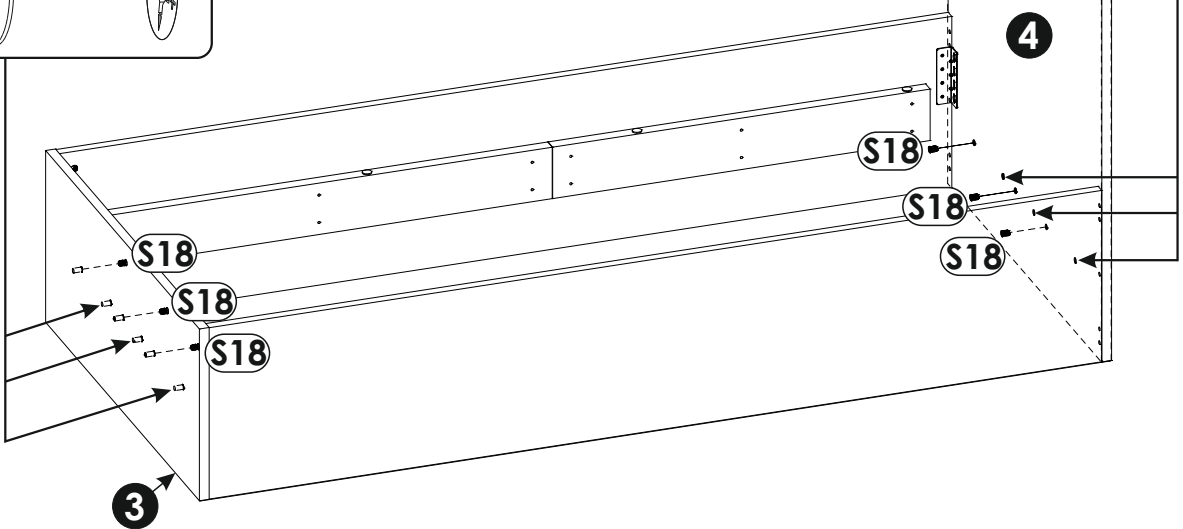
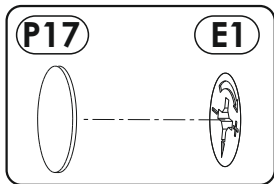
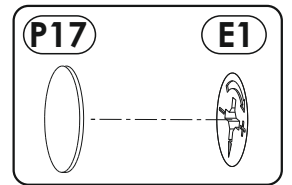
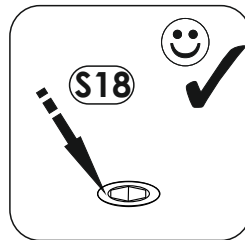
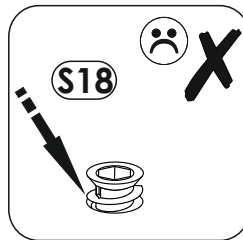
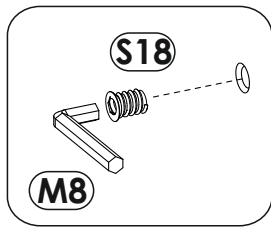




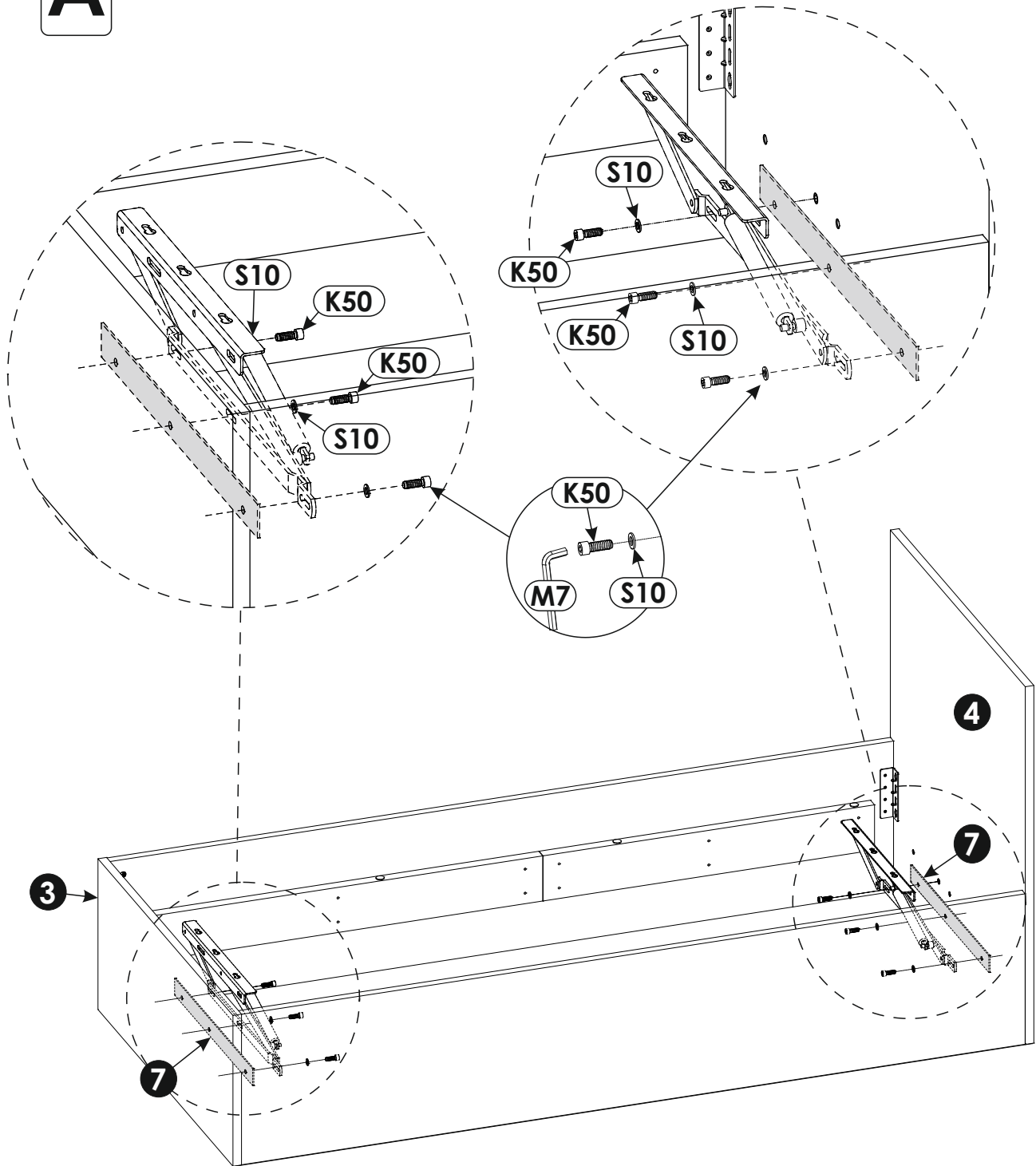
A



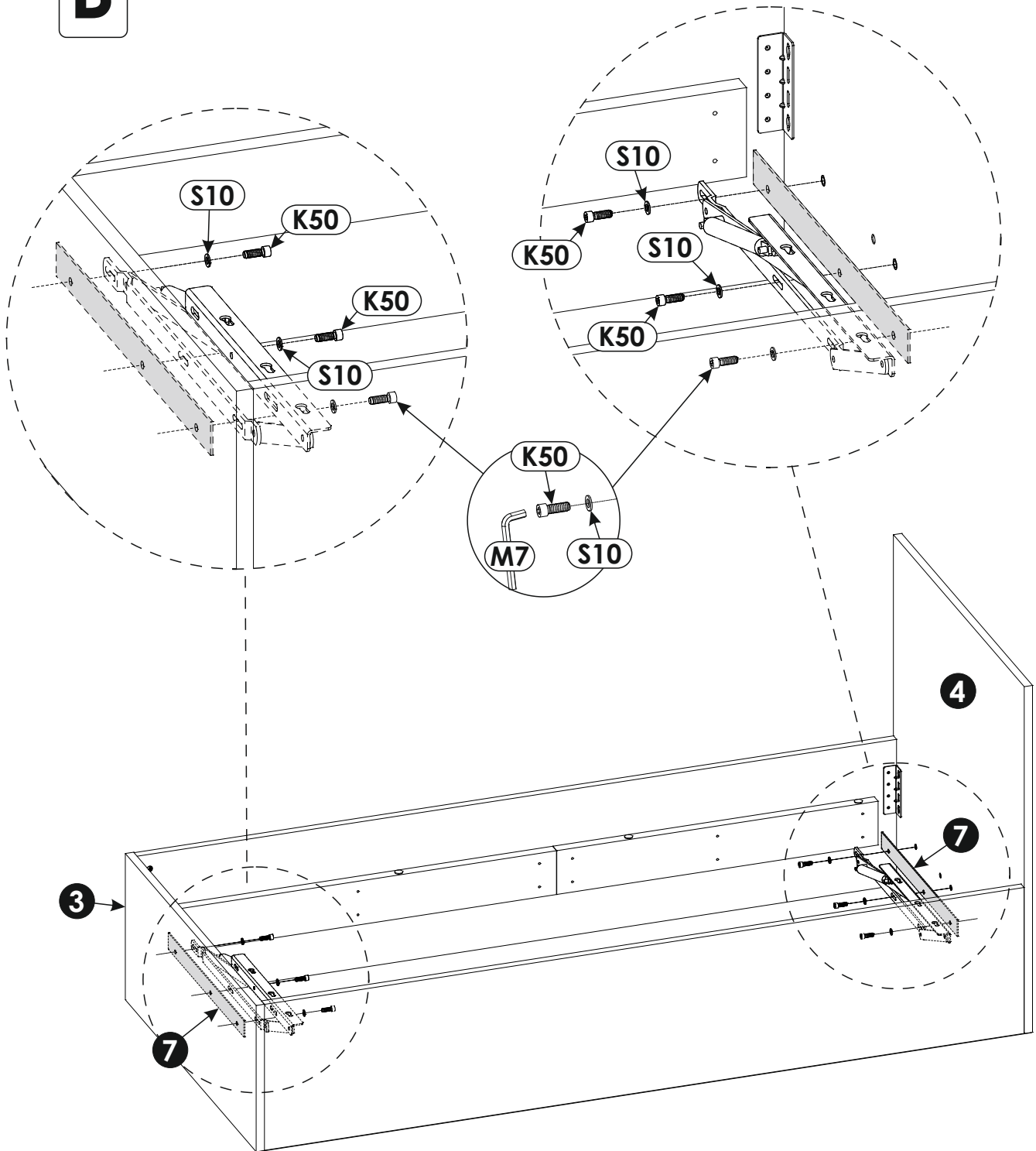
B

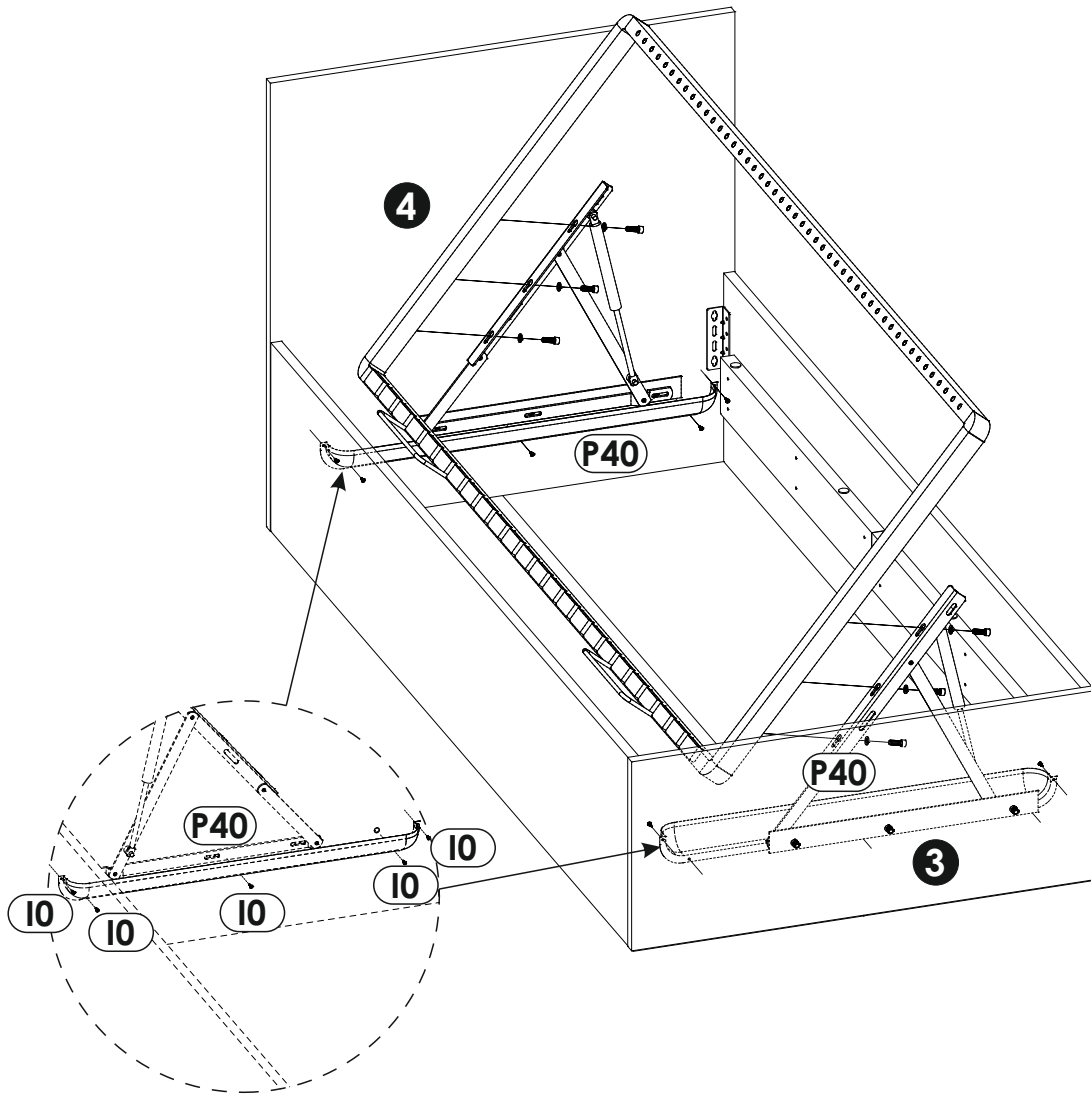


A

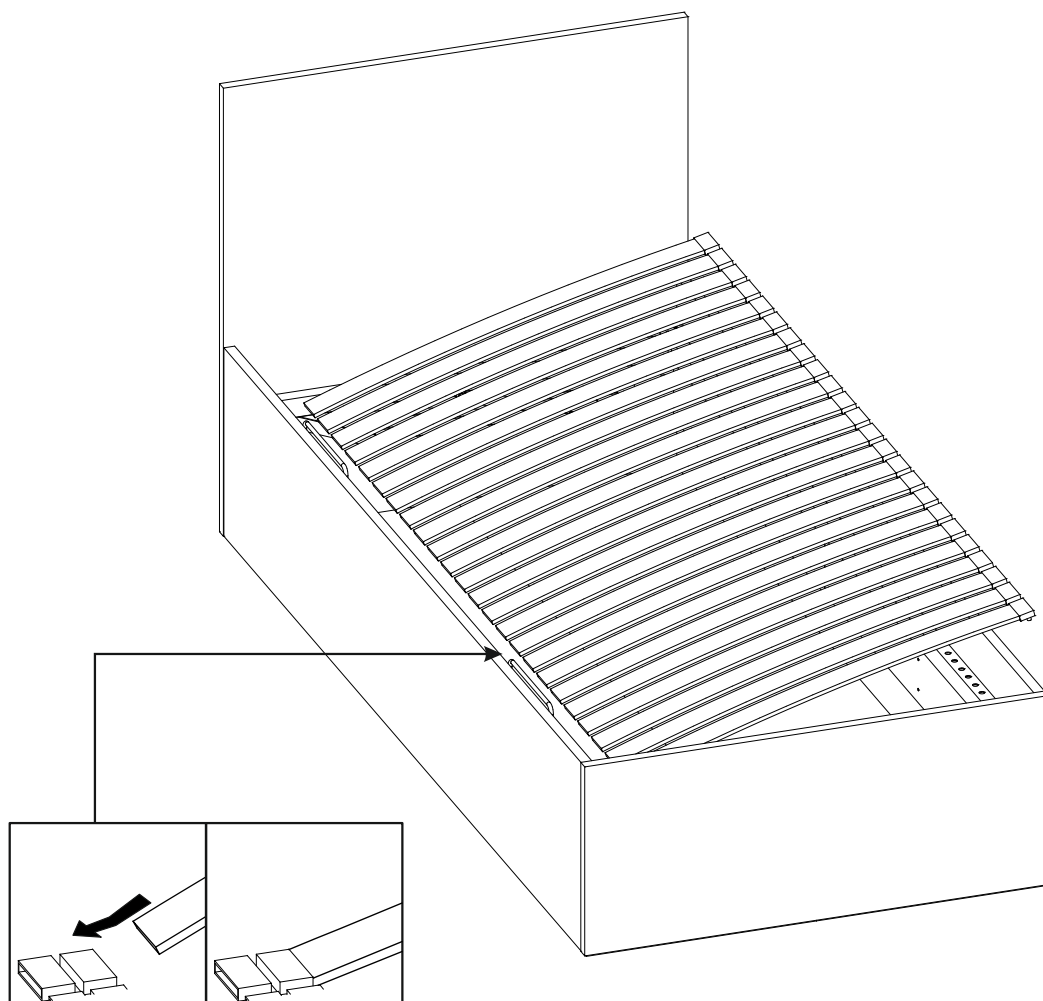


B

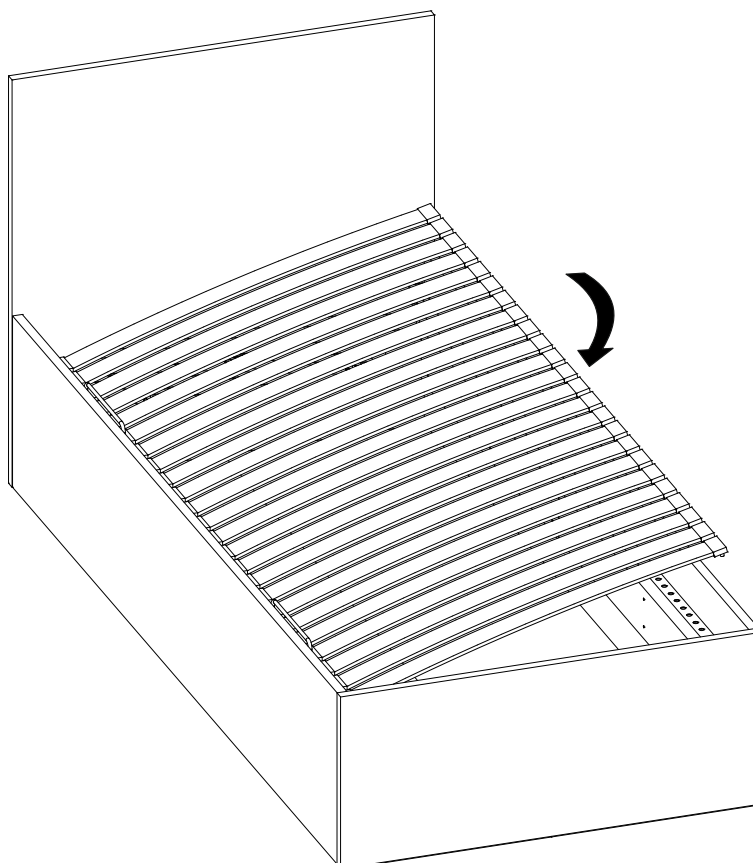




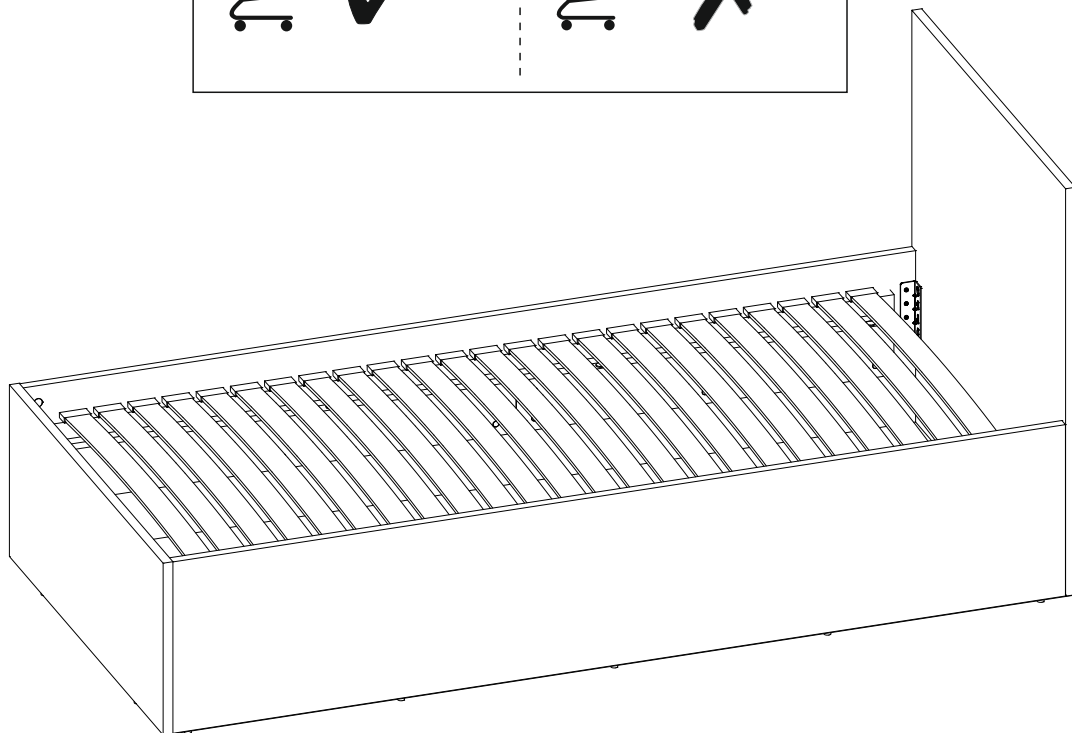
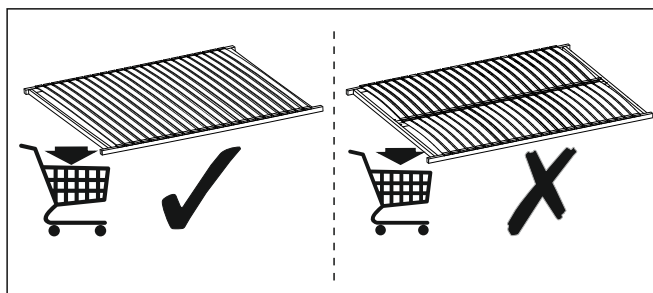
26 ▶



27 ▶



OPTION



28 ▶

