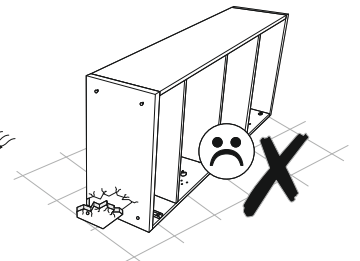
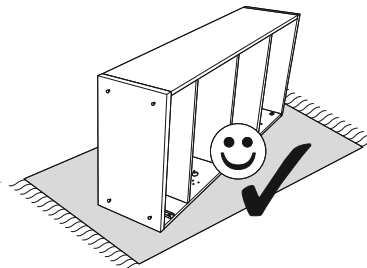
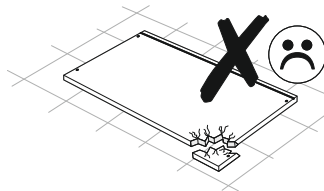
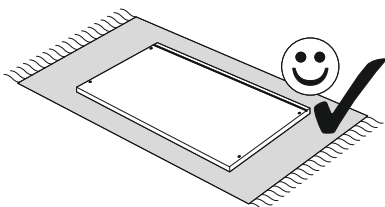
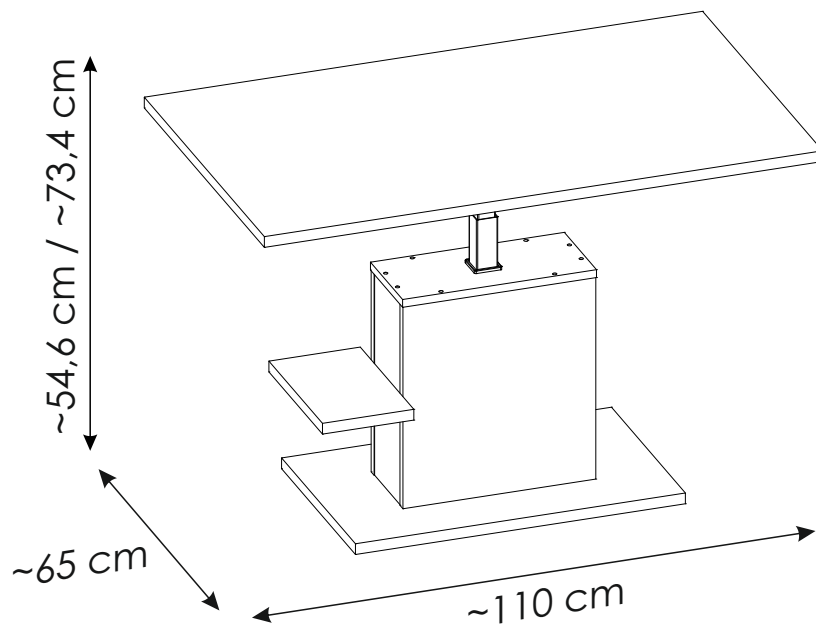
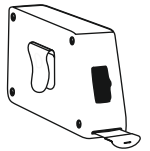
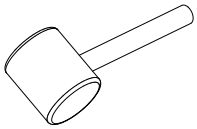
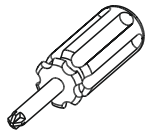
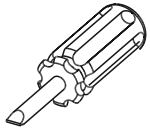

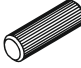

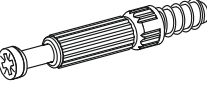

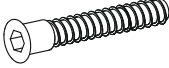




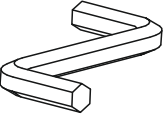
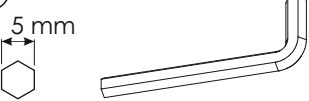


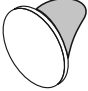

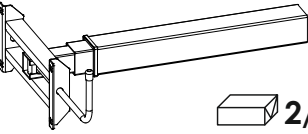
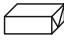


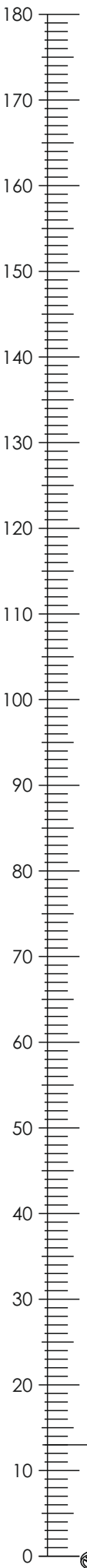
CRTT07



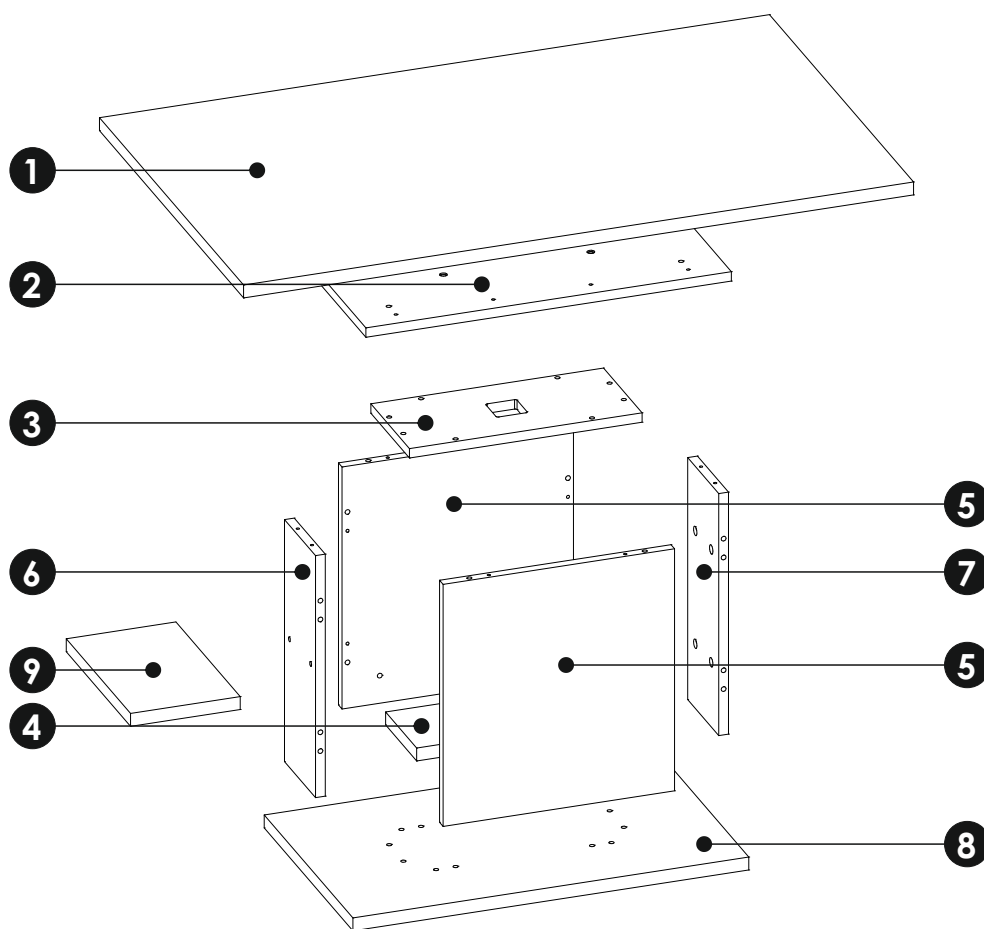
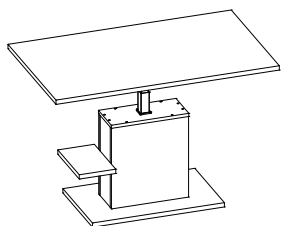


CRTT07

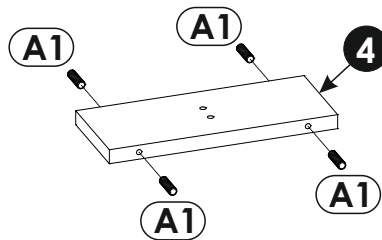
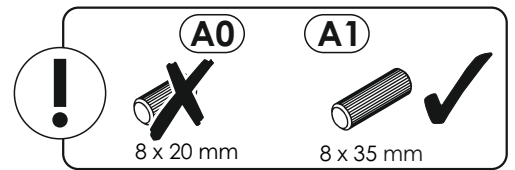
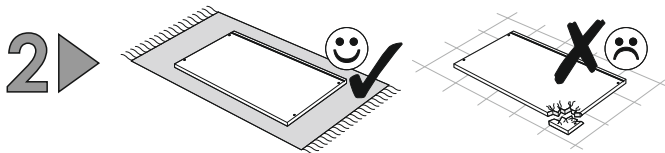
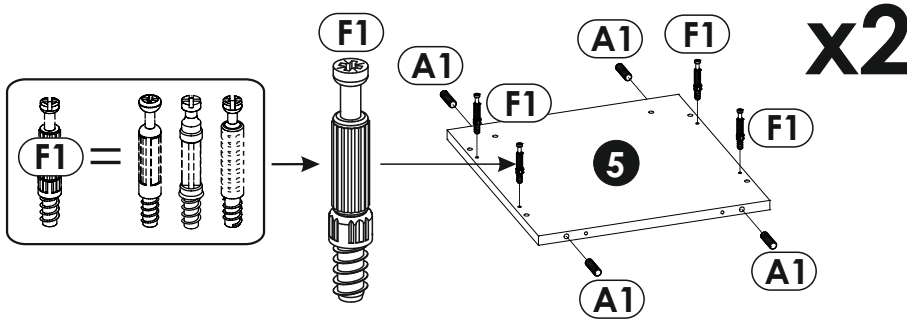
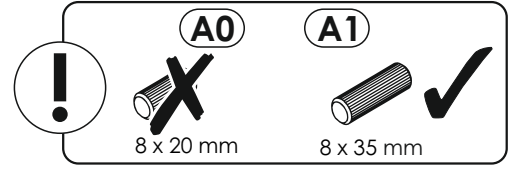
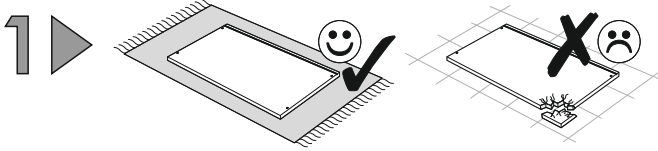
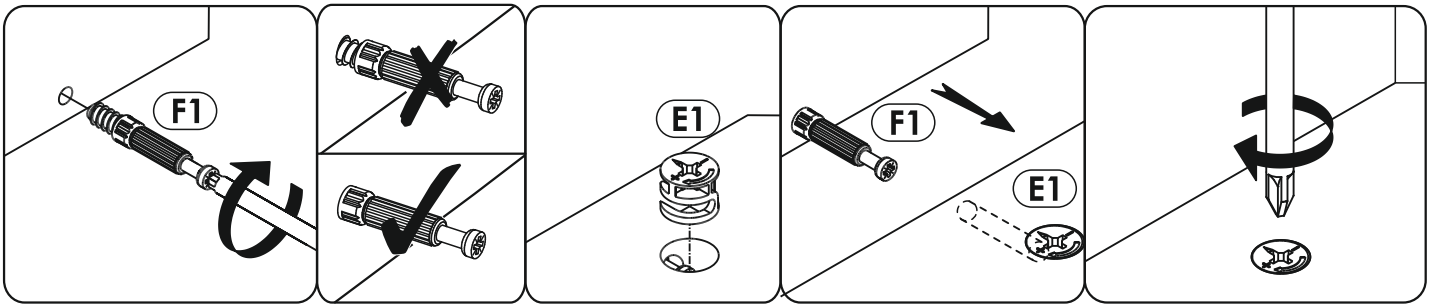
A0 8 x 20 mm x4 	A1 8 x 35 mm x20 	E1 15 x 12 mm x8 
F1 6 x 34 mm x8 	G0 	G1 7 x 50 mm x8 
G2 7 x 60 mm x10 	KN2 M6 x4 	K23 6 x 35 mm x4 
K25 8 x 40 mm x2 	M x1 	M5 5 mm x1 
N14 4 x 30 mm x10 	O2A ø20 x6 	P16 x10 ø14 
S10 x4 	X x1  2/2 	

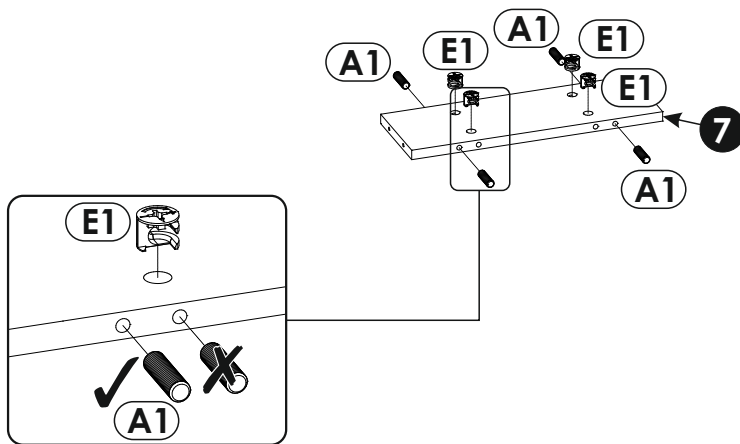
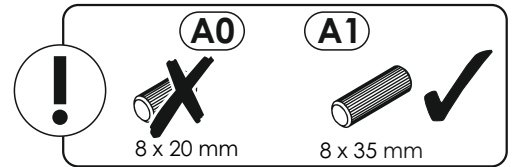
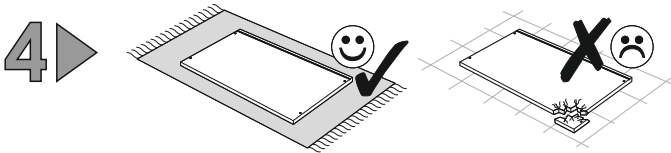
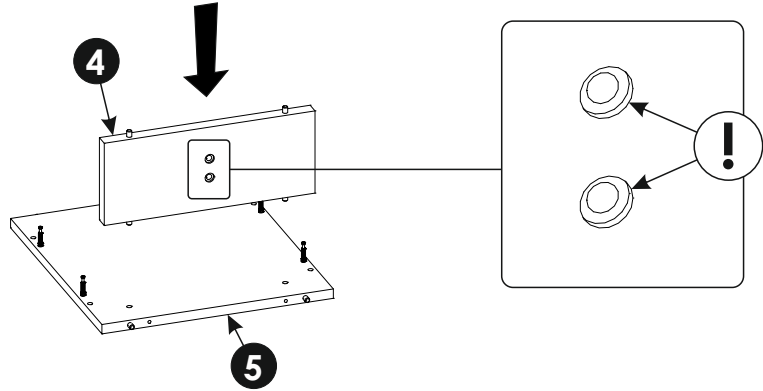
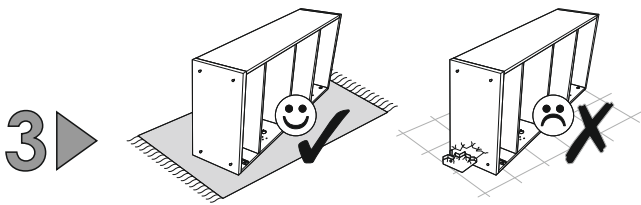


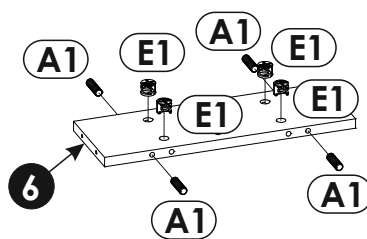
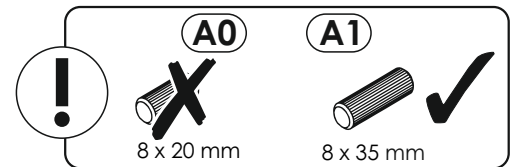
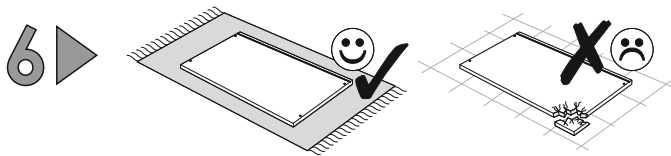
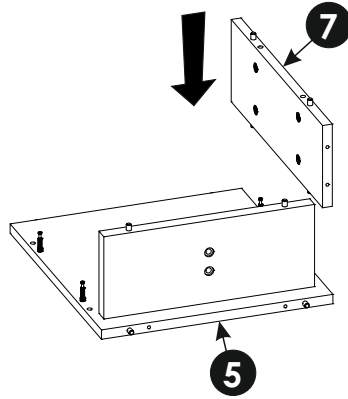
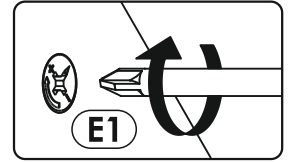
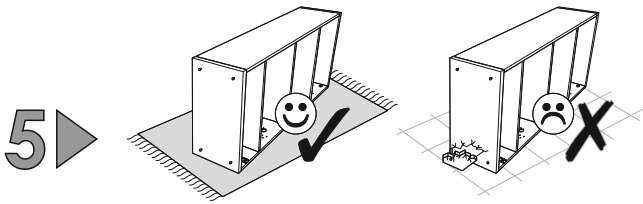
CRTT07

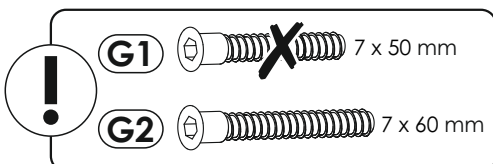
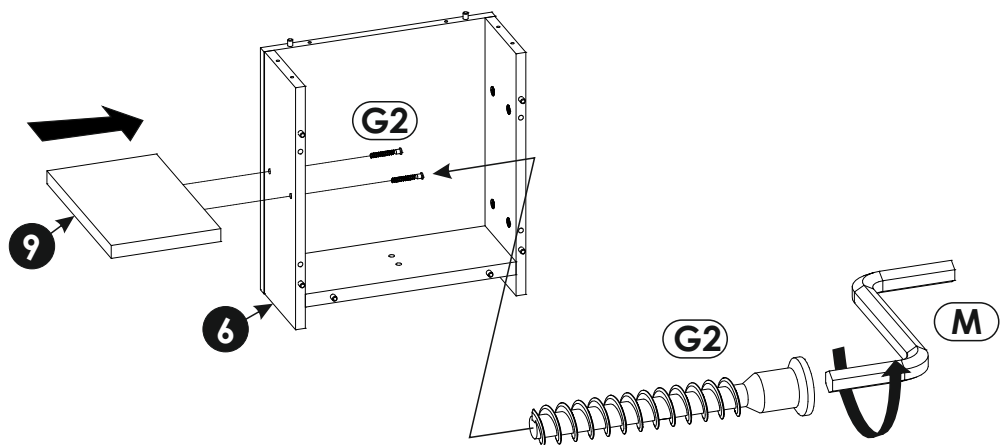
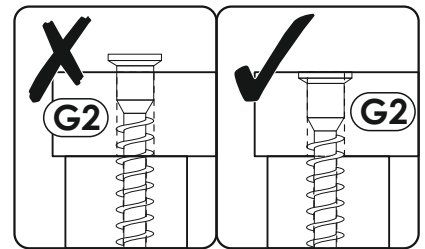
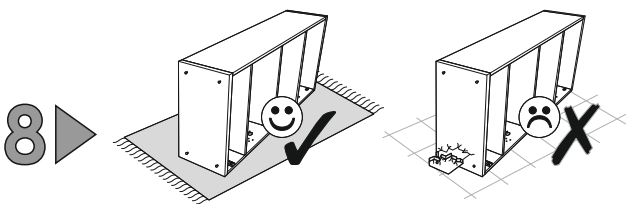
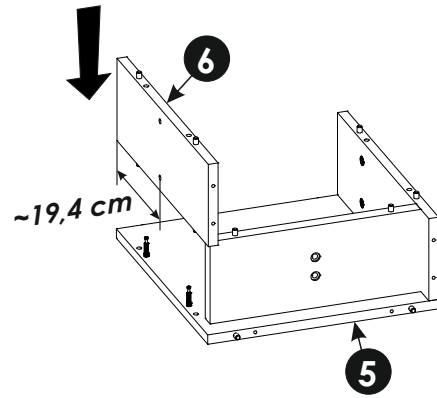
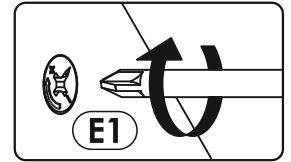
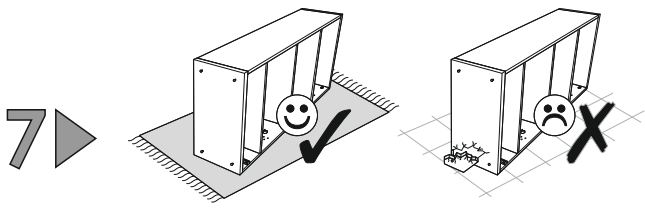


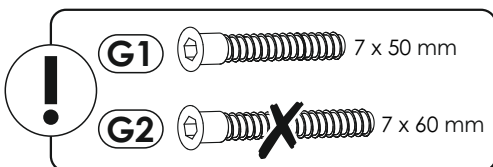
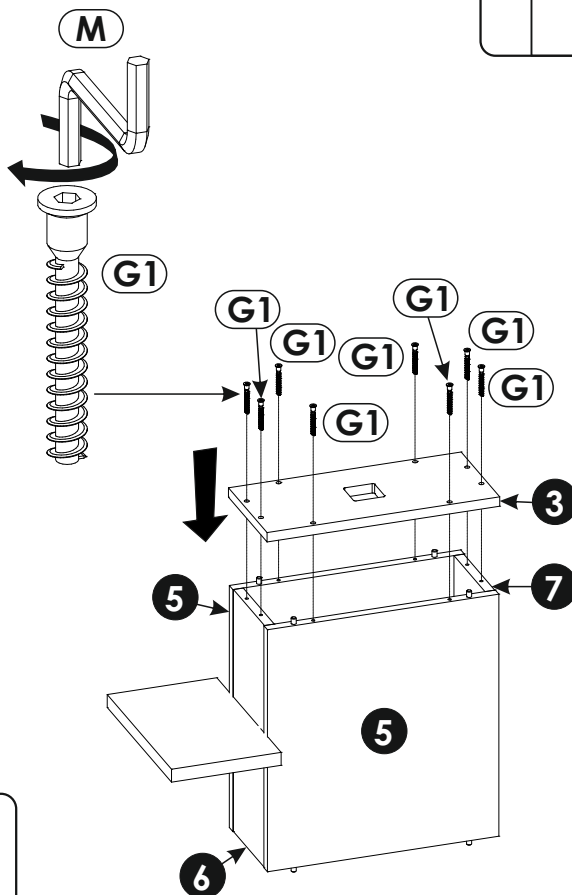
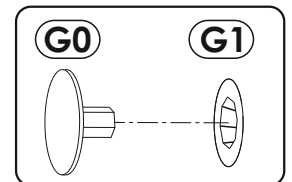
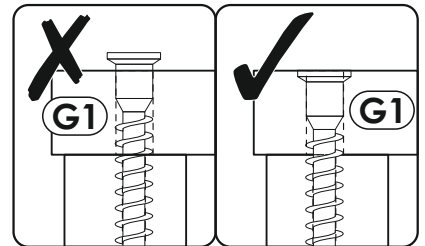
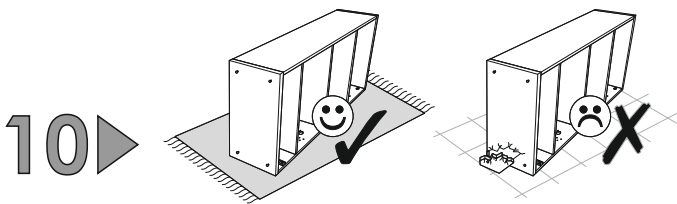
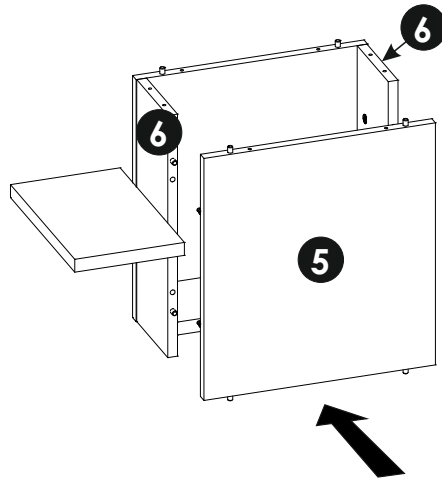
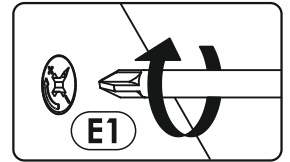
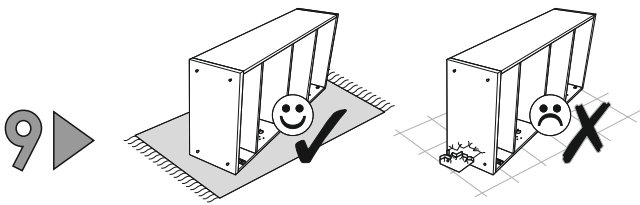
1	1100	650	22	x1	1/2	6	412	140	16	x1	1/2
2	600	380	16	x1	1/2	7	412	140	16	x1	1/2
3	382	174	16	x1	1/2	8	650	400	22	x1	1/2
4	346	140	22	x1	1/2	9	180	290	22	x1	1/2
5	412	380	16	x2	1/2						



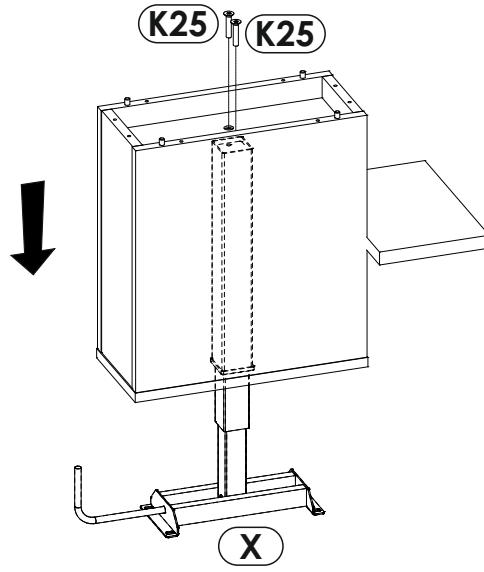
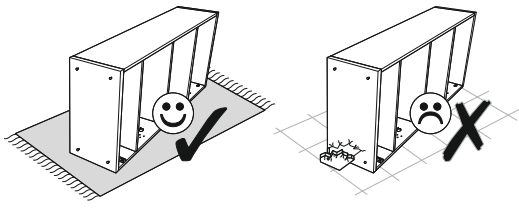




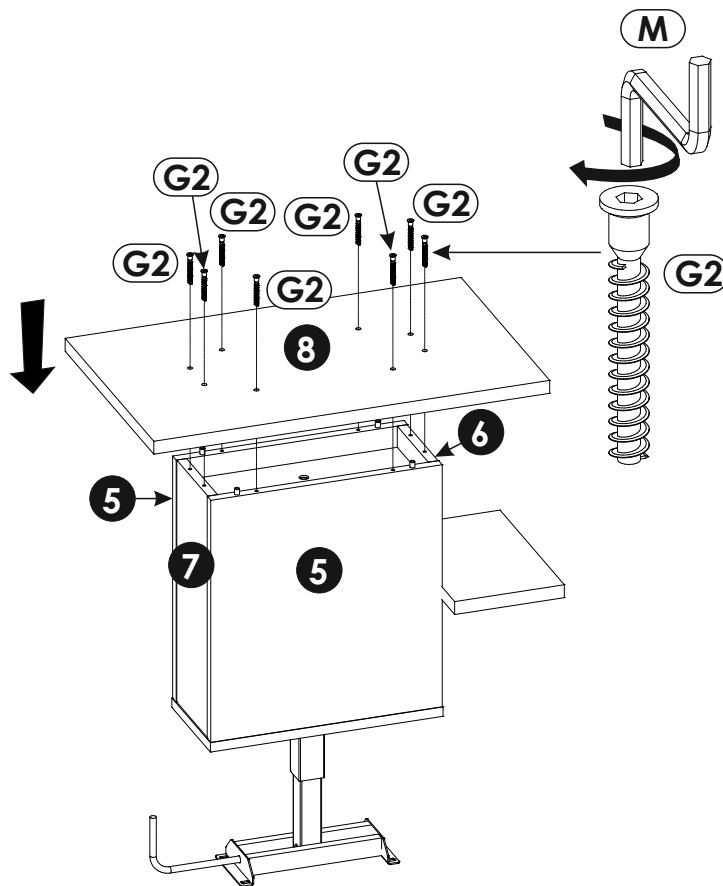
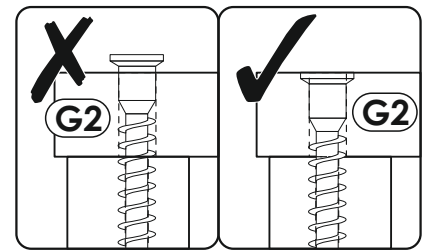
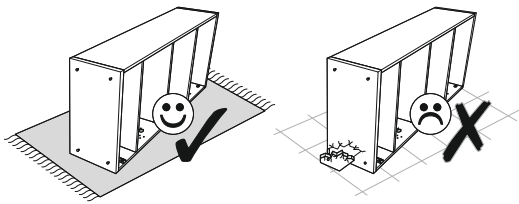




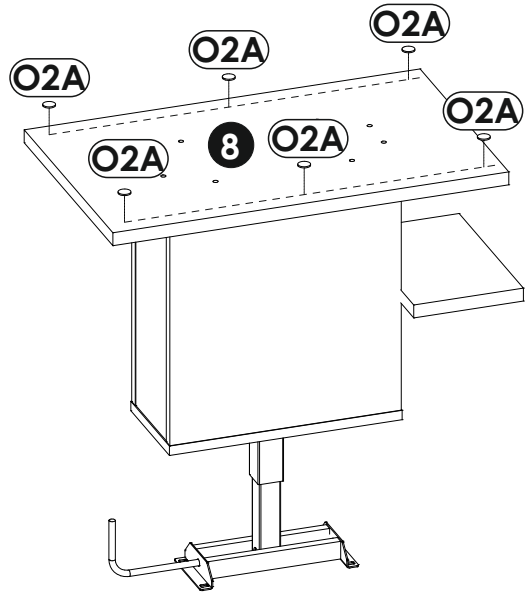
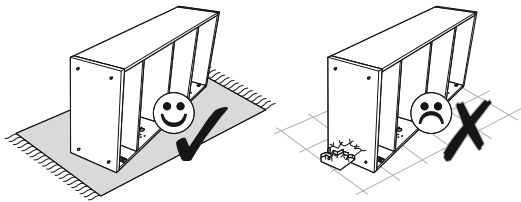
11 ▶



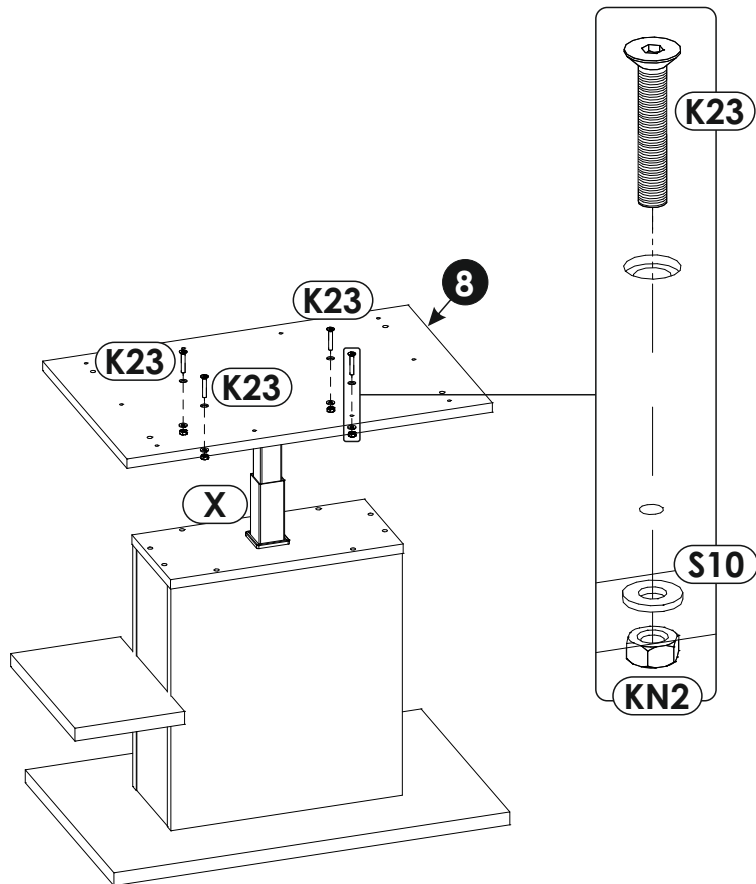
12 ▶



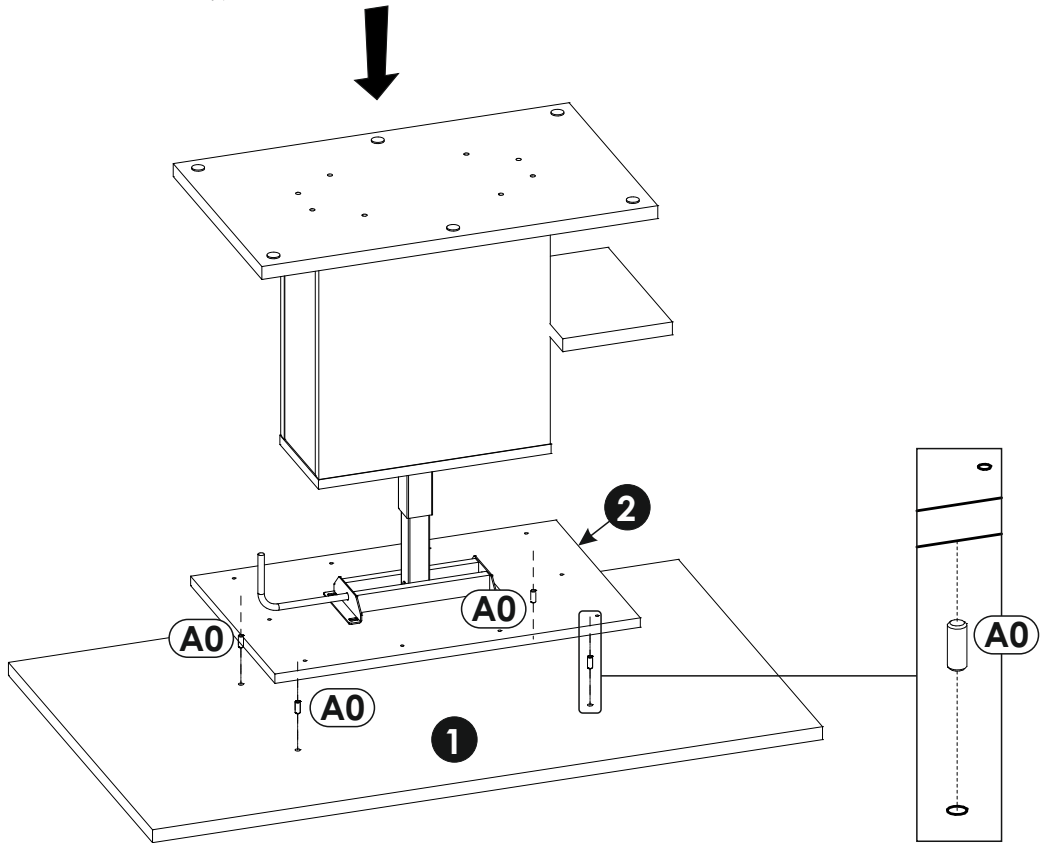
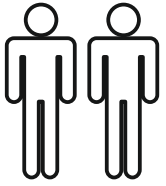
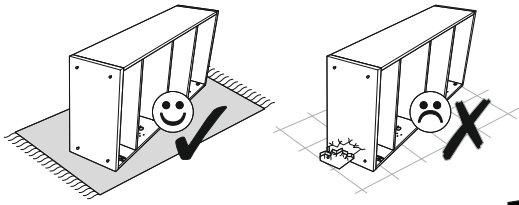
13▶



14▶



15 ▶



16 ▶

